

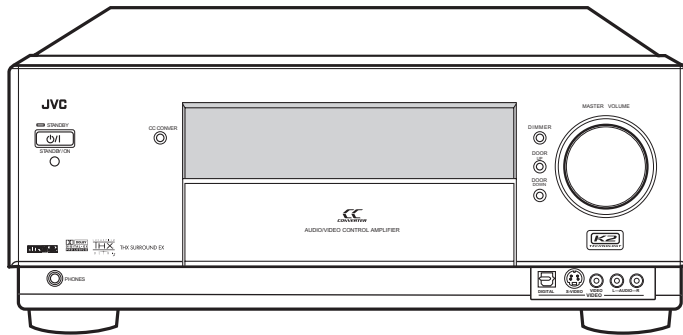
# JVC

## SERVICE MANUAL

### AUDIO/VIDEO CONTROL AMPLIFIER

# AX-V8000

Area suffix  
UP ..... Korea



THX SURROUND EX



## TABLE OF CONTENTS

1	PRECAUTION .....	1-2
2	SPECIFIC SERVICE INSTRUCTIONS .....	1-3
3	DISASSEMBLY .....	1-4
4	ADJUSTMENT .....	1-17
5	TROUBLESHOOTING .....	1-20

# SECTION 1 PRECAUTION

## 1.1 Safety Precautions

- (1) This design of this product contains special hardware and many circuits and components specially for safety purposes. For continued protection, no changes should be made to the original design unless authorized in writing by the manufacturer. Replacement parts must be identical to those used in the original circuits. Services should be performed by qualified personnel only.
- (2) Alterations of the design or circuitry of the product should not be made. Any design alterations of the product should not be made. Any design alterations or additions will void the manufacturer's warranty and will further relieve the manufacturer of responsibility for personal injury or property damage resulting therefrom.
- (3) Many electrical and mechanical parts in the products have special safety-related characteristics. These characteristics are often not evident from visual inspection nor can the protection afforded by them necessarily be obtained by using replacement components rated for higher voltage, wattage, etc. Replacement parts which have these special safety characteristics are identified in the Parts List of Service Manual. Electrical components having such features are identified by shading on the schematics and by ( $\Delta$ ) on the Parts List in the Service Manual. The use of a substitute replacement which does not have the same safety characteristics as the recommended replacement parts shown in the Parts List of Service Manual may create shock, fire, or other hazards.
- (4) The leads in the products are routed and dressed with ties, clamps, tubings, barriers and the like to be separated from live parts, high temperature parts, moving parts and/or sharp edges for the prevention of electric shock and fire hazard. When service is required, the original lead routing and dress should be observed, and it should be confirmed that they have been returned to normal, after reassembling.

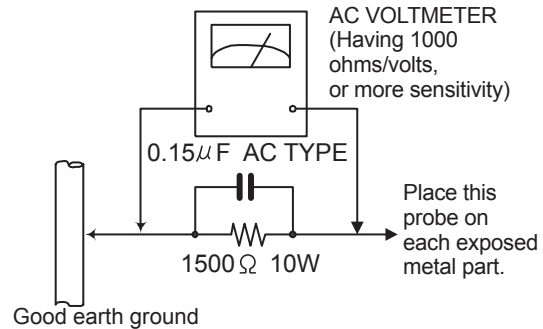
### (5) Leakage shock hazard testing

After reassembling the product, always perform an isolation check on the exposed metal parts of the product (antenna terminals, knobs, metal cabinet, screw heads, headphone jack, control shafts, etc.) to be sure the product is safe to operate without danger of electrical shock. Do not use a line isolation transformer during this check.

- Plug the AC line cord directly into the AC outlet. Using a "Leakage Current Tester", measure the leakage current from each exposed metal part of the cabinet, particularly any exposed metal part having a return path to the chassis, to a known good earth ground. Any leakage current must not exceed 0.5mA AC (r.m.s.).
- Alternate check method  
Plug the AC line cord directly into the AC outlet. Use an AC voltmeter having, 1,000 $\Omega$  per volt or more sensitivity in the following manner. Connect a 1,500 $\Omega$  10W resistor paralleled by a 0.15 $\mu$ F AC-type capacitor between an exposed metal part and a known good earth ground. Measure the AC voltage across the resistor with the AC

voltmeter.

Move the resistor connection to each exposed metal part, particularly any exposed metal part having a return path to the chassis, and measure the AC voltage across the resistor. Now, reverse the plug in the AC outlet and repeat each measurement. Voltage measured any must not exceed 0.75 V AC (r.m.s.). This corresponds to 0.5 mA AC (r.m.s.).



## 1.2 Warning

- (1) This equipment has been designed and manufactured to meet international safety standards.
- (2) It is the legal responsibility of the repairer to ensure that these safety standards are maintained.
- (3) Repairs must be made in accordance with the relevant safety standards.
- (4) It is essential that safety critical components are replaced by approved parts.
- (5) If mains voltage selector is provided, check setting for local voltage.

## 1.3 Caution

**Burrs formed during molding may be left over on some parts of the chassis.**

**Therefore, pay attention to such burrs in the case of pre-forming repair of this system.**

## 1.4 Critical parts for safety

In regard with component parts appearing on the silk-screen printed side (parts side) of the PWB diagrams, the parts that are printed over with black such as the resistor (■), diode (■) and ICP (●) or identified by the " $\Delta$ " mark nearby are critical for safety. When replacing them, be sure to use the parts of the same type and rating as specified by the manufacturer. (This regulation does not Except the J and C version)

**SECTION 2**  
**SPECIFIC SERVICE INSTRUCTIONS**

This service manual does not describe SPECIFIC SERVICE INSTRUCTIONS.

## SECTION 3 DISASSEMBLY

### 3.1 Main body section

#### 3.1.1 Removing the top cover

(See Fig.1)

- (1) From the top sides of the main body, remove the nine screws **A** attaching the top cover.
- (2) From the back side of the main body, remove the three screws **B** attaching the top cover.
- (3) Take out the top cover upward in the direction of the arrow.

#### 3.1.2 Removing the side panel (L) & side panel (R) & stay bkt

(See Figs.1 and 2)

- Prior to performing the following procedure, remove the top cover.
  - (1) From the left sides of the main body, remove the four screws **C** attaching the side panel (L). (See fig.1)
  - (2) From the right sides of the main body, remove the three screws **C** attaching the side panel (R). (See fig.1)
  - (3) From the top side of the main body, remove the four screws **D** attaching the side panel (L) and the side panel (R). (See fig.2)
  - (4) Remove the four screws **E** attaching the stay bkt, and take out the stay bkt. (See fig.2)

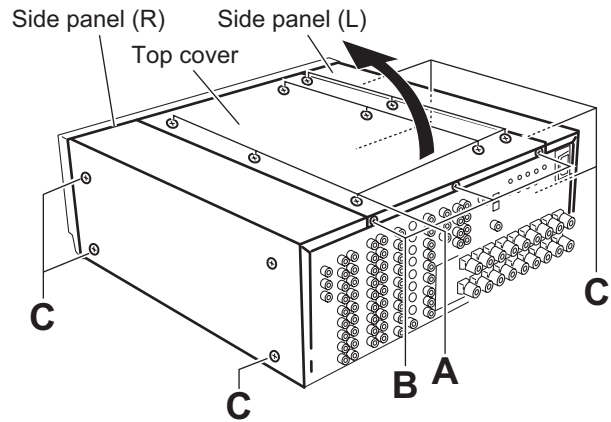


Fig.1

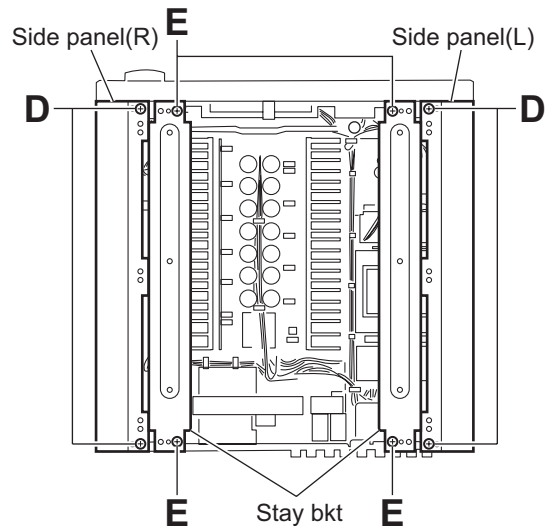


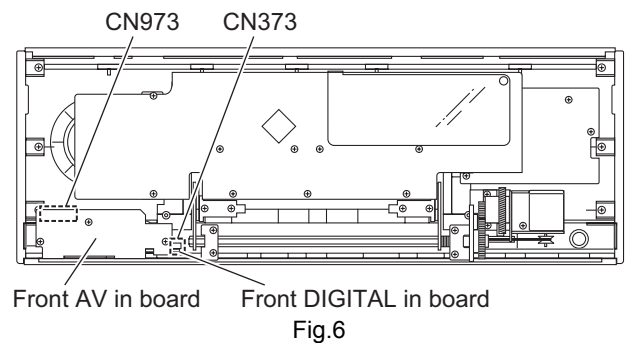
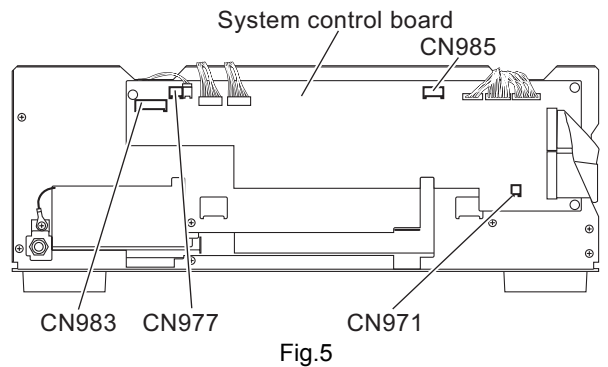
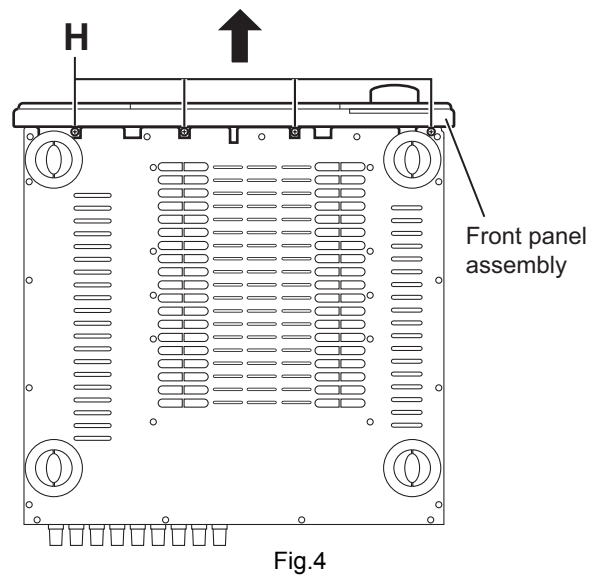
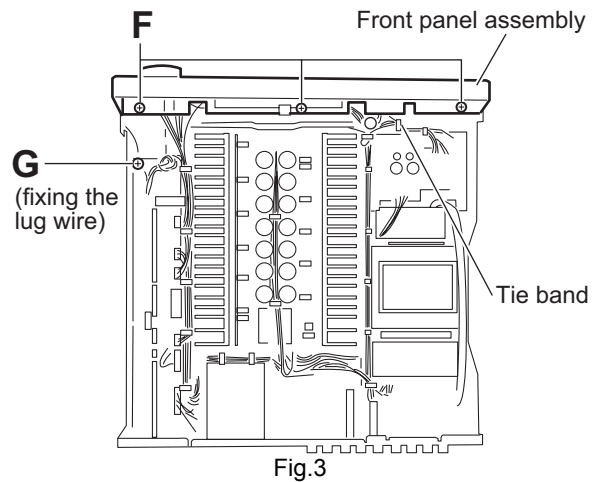
Fig.2

### 3.1.3 Removing the front panel assembly (See Figs.3 to 6)

- Prior to performing the following procedure, remove the top cover, side panels and stay bkt.
  - (1) From the top side of the main body, cut off the tie band fixing the wire. (See fig.3)
  - (2) Remove the three screws **F** attaching the front panel assembly. (See fig.3)
  - (3) Remove the screw **G** attaching the lug wire. (See fig.3)
  - (4) From the bottom side of the main body, remove the four screws **H** attaching the front panel assembly and take out the front panel assembly forward. (See fig.4)
  - (5) From the front side of the main body, disconnect the wire from the connectors [CN971](#), [CN977](#), [CN983](#) and [CN985](#) on the system control board. (See fig.5)
  - (6) From the reverse side of the front panel assembly, disconnect the wire from the connector [CN973](#) on the front AV in board. (See fig.6)
  - (7) Disconnect the wire from the connector [CN373](#) on the front DIGITAL in board. (See fig.6)

#### Reference:

When attaching the screws **F** and screw **G**, attach the lug wire with it.



### 3.1.4 Removing the rear panel (See Fig.7)

- Prior to performing the following procedure, remove the top cover, side panels and stay bkt.
  - (1) From the top side on the main body, remove the protect cover and the solders from the two solder points on the AC inlet.
  - (2) From the bottom side on the main body, remove the four screws **J** attaching the rear panel.
  - (3) From the back side on the main body, remove the forty-six screws **K**, two screws **L** and three screws **M** attaching each board to the rear panel.

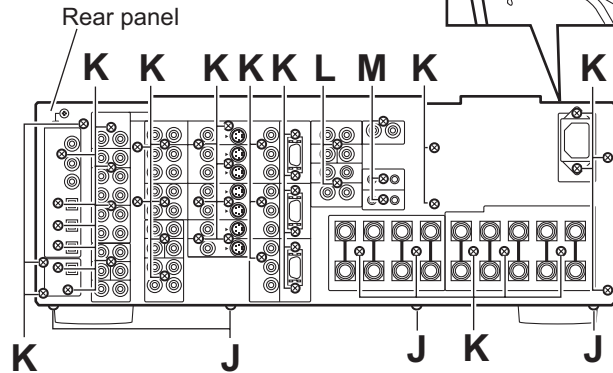
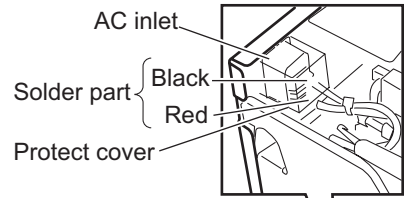


Fig.7

### 3.1.5 Removing the audio signal 3 board & compu link board (See Figs.7 and 8)

- Prior to performing the following procedure, remove the top cover, side panels and stay bkt.
  - (1) From the top side of the main body, cut off the tie band fixing the wire. (See fig.8)
  - (2) Disconnect the wire from the connector [CN201](#) on the audio signal 1 board. (See fig.8)
  - (3) From the back side of the main body, remove the two screws **L** attaching the audio signal 3 board to the rear panel. (See fig.7)
  - (4) From the top side of the main body, disconnect the wire from the connector [CN302](#) on the compu link board. (See fig.8)
  - (5) Disconnect the wire from the connector [CN207](#) on the audio signal 1 board. (See fig.8)
  - (6) From the back side of the main body, remove the three screws **M** attaching the compu link board to the rear panel. (See fig.7)

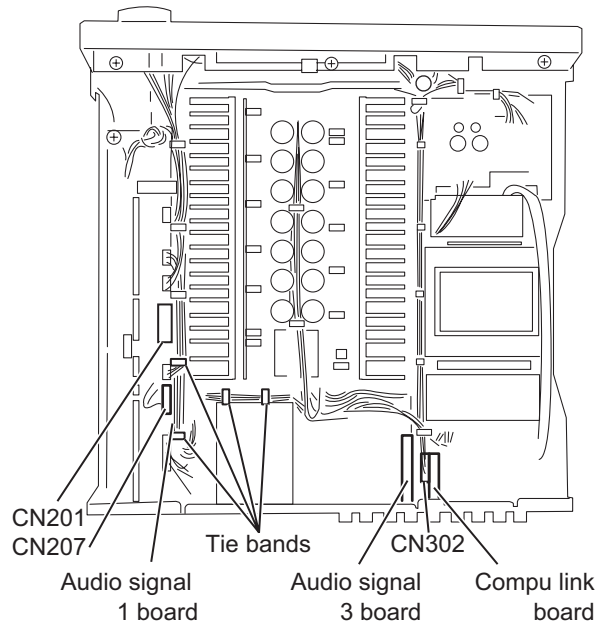


Fig.8

### 3.1.6 Removing the Y/C separator board (See Fig.9)

- Prior to performing the following procedure, remove the top cover, side panels and stay bkt.
  - (1) From the top side of the main body, cut off the tie band fixing the wire.
  - (2) Disconnect the connectors [CN481](#) and [CN482](#) on the Y/C separator board, and take out the Y/C separator board upward.

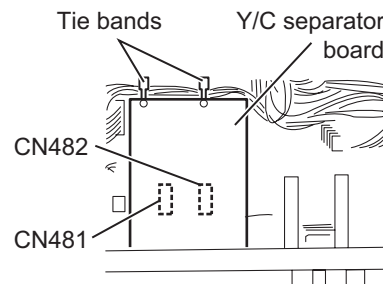


Fig.9

### 3.1.7 Removing the system control board (See Figs.10 and 11)

- Prior to performing the following procedure, remove the top cover, side panels, stay bkt and front panel assembly.
  - (1) From the top side of the main body, cut off the tie bands fixing the wires. (See fig.10)
  - (2) Disconnect the wire from the connector **CN45** on the power 2 board . (See fig.10)
  - (3) Disconnect the wire from the connector **CN25** on the power/ fuse board. (See fig.10)
  - (4) Disconnect the wire from the connector **CN234**, **CN208** on the audio signal 1 board. (See fig.10)
  - (5) From the front side of the main body, disconnect the wires from the connector **CN963**, **CN964** and **CN981** on the system control board. (See fig.11)
  - (6) Remove the three plastic rivet, and take out the system control board. (See fig.11)

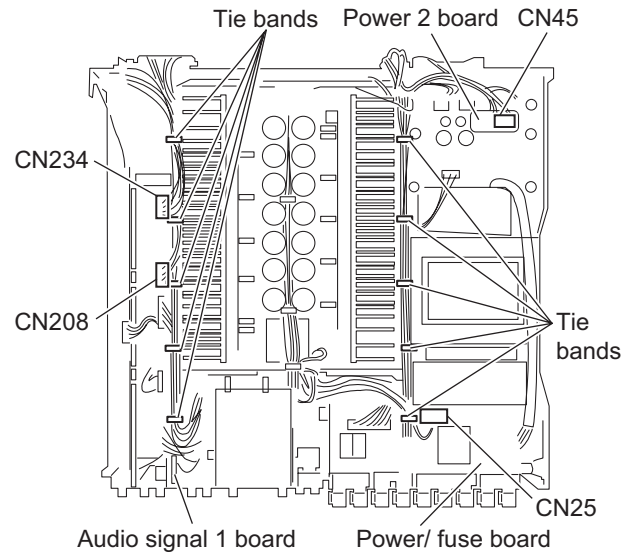


Fig.10

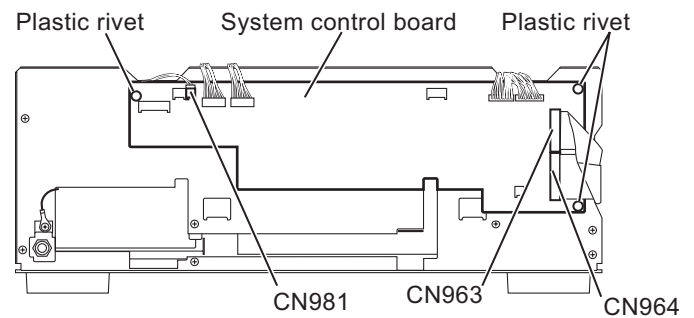


Fig.11

### 3.1.8 Removing the DSP 1 board & DSP 2 board & shield cover (See Fig.12)

- Prior to performing the following procedure, remove the top cover, side panels, stay bkt, front panel assembly and rear panel.
  - (1) From the top side of the main body, disconnect the connector **CN631** on the DSP 2 board.
  - (2) Disconnect the connector **CN203** on the audio signal 1 board, and cut off the tie bands fixing the wire.
  - (3) Remove the two plastic rivet, and disconnect the connector **CN633**, **CN643** on the DSP 2 board, and disconnect **CN635** on the DSP 1 board.
  - (4) Remove the screw **N** attaching the barrier to the shield cover, and take out the shield cover.

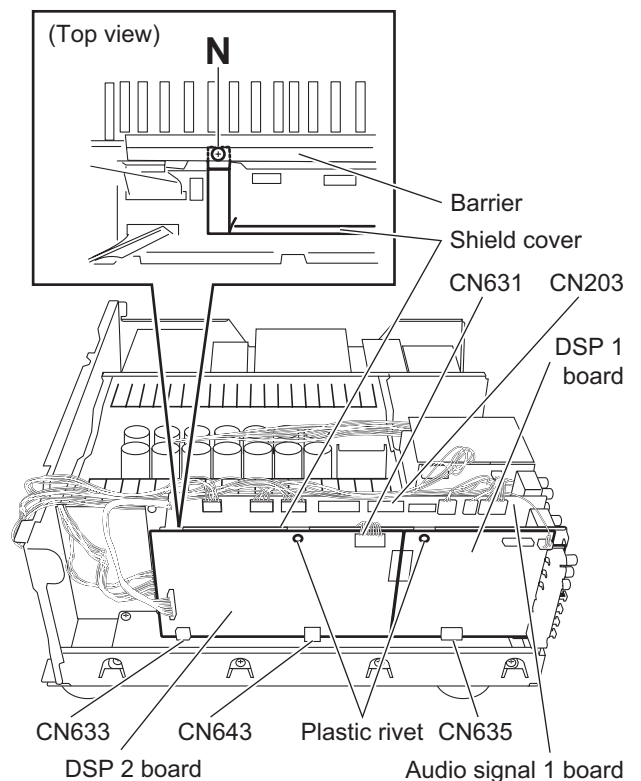
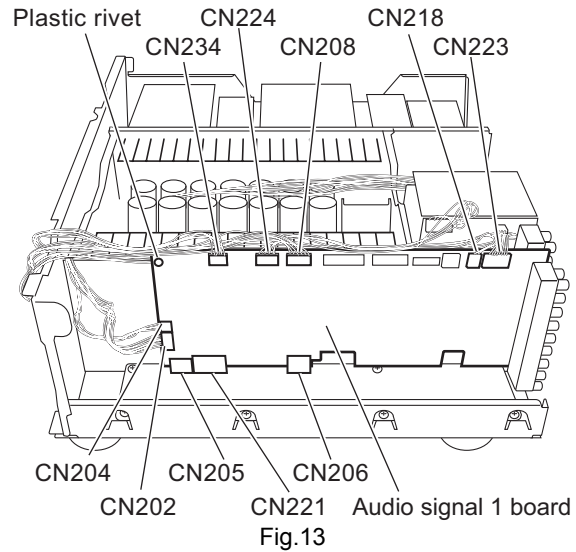


Fig.12

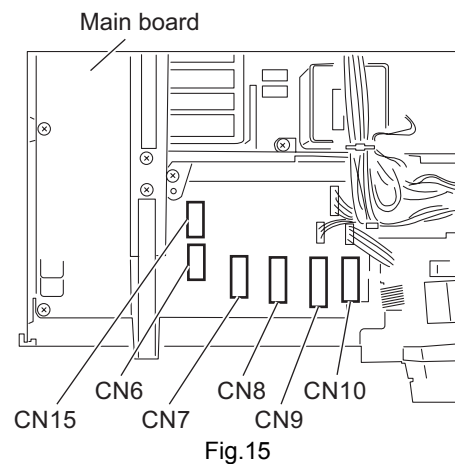
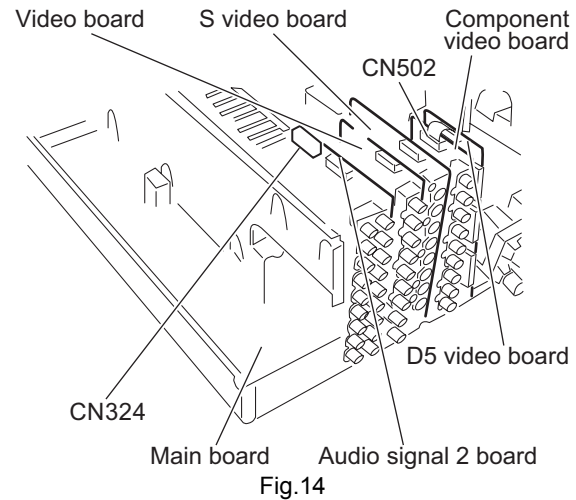
### 3.1.9 Removing the audio signal 1 board (See Fig.13)

- Prior to performing the following procedure, remove the top cover, side panels, stay bkt, front panel assembly and rear panel, DSP 1 board, DSP 2 board and shield cover.
  - (1) From the top side of the main body, disconnect the wires from the connectors [CN202](#), [CN204](#), [CN234](#), [CN224](#), [CN208](#), [CN218](#) and [CN223](#) on the audio signal 1 board.
  - (2) Remove the plastic rivet, and disconnect the connectors [CN205](#), [CN221](#) and [CN206](#) on the audio signal 1 board.
  - (3) Take out the audio signal 1 board.



### 3.1.10 Removing the audio signal 2 board & video board & S video board & component video board & D5 video board (See Figs.14 and 15)

- Prior to performing the following procedure, remove the top cover, rear panel, front panel assembly, Y/C separator board, DSP 1 board, DSP 2 board, shield cover and audio signal 1 board.
  - (1) From the top side of the main body, disconnect the wire from the connector [CN324](#) on the audio signal 2 board. (See fig.14)
  - (2) Disconnect the audio signal 2 board from the connector [CN15](#) and [CN6](#) on the main board. (See fig.15)
  - (3) Disconnect the video board from the connector [CN7](#) on the main board. (See figs.14 and 15)
  - (4) Disconnect the S video board from the connector [CN8](#) on the main board. (See figs.14 and 15)
  - (5) Disconnect the wire from the connector [CN502](#) on the component video board. (See fig.14)
  - (6) Disconnect the component video board from the connector [CN9](#) on the main board. (See fig.15)
  - (7) Disconnect the D5 video from the connector [CN10](#) on the main board. (See figs.14 and 15)





### 3.1.11 Removing the main board (See Figs.16 and 17)

- Prior to performing the following procedure, remove the top cover, rear panel, front panel assembly, Y/C separator board, DSP 1 board, DSP 2 board, shield cover, audio signal 1 board, audio signal 2 board, video board, S video board, component video board and D5 video board.
  - (1) From the top side of the main body, cut off the tie bands fixing the wire. (See fig.16)
  - (2) Disconnect the wire from the connector [CN62](#) on the regulator board. (See fig.16)
  - (3) Disconnect the wire from the [CN44](#) on the power 2 board . (See fig.16)
  - (4) Disconnect the wire from the connector [CN743](#) on the speaker relay board. (See fig.17)
  - (5) Disconnect the card wire from the connector [CN1](#), [CN2](#) and the wire from the connector [CN11](#) on the main board. (See fig.16)
  - (6) Remove the seven screws **P** attaching the main board, and take out the main board. (See fig.16)

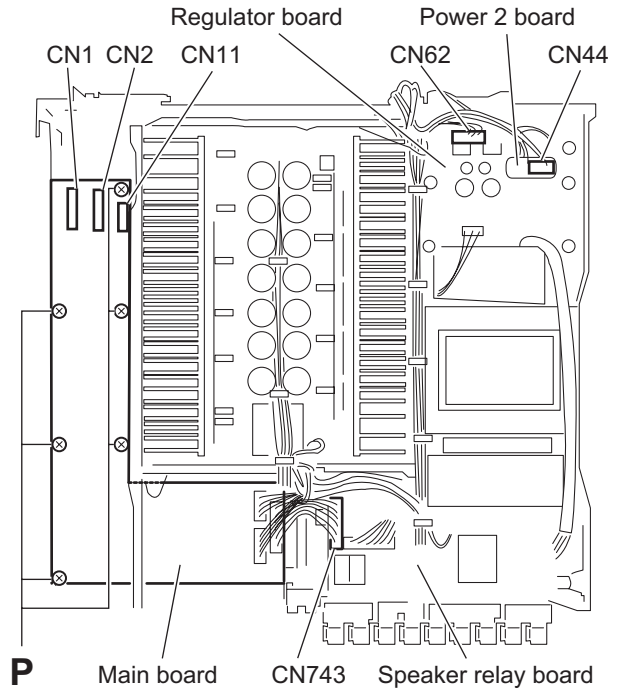


Fig.16

### 3.1.12 Removing the speaker relay board (See Fig.17)

- Prior to performing the following procedure, remove the top cover, side panels, stay bkt and rear panel.
  - (1) Disconnect the wire from the connector [CN741](#), [CN742](#) and [CN743](#) on the speaker relay board.

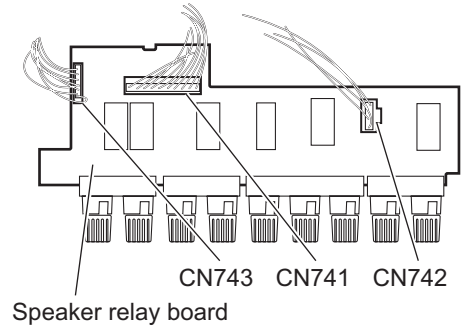


Fig.17

### 3.1.13 Removing the regulator board (See Fig.18)

- Prior to performing the following procedure, remove the top cover, side panels and stay bkt.
  - (1) From top side of the main body, disconnect the wires from the connectors [CN61](#), [CN62](#), [CN63](#), [CN64](#) and [CN65](#) on the regulator board.
  - (2) Disconnect the wires from the connectors [CN44](#) and [CN45](#) on the power 2 board.
  - (3) Remove the six screws **Q** attaching the regulator board.

#### Reference:

When attaching the screw **Q**, attach the lug wire with it.

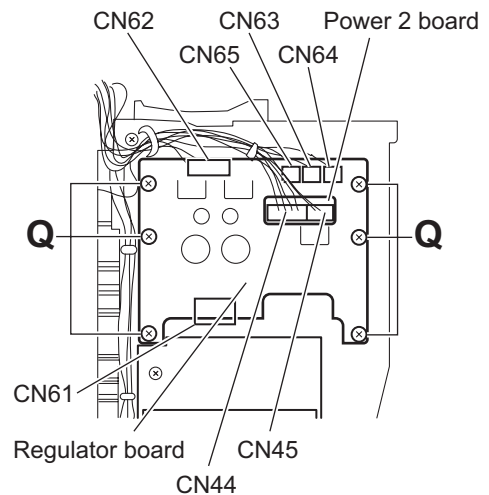


Fig.18

### 3.1.14 Removing the power transformer 1 with the power 2 board (See Fig.19)

- Prior to performing the following procedure, remove the top cover, side panels, stay bkt and regulator board.
  - (1) From top side of the main body, disconnect the wire from the connector [CN46](#) and [CN47](#) on the power 2 board.
  - (2) Remove the two screws **R** attaching the power transformer 1.

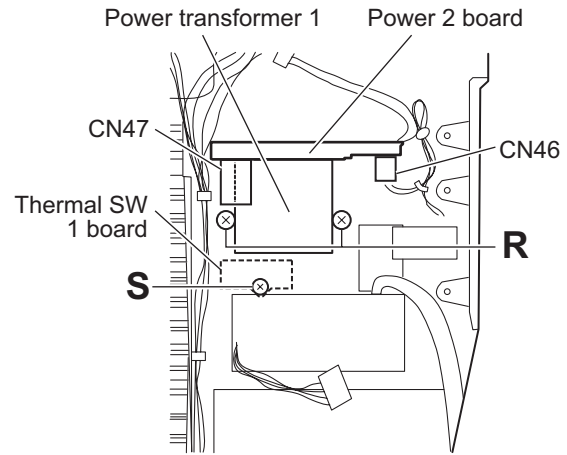


Fig.19

### 3.1.15 Removing the thermal SW 1 board (See Fig.19)

- Prior to performing the following procedure, the top cover, side panels, stay bkt and regulator board.
  - (1) From top side of the main body, remove the screw **S** attaching the thermal SW 1 board.

### 3.1.16 Removing the power transformer 2 (See Figs.20 and 21)

- Prior to performing the following procedure, remove the top cover, side panels, stay bkt and regulator board.
  - (1) From the top side of the main body, disconnect the wire from the connector [CN701](#) on the power amp. board. (See fig.20)
  - (2) Remove the solder points [PW81](#) and [PW82](#) on the power trans 1 board. (See fig.21)
  - (3) Remove the four screws **T** attaching the power transformer 2. (See fig.21)

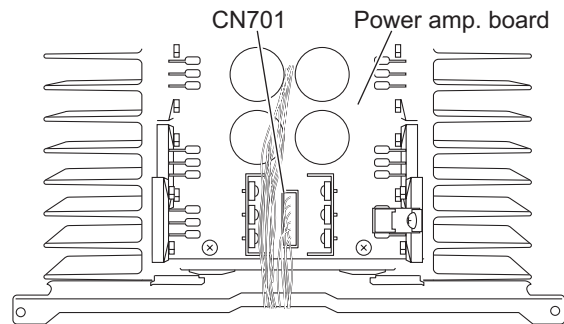


Fig.20

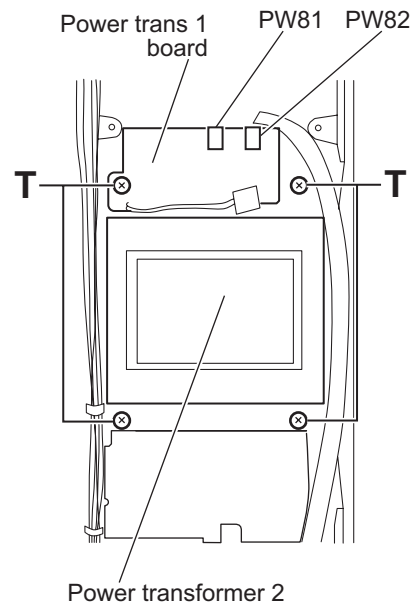


Fig.21

### 3.1.17 Removing the power transformer 3 with the power 1 board (See Fig.22)

- Prior to performing the following procedure, remove the top cover, side panels, stay bkt, regulator board, power transformer 1 and power transformer 2.
  - (1) From the top side of the main body, disconnect the wire from the connector [CN41](#) on the power 1 board.
  - (2) Remove the two screws **U** attaching the power transformer 3.

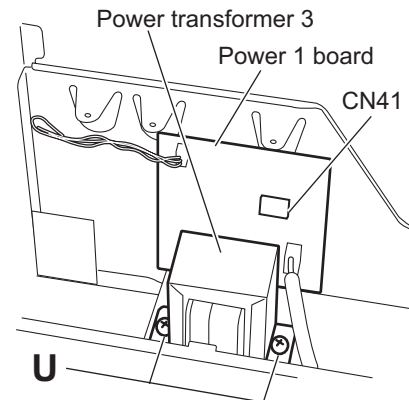


Fig.22

### 3.1.18 Removing the power/ fuse board (See Fig.23)

- Prior to performing the following procedure, remove the top cover, side panels, stay bkt, rear panel, regulator board and power transformer 2.
  - (1) From the top side of the main body, disconnect the wire from the connector [CN25](#) on the power/ fuse board.
  - (2) Remove the four screws **V** attaching the power/ fuse board.
  - (3) Remove the solder from the points [PW21](#), [PW22](#), [PW23](#) and [PW24](#) on the power/ fuse board.

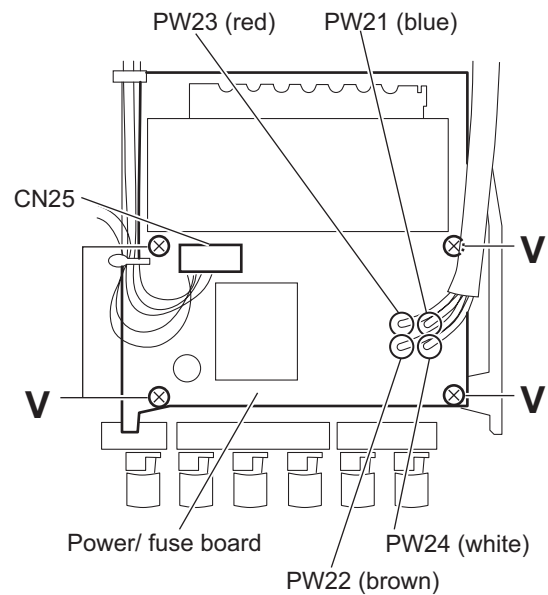


Fig.23

**3.1.19 Removing the head phone board**  
**(See Figs.24 and 25)**

- Prior to performing the following procedures, remove the top cover, side panels, stay bkt and front panel assembly.
  - (1) From the top side of the main body, disconnect the wires from the connector **CN738** on the power amp. board. (See fig.25)
  - (2) From the front side of the main body, remove the nut **a** fixing the head phone board. (See fig.24)
  - (3) Remove the screw **W** attaching the lug wire and bracket. (See fig.24)

**Reference:**

When attaching the screw **W**, attach the lug wire with it.

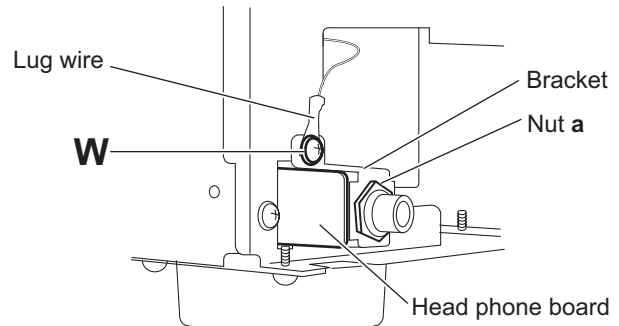


Fig.24

**3.1.20 Removing the power amp. assembly**  
**(See Figs.25 and 26)**

- Prior to performing the following procedures, remove the top cover, side panels, stay bkt, rear panel, front panel assembly, system control board, DSP 1 board, DSP 2 board, audio signal 1 board, audio signal 2 board, video board, S video board, V compo 1 board and speaker relay board.
  - (1) From top side of the main body, remove the three screws **X** fixing the barriers, and remove the tow barriers. (See fig.25)
  - (2) Remove the eight screws **Y** attaching the power amp. assembly. (See figs.25 and 26)
  - (3) Take out the power amp. assembly in the direction of the arrow. (See fig. 26)

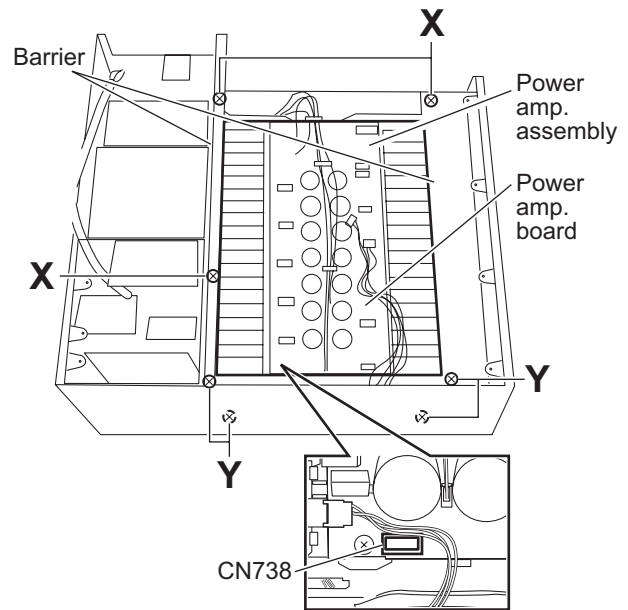


Fig.25

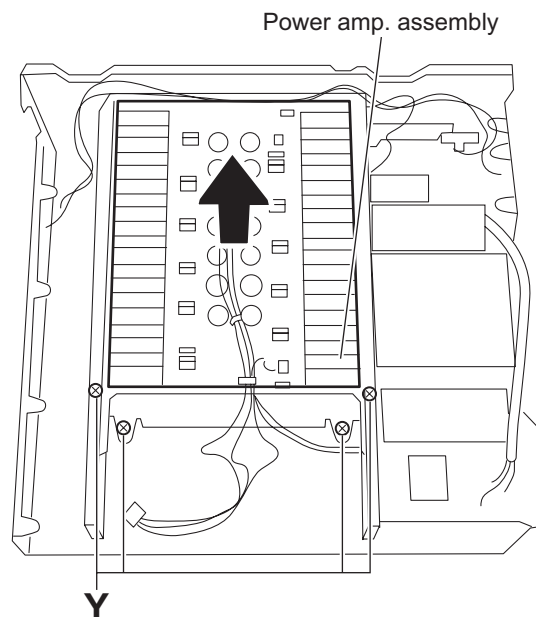


Fig.26

### 3.2 Power amp. assembly section

- Remove the power amp. assembly from the main body.  
(See "Removing the power amp. assembly".)

#### 3.2.1 Removing the relay board & Rch amp. board & Lch amp. board & Cch amp. board & SL/SRch amp. board (See Figs.1 to 3)

- From the top side of the amp. assembly, disconnect the wires from the two connectors on each thermal compensation board. (See fig.1)
- From the bottom side of the amp. assembly, remove the two screws **A** attaching the relay board. (See fig.2)
- Disconnect the wires from the five connectors on each thermal compensation board. (See fig.2)
- Disconnect the connectors [CN712](#), [CN713](#), [CN812](#), [CN813](#), [CN772](#), [CN773](#), [CN752](#) and [CN753](#) on the each amp. board of Lch, Cch, SL/SRch and Rch from the power amp. board. (See fig.2)
- From the top side of the relay board, disconnect the each amp. board from the connectors [CN721](#), [CN821](#), [CN781](#) and [CN761](#) on the relay board. (See fig.3)

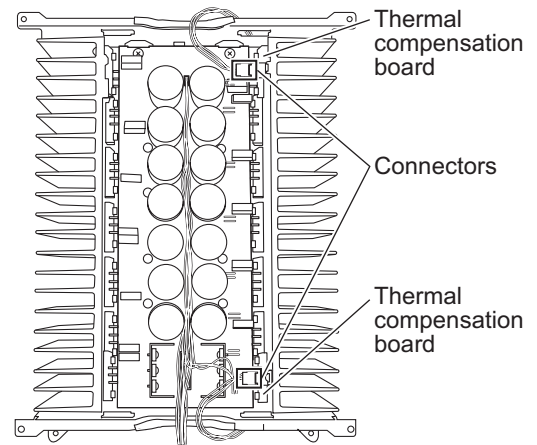


Fig.1

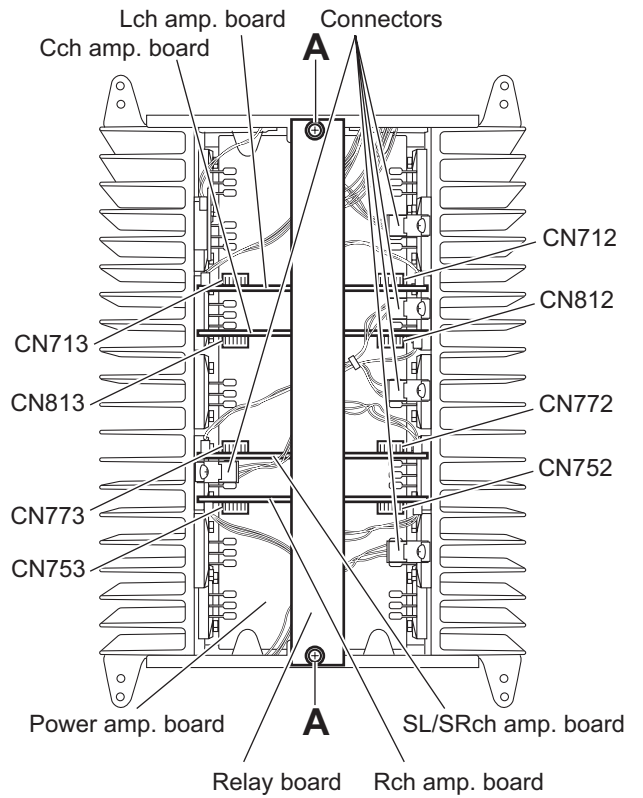


Fig.2

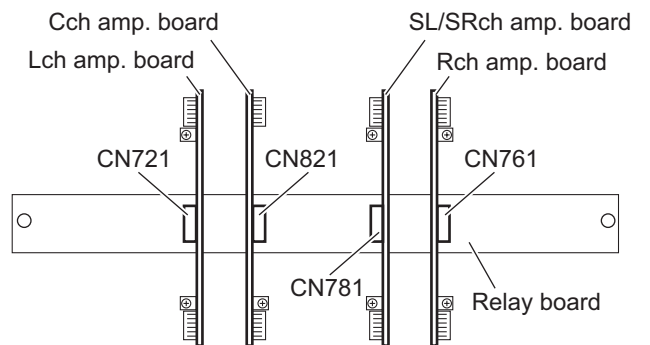


Fig.3

**3.2.2 Removing the thermal SW 2 board  
(See Fig.4)**

- Prior to performing the following procedure, remove the relay board and the each amp. board of Lch, Cch, SL/SRch, Rch.
  - (1) From the top side of the amp. assembly, remove the screw **B** attaching the thermal SW 2 board.

**3.2.3 Removing the heat sink  
(See Figs.4 to 6)**

- Prior to performing the following procedure, remove the relay board and the each amp. board of Lch, Cch, SL/SRch, Rch.
  - (1) From the both sides of the amp. assembly, remove the eight screws **C** attaching the heat sink. (See fig.4)
  - (2) From the top side of the amp. assembly, remove the eight screws **D** attaching the power ICs. (See fig.5)
  - (3) From the bottom side of the amp. assembly, remove the twenty screws **D** attaching the power ICs. (See fig.6)

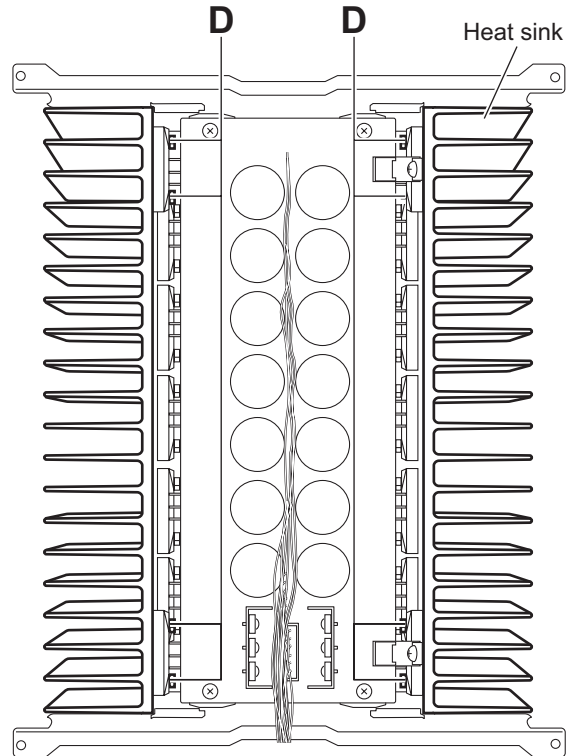
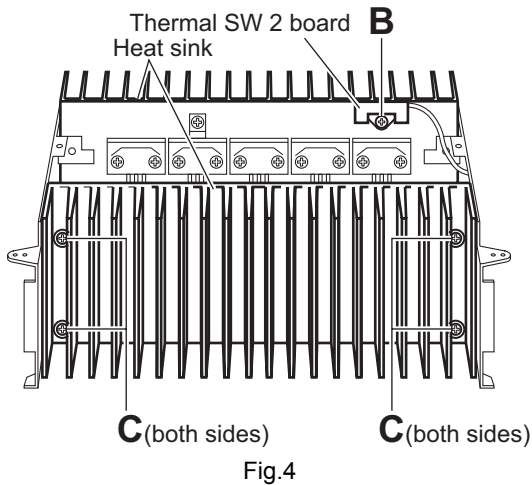


Fig.5

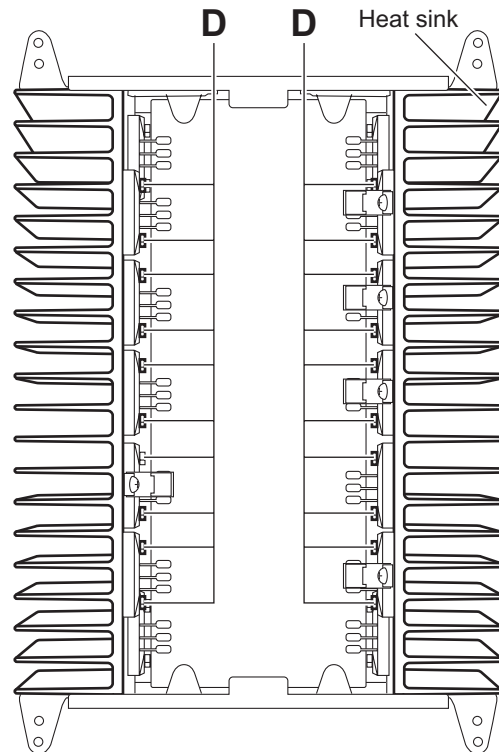


Fig.6

### 3.3 Front panel assembly section

- Remove the front panel assembly from the main body.  
(See "Removing the front panel assembly".)

#### 3.3.1 Removing the FL display board & front AV in board (See Figs.1 and 2)

- (1) From the front side of the front panel assembly, pull out the volume knob to the forward and remove the nut **a** attaching the FL display board. (See fig.1)
- (2) From the reverse side of the front panel assembly, remove the three screws **A** attaching the front AV in board and take out the front AV in board. (See fig.2)
- (3) Remove the nine screws **B** attaching the FL display board. (See fig.2)
- (4) Disconnect the wires from the connectors [CN969](#), [CN975](#) and [CN982](#) on the FL display board. (See fig.2)

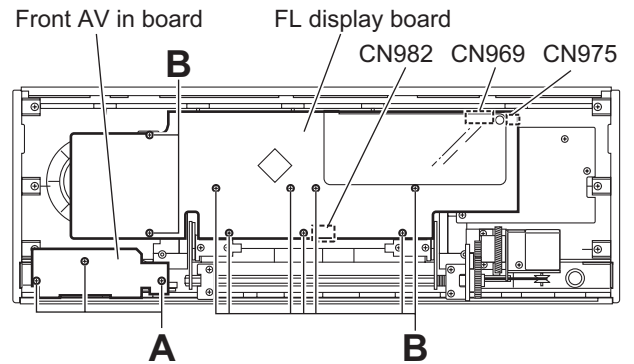
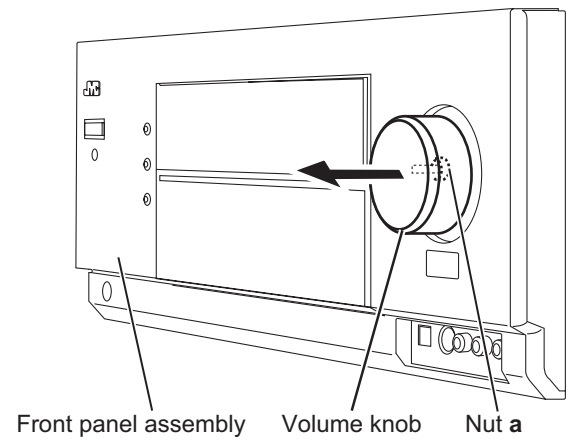


Fig.2

### 3.3.2 Removing the power switch board & front DIGITAL in board & motor assembly (See Fig.3)

- Prior to performing the following procedure, remove the FL display board.
  - (1) From the reverse side of the front panel assembly, remove the four screws **C** attaching the power switch board and take out the power switch board.
  - (2) Remove the screw **D** attaching the front DIGITAL in board and take out the front DIGITAL in board.
  - (3) Remove the three screws **E** attaching the motor assembly on the back of the front panel assembly.
  - (4) Remove the belt and the two screws **F** attaching the motor assembly.

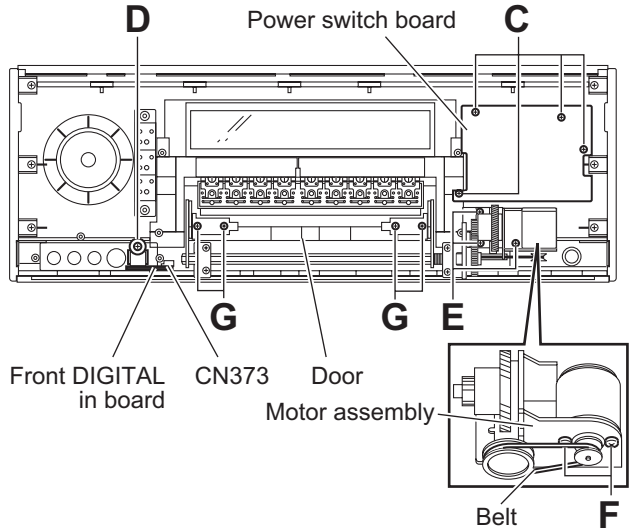


Fig.3

### 3.3.3 Removing the door input board (See Figs.3 and 4)

- Prior to performing the following procedure, remove the FL display board.
  - (1) From the reverse side of the front panel assembly, remove the four screws **G** attaching the door and take out the door to the forward. (See fig.3)
  - (2) From the reverse side of the door, remove the six screws **H** attaching the door input board. (See fig.4)

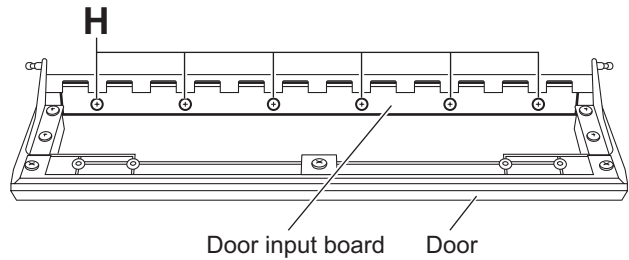


Fig.4



## SECTION 4 ADJUSTMENT

### 4.1 Adjustment of idling current

	Measuring point	Alignment point	Measuring condition
Lch	<a href="#">B903</a> & <a href="#">B904</a>	<a href="#">VR701</a>	No load and No signal. Rated line voltage SURROUND : OFF Room temperature : 20 to 25 °C
Rch	<a href="#">B911</a> & <a href="#">B912</a>	<a href="#">VR751</a>	
Cch	<a href="#">B907</a> & <a href="#">B908</a>	<a href="#">VR801</a>	
SLch	<a href="#">B907</a> & <a href="#">B908</a>	<a href="#">VR771</a>	
SRch	<a href="#">B909</a> & <a href="#">B910</a>	<a href="#">VR772</a>	
SBLch	<a href="#">B901</a> & <a href="#">B902</a>	<a href="#">VR702</a>	
SBRch	<a href="#">B913</a> & <a href="#">B914</a>	<a href="#">VR752</a>	

#### Attention:

This adjustment does not obtain a correct adjustment value immediately after the amplifier is used (state that an internal temperature has risen).

Please adjust immediately after using the amplifier after turning off the power supply of the amplifier and falling an internal temperature.

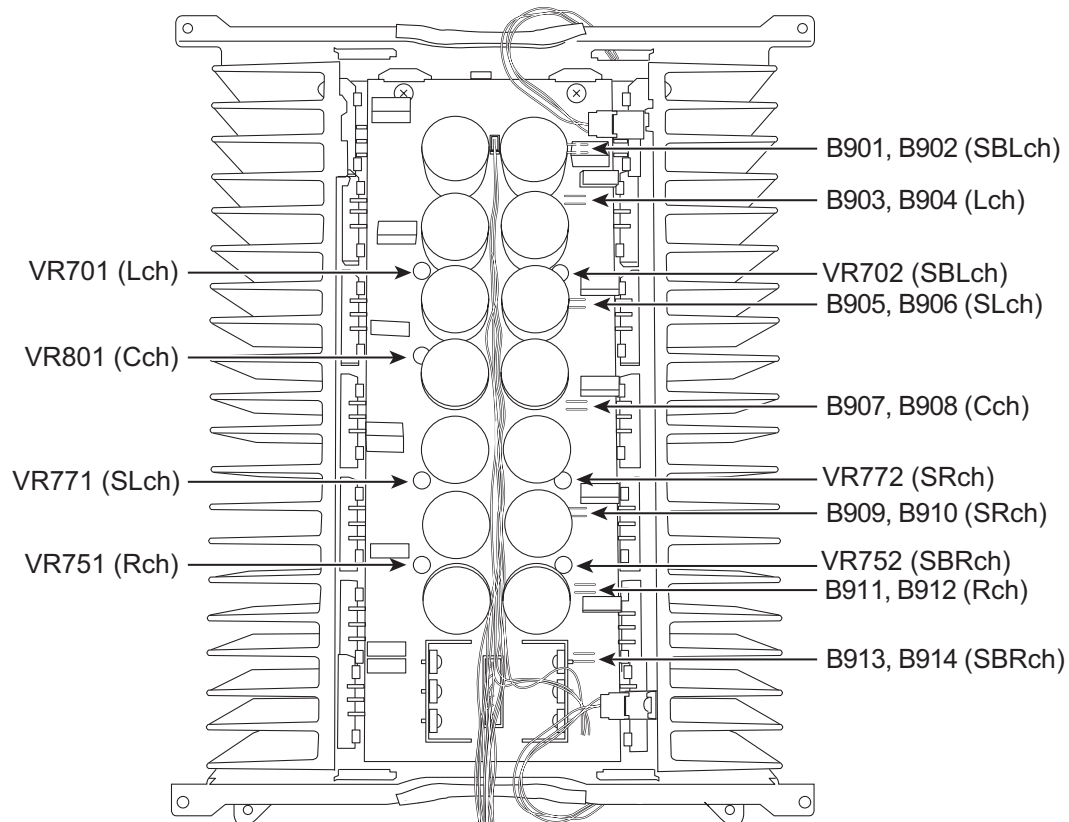
#### Adjustment method

- (1) Prior to turning the power ON, fully turn the adjusting resistor ([VR701](#), [VR702](#), [VR751](#), [VR752](#), [VR771](#), [VR772](#), [VR801](#)) counterclockwise direction and connect the DC voltmeter to the measuring terminal ([B901-B902](#), [B903-B904](#), [B905-B906](#), [B907-B908](#), [B909-B910](#), [B911-B912](#), [B913-B914](#)).
- (2) Adjust the resistor so that the measured value becomes 2.0mV just after the power supply is turned on.
- (3) Adjust the resistor so that the measured value becomes 2.5mV more than 60 seconds after the power supply is turned on.
- (4) After stability is 1.0-4.0mV.

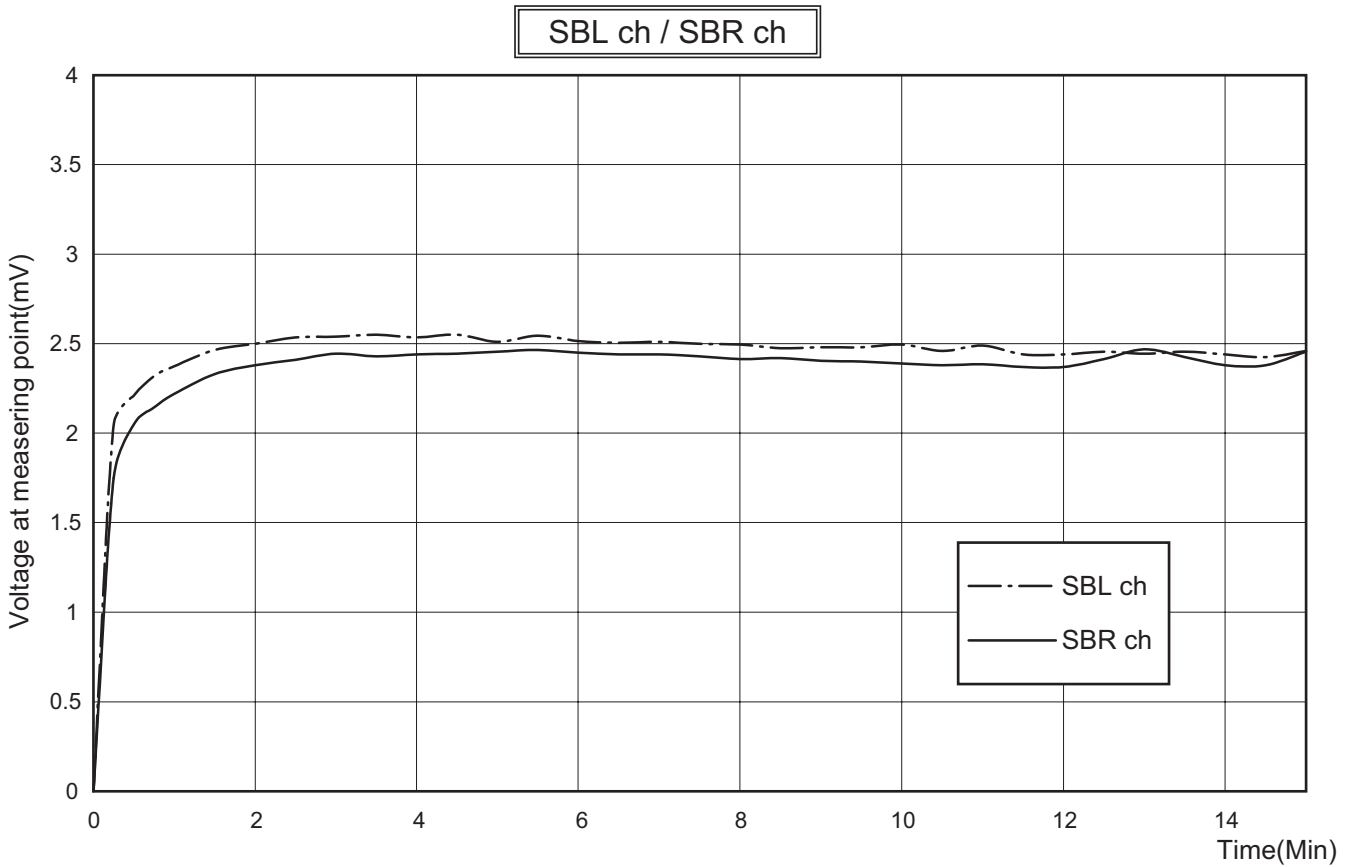
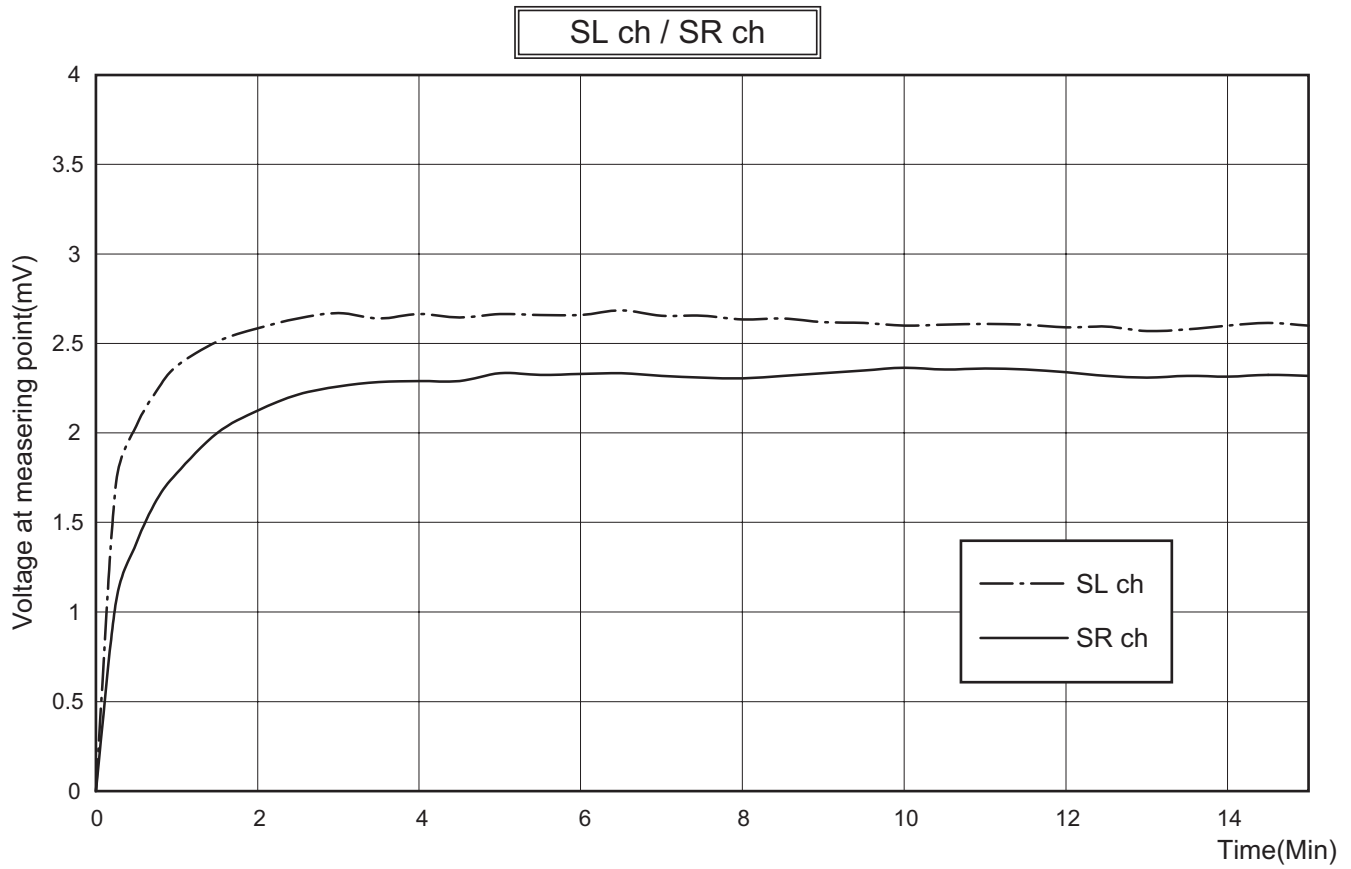
Refer to following page "Idling Current graph".

#### NOTE:

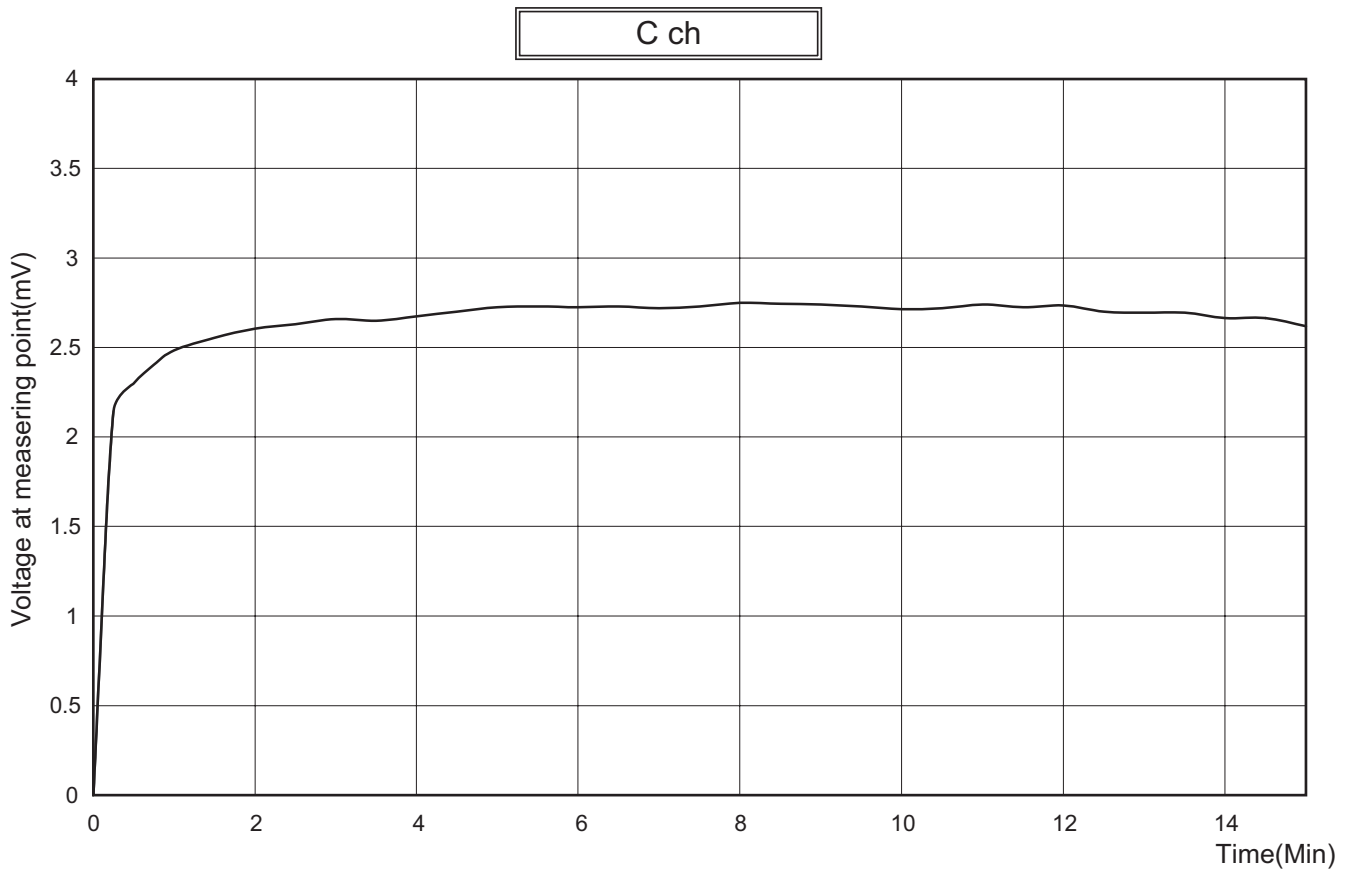
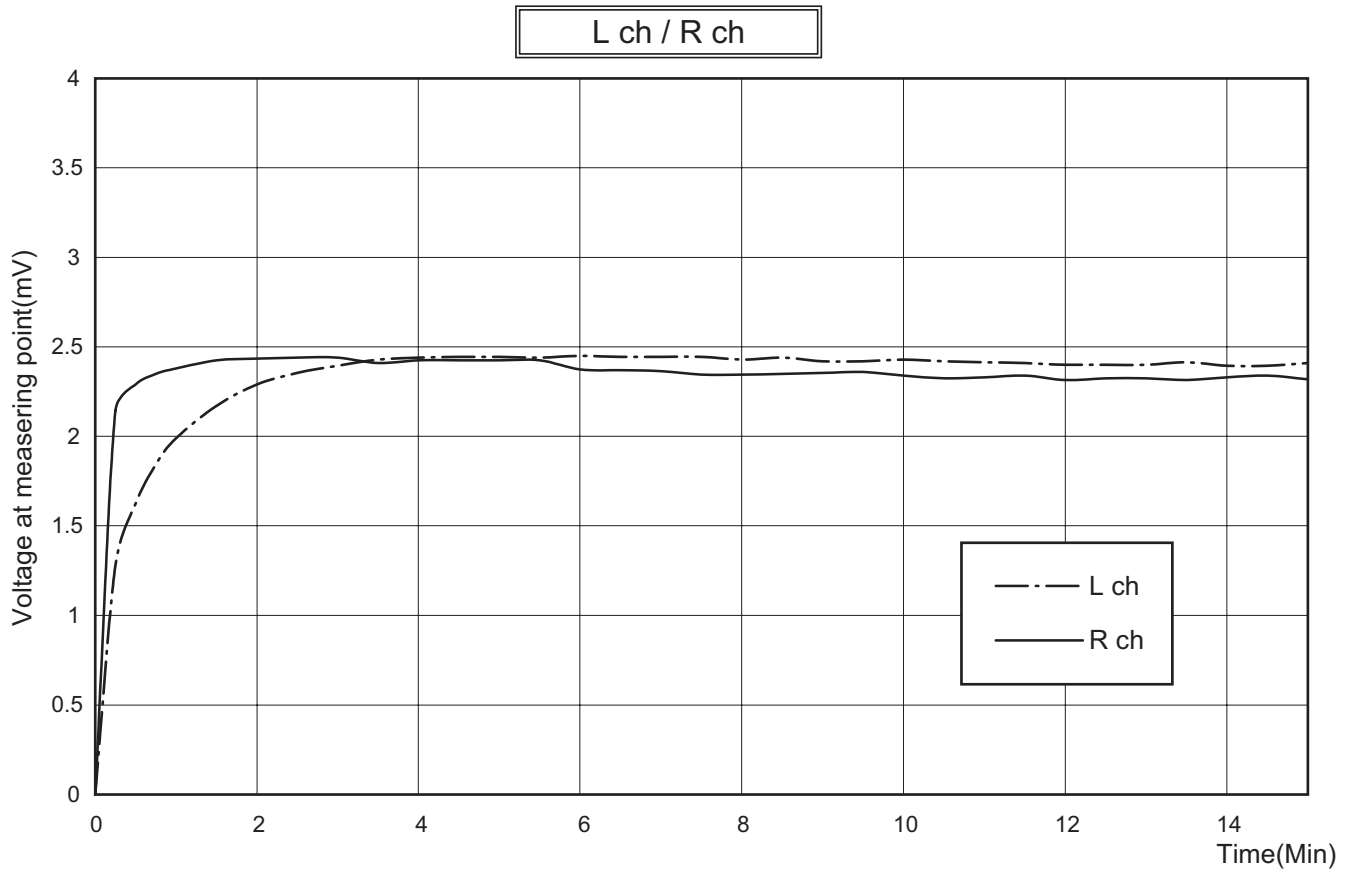
It is not abnormal though the idling current might not become 0mA even if it is finished to turn variable resistance ([VR701](#), [VR702](#), [VR751](#), [VR752](#), [VR771](#), [VR772](#), [VR801](#)) in the direction of counterclockwise.



## 4.2 Idling Current graph (1/2)



### 4.3 Idling Current graph (2/2)



## **SECTION 5 TROUBLESHOOTING**

This service manual does not describe TROUBLESHOOTING.





# JVC

VICTOR COMPANY OF JAPAN, LIMITED

AV & MULTIMEDIA COMPANY AUDIO/VIDEO SYSTEMS CATEGORY 10-1,1chome,Ohwatari-machi,Maebashi-city,371-8543,Japan

(No.MB177)



Printed in Japan  
WPC

# JVC

# SCHEMATIC DIAGRAMS

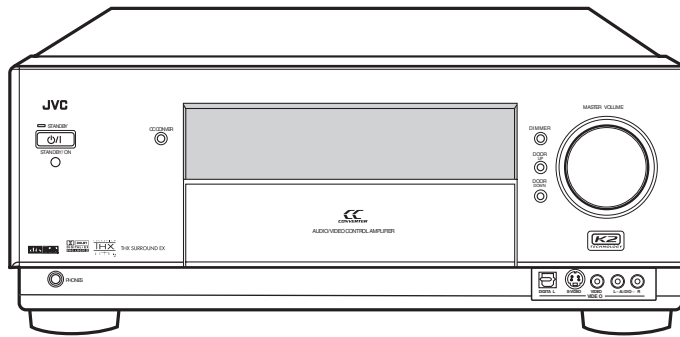
## AUDIO/VIDEO CONTROL AMPLIFIER

# AX-V8000

CD-ROM No.SML200402

Area suffix

UP ----- Korea



THX SURROUND EX



### Contents

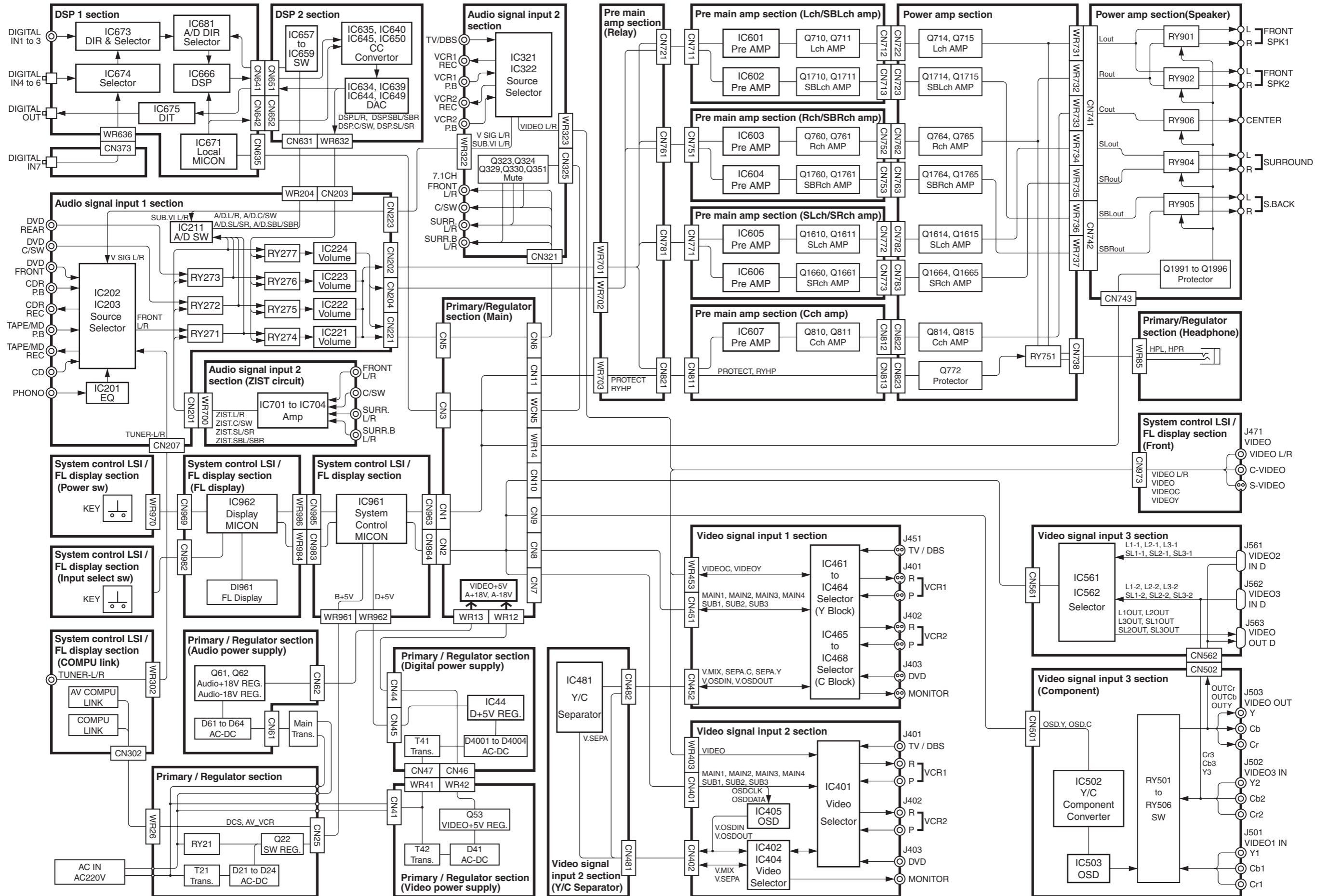
Block diagram .....	2-1
Standard schematic diagrams .....	2-2
Printed circuit boards .....	2-13 to 23

In regard with component parts appearing on the silk-screen printed side (parts side) of the PWB diagrams, the parts that are printed over with black such as the resistor (■), diode (⬤) and ICP (●) or identified by the "▲" mark nearby are critical for safety.

(This regulation does not correspond to J and C version.)

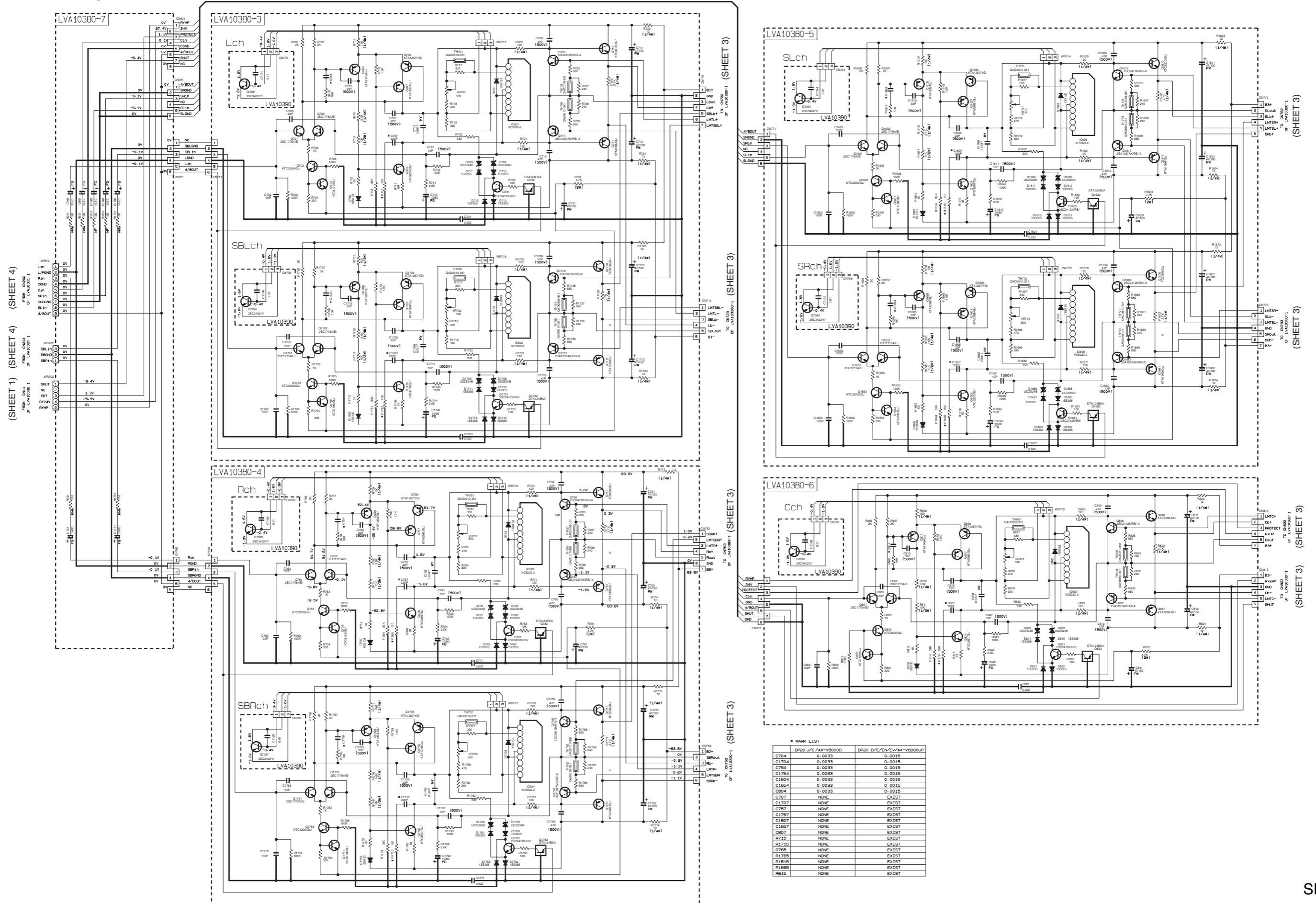


# Block diagram

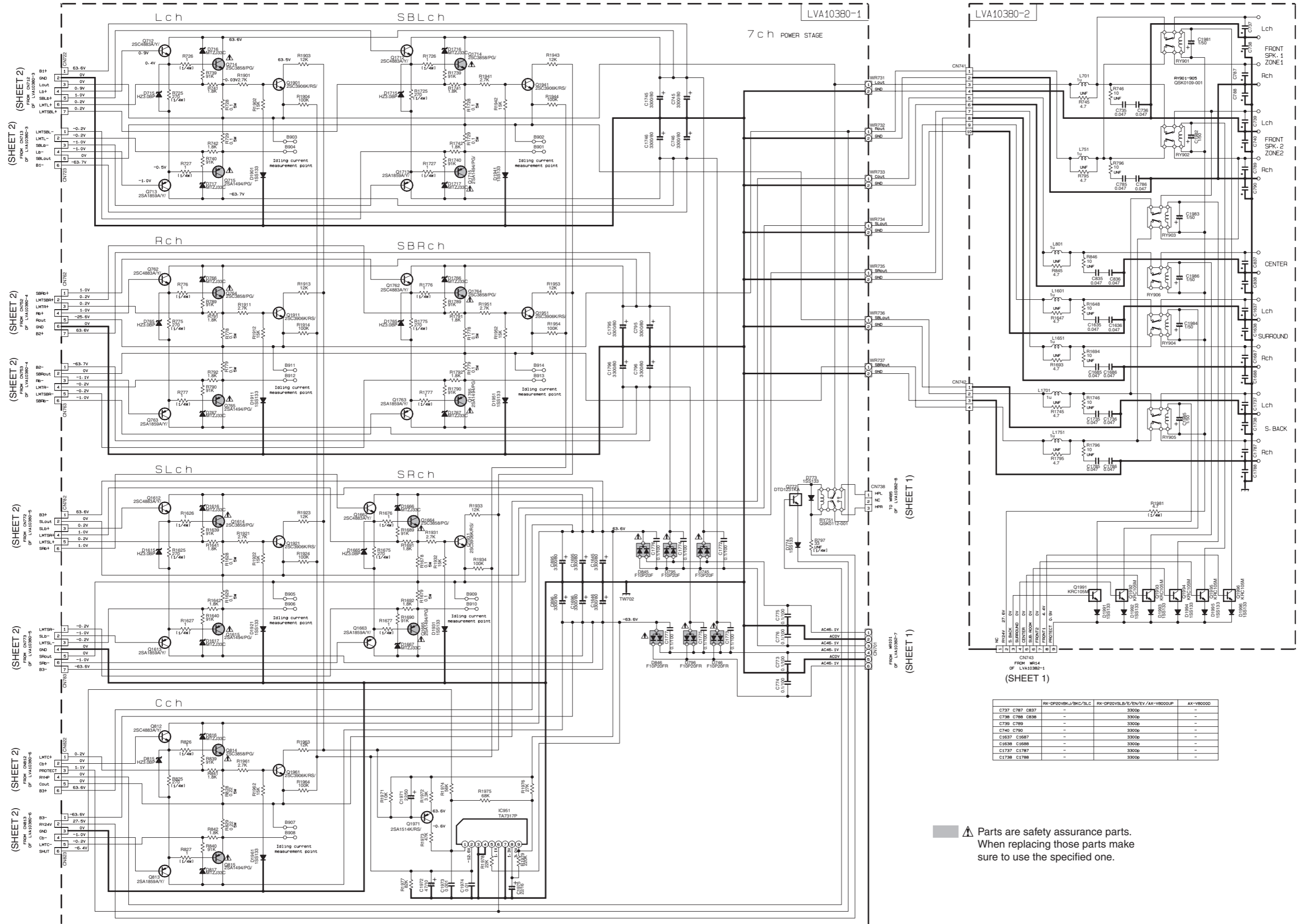




■ Pre main amp section



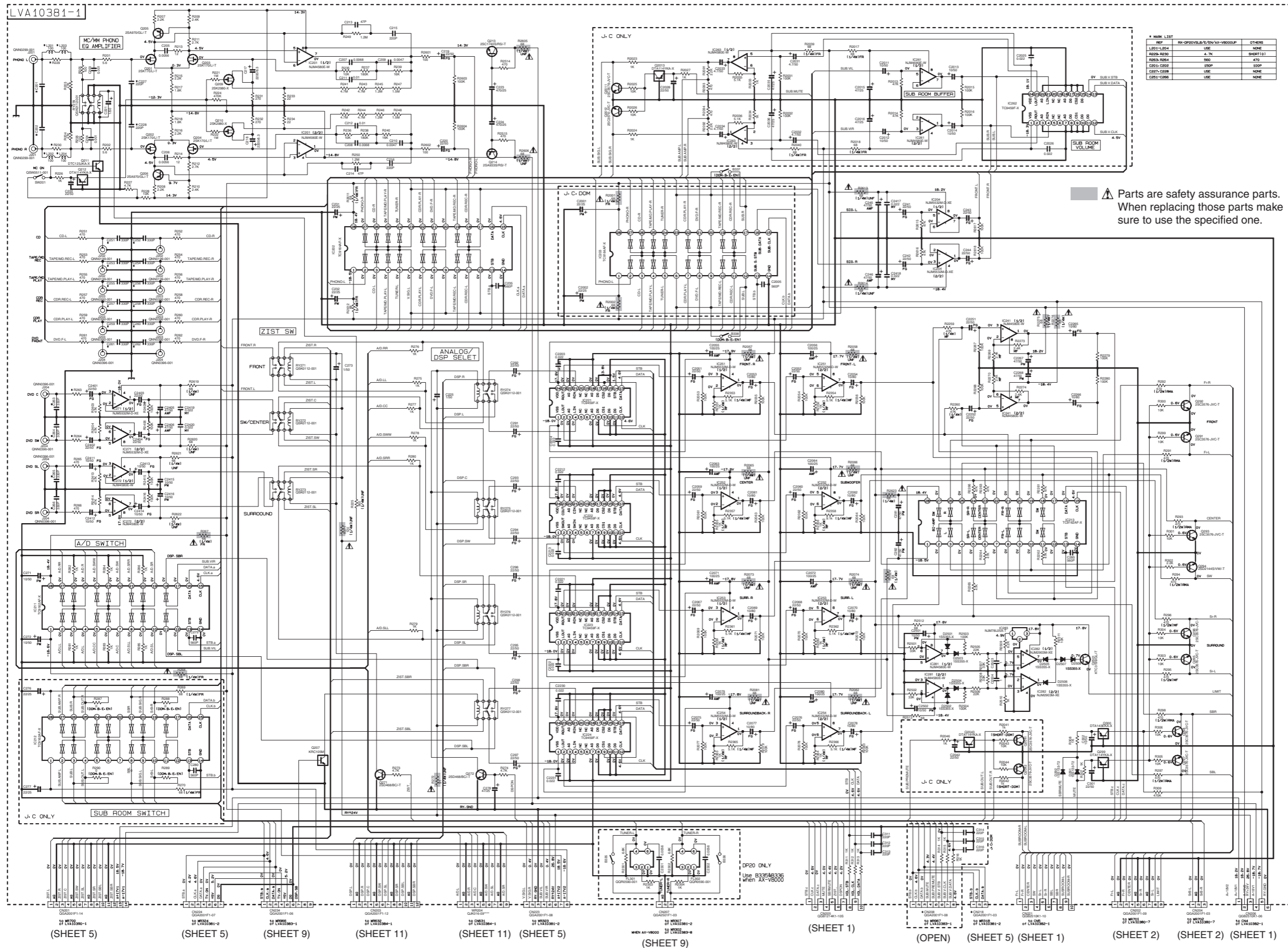
Power amp section



	RX-DP20VBL/BK/SLC	RX-DP20VSLB/E/EN/EV/AX-VB000UP	AX-VB000D
C737 C787 C837	-	3300p	-
C738 C788 C838	-	3300p	-
C739 C789	-	3300p	-
C740 C790	-	3300p	-
C1637 C1687	-	3300p	-
C1638 C1688	-	3300p	-
C1737 C1787	-	3300p	-
C1738 C1788	-	3300p	-

⚠ Parts are safety assurance parts. When replacing those parts make sure to use the specified one.

■ Audio signal input 1 section



■ MARK LIST

REF	REV	REV	REV	REV	REV	REV	REV	REV	REV
R001-R008	RES	RES	RES	RES	RES	RES	RES	RES	RES
C001-C008	CAP	CAP	CAP	CAP	CAP	CAP	CAP	CAP	CAP
U001-U008	IC	IC	IC	IC	IC	IC	IC	IC	IC
Q001-Q008	TR	TR	TR	TR	TR	TR	TR	TR	TR
D001-D008	DIODE	DIODE	DIODE	DIODE	DIODE	DIODE	DIODE	DIODE	DIODE
SW01-SW08	SW	SW	SW	SW	SW	SW	SW	SW	SW

⚠ Parts are safety assurance parts.  
When replacing those parts make sure to use the specified one.

(SHEET 5)

(SHEET 5)

(SHEET 9)

(SHEET 11)

(SHEET 11)

(SHEET 5)

(SHEET 9)

(SHEET 1)

(OPEN)

(SHEET 5)

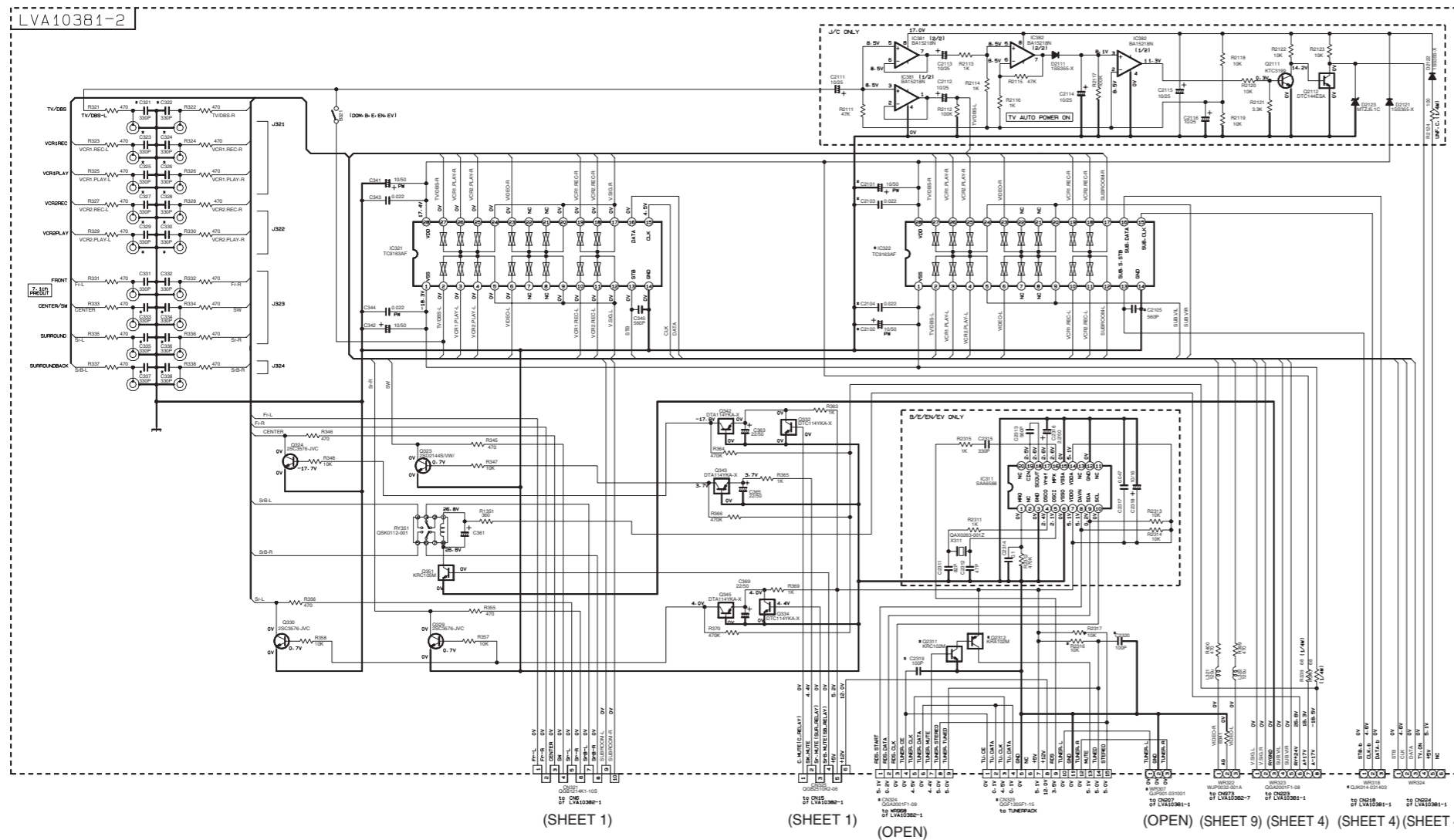
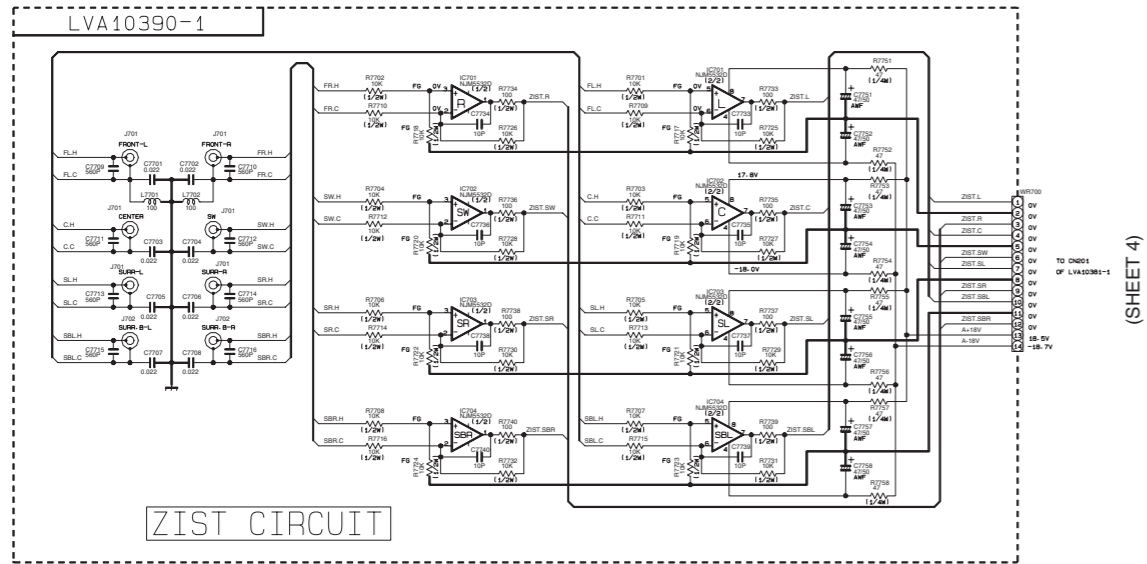
(SHEET 1)

(SHEET 2)

(SHEET 2)

(SHEET 1)

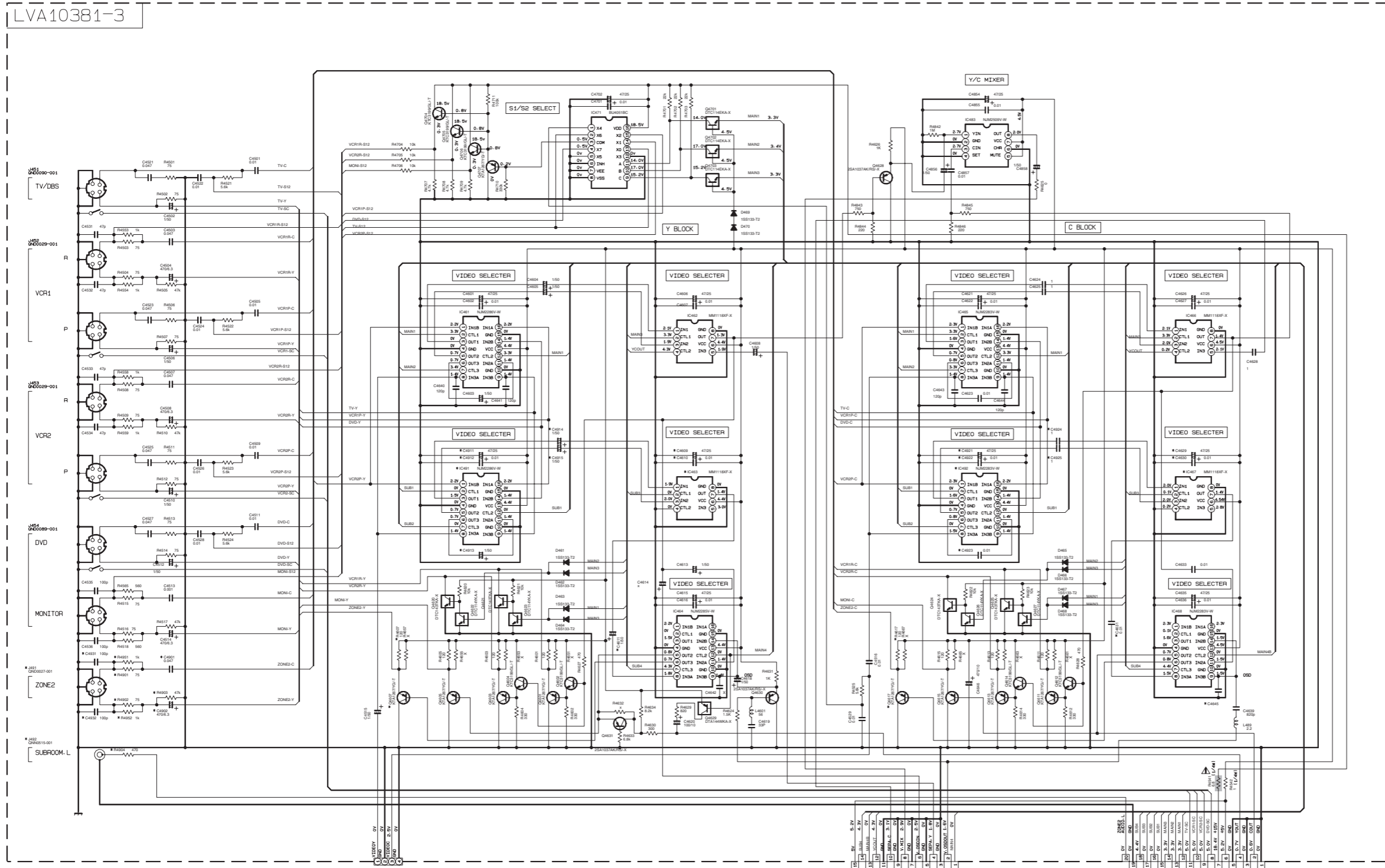
■ Audio signal input 2 section



\* MARK LIST

	J. C	B. E. EN. EV	AX-VB000D	AX-VB000UP
C321-C338	NONE	USED	NONE	USED
C2101-C2105	USED	NONE	USED	USED
IC322	USED	NONE	USED	NONE
WR307, CN323, 324	USED	USED	NONE	NONE
WR318	USED	NONE	USED	USED
C2319, C2320	USED	USED	NONE	NONE
R2316, R2317	USED	USED	NONE	NONE
Q2311, Q2312	USED	USED	NONE	NONE

Video signal input 1 section



Parts are safety assurance parts. When replacing those parts make sure to use the specified one.

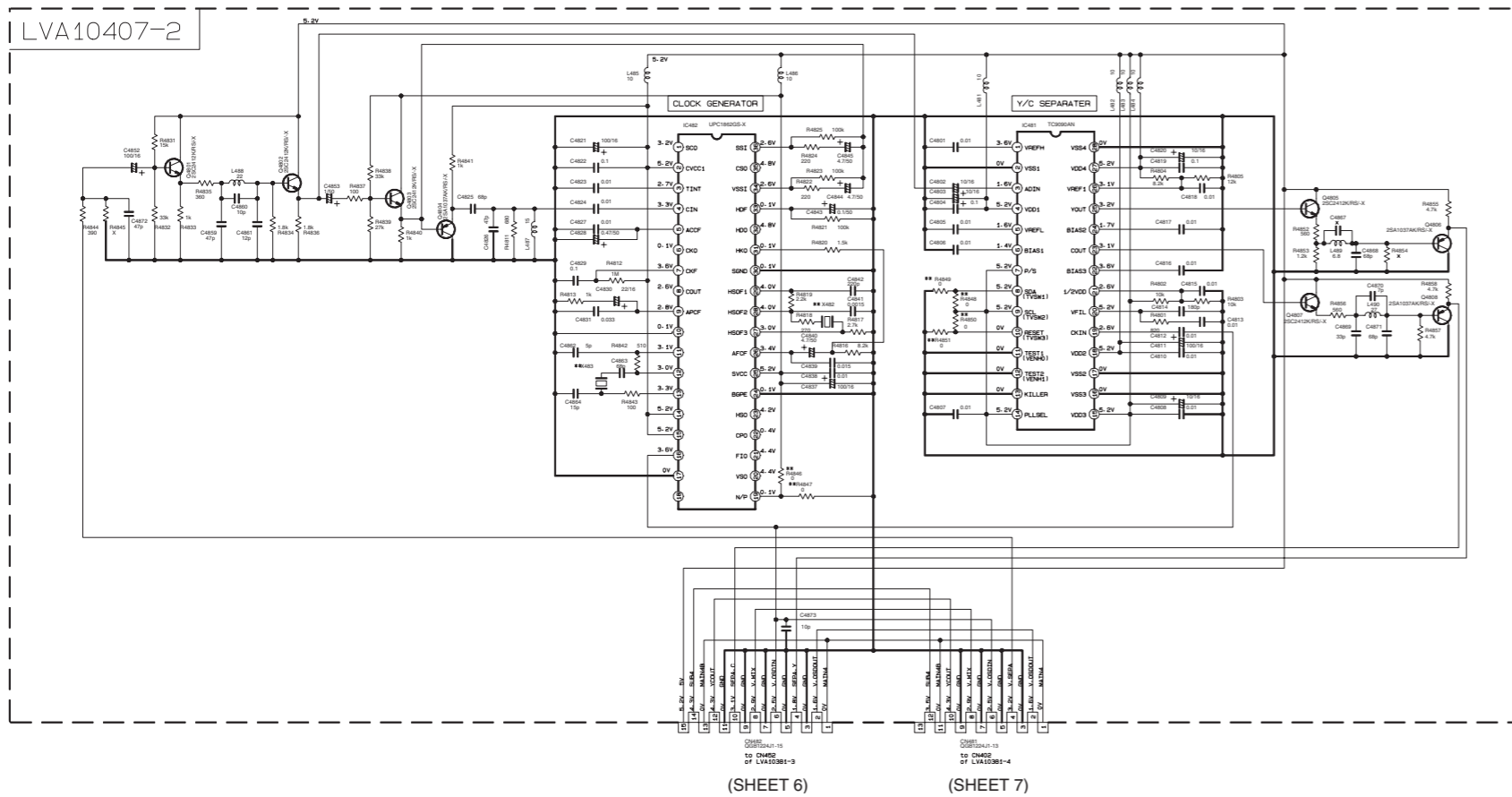
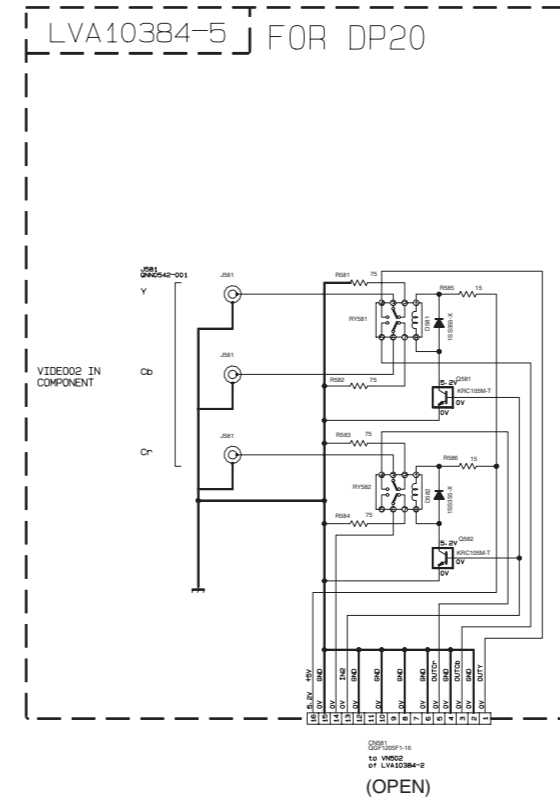
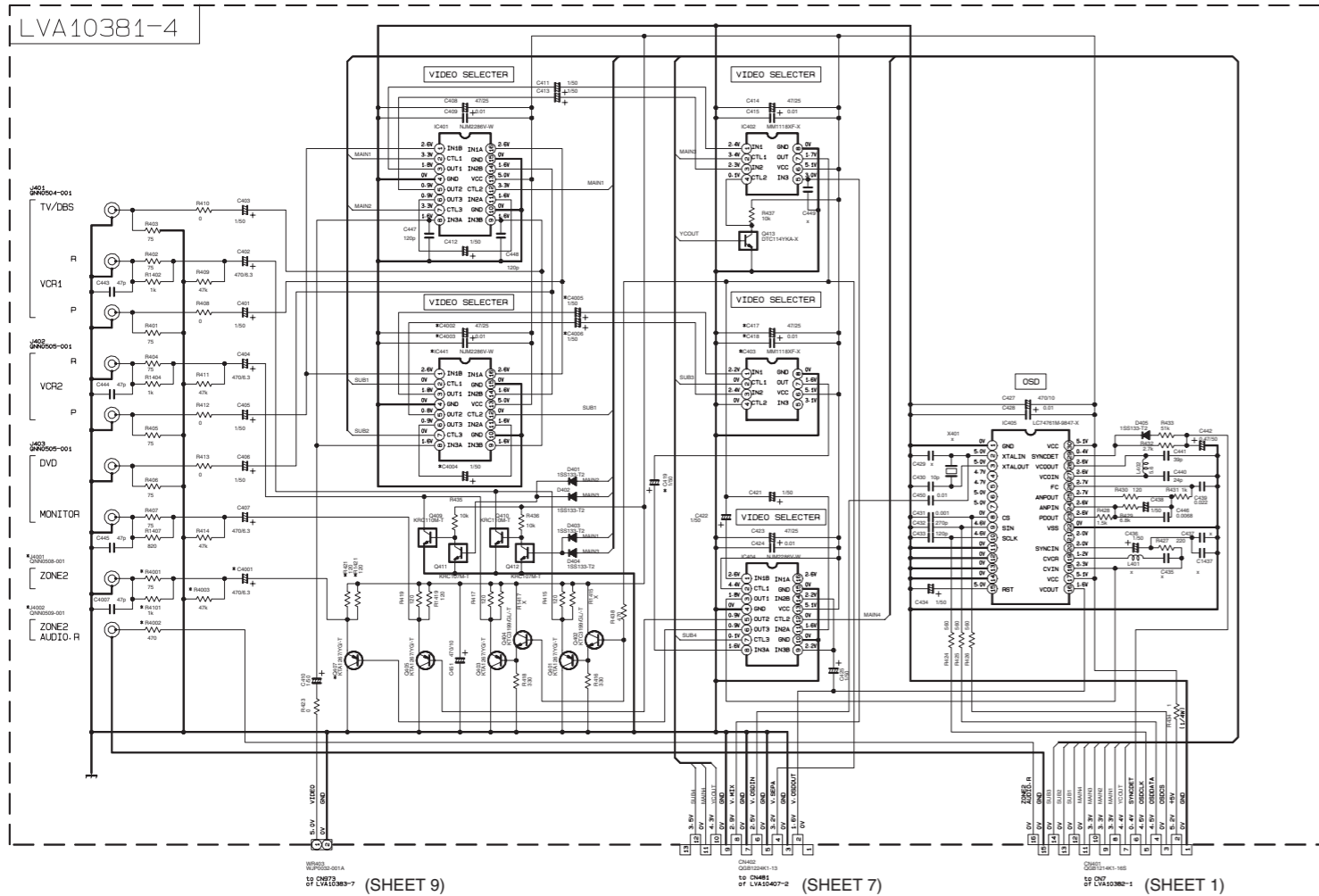
(SHEET 9)

(SHEET 7)

(SHEET 1)

MARK LIST		
DPD1/J/C1	DPD1/E/EN/BI	AX-VB000/UP
USED	NONE	NONE
C-46-41	22P	22P

Video signal input 2 section

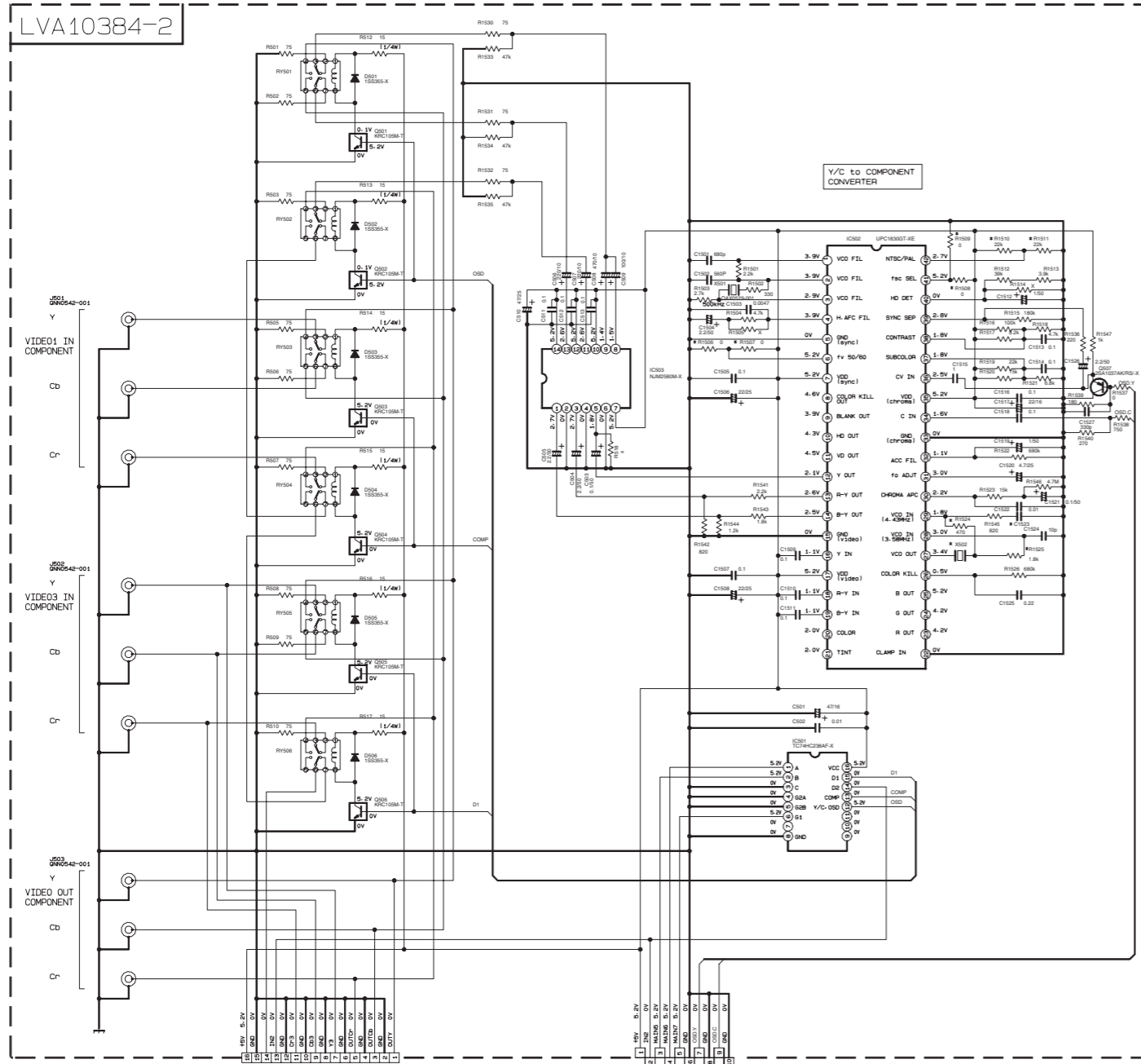


\*\*\*MARK LIST

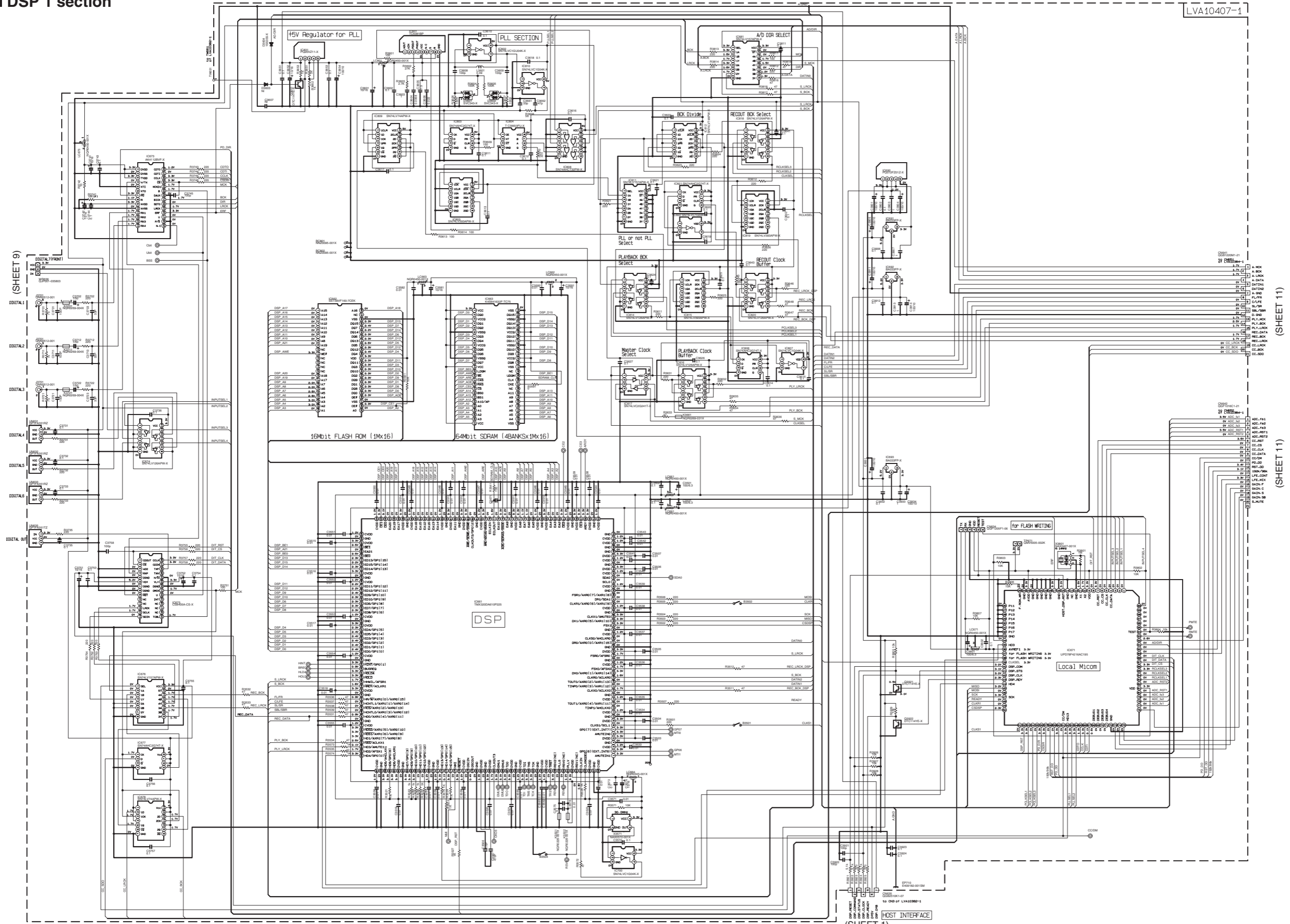
#	DP20 L/C	DP20 E/EN/B	AX-V8000/UP
#	USED	NONE	NONE
R482	0	0	0
R483	0	0	0
R484	0	0	0
R485	0	0	0
R486	0	0	0
R487	0	0	0
R488	0	0	0
R489	0	0	0
R490	0	0	0
R491	0	0	0



Video signal input 3 section







(SHEET 9)  
DIGITAL 1  
DIGITAL 2  
DIGITAL 3  
DIGITAL 4  
DIGITAL 5  
DIGITAL 6  
DIGITAL 9

(SHEET 11)  
DIGITAL 1  
DIGITAL 2  
DIGITAL 3  
DIGITAL 4  
DIGITAL 5  
DIGITAL 6  
DIGITAL 9

HOST INTERFACE  
(SHEET 1)

(SHEET 4)

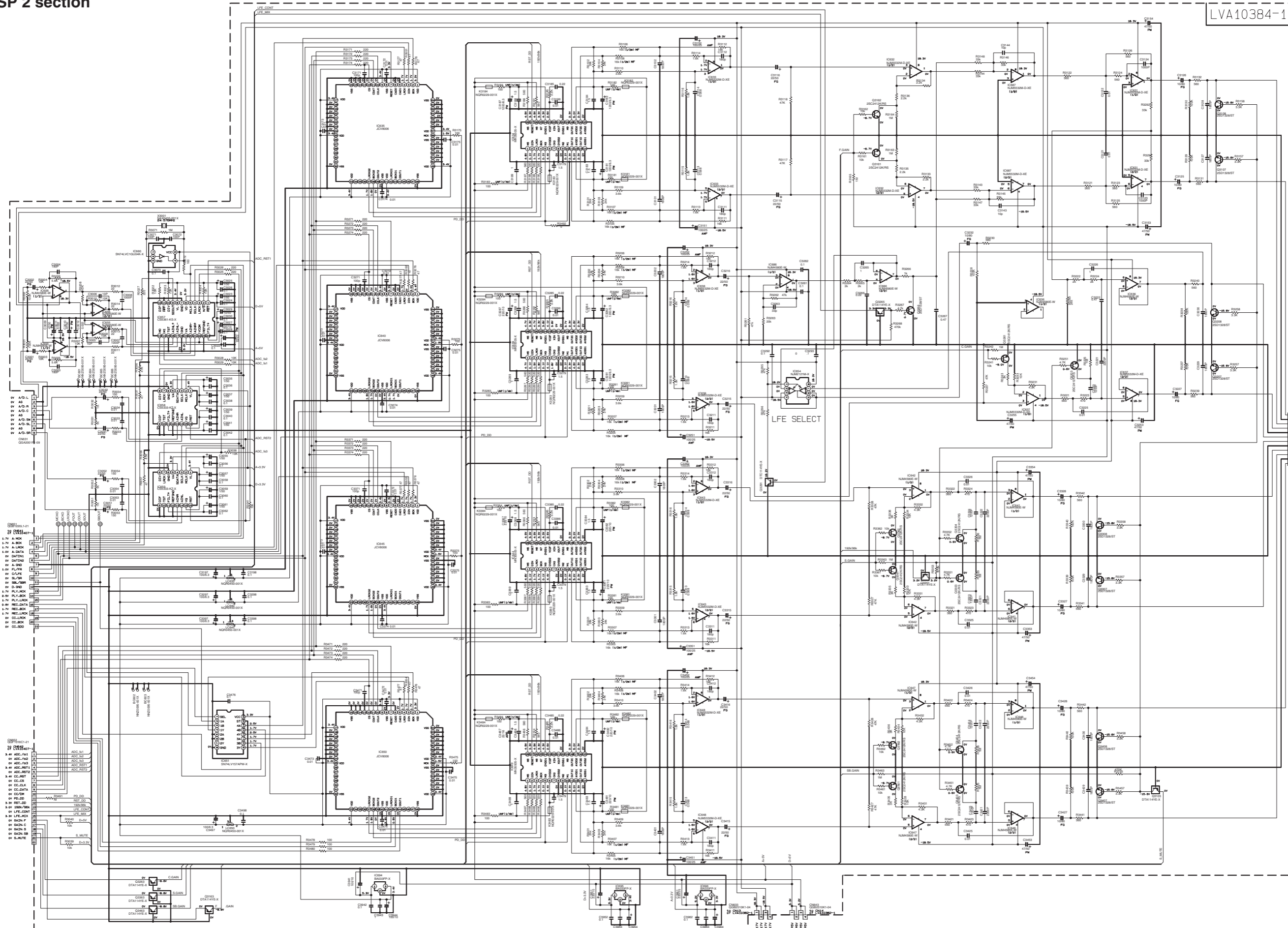
(SHEET 10)

(SHEET 10)

(SHEET 4)

(SHEET 10)

(SHEET 10)



Rch

Lch

LFEch

Ch

Rch

Lch

SRch

SLch

(SHEET 1) (SHEET 1)

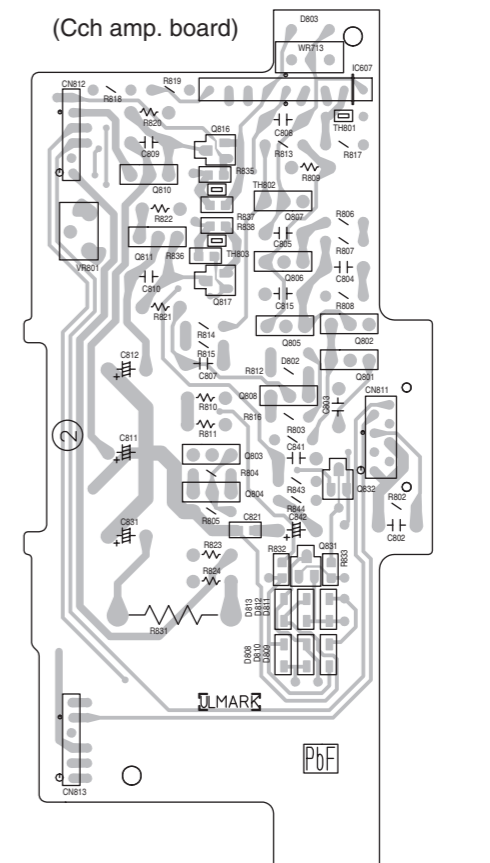
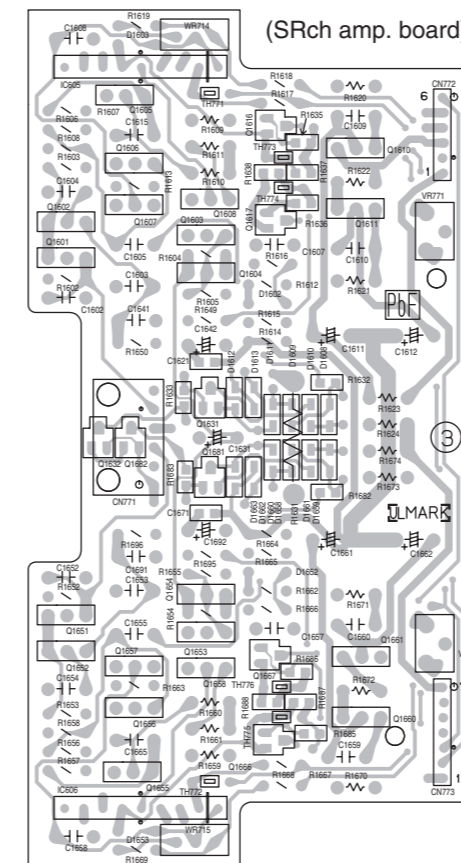
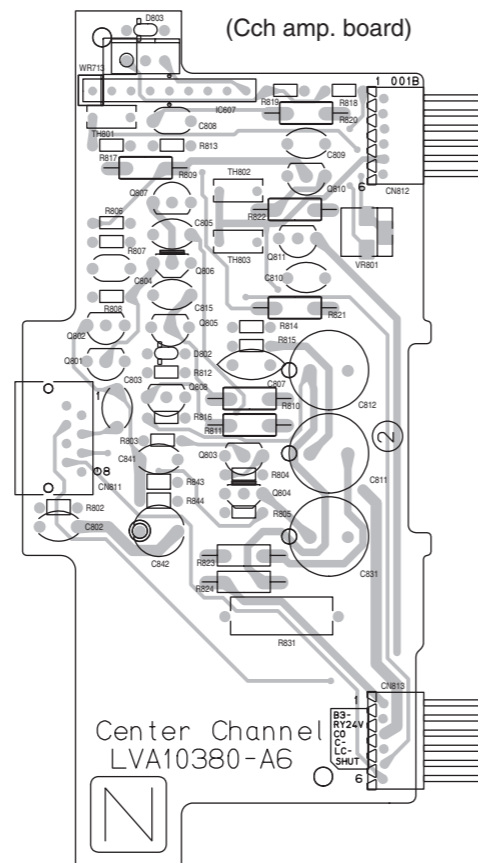
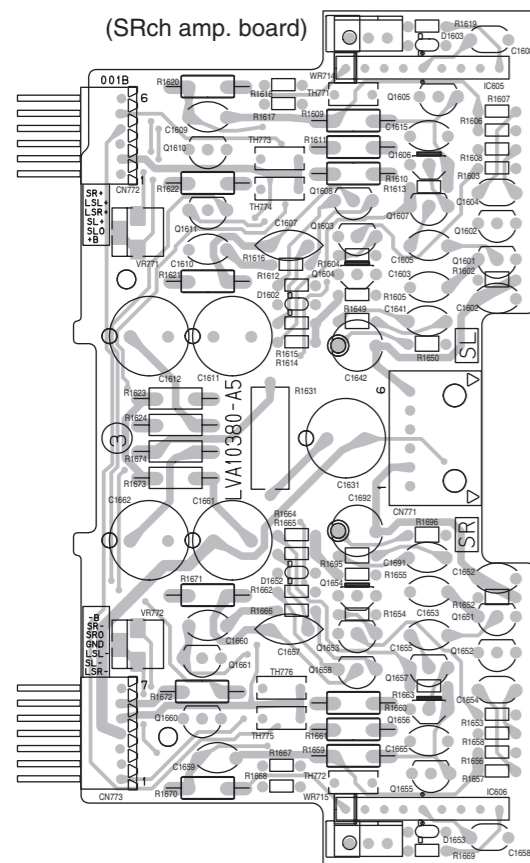
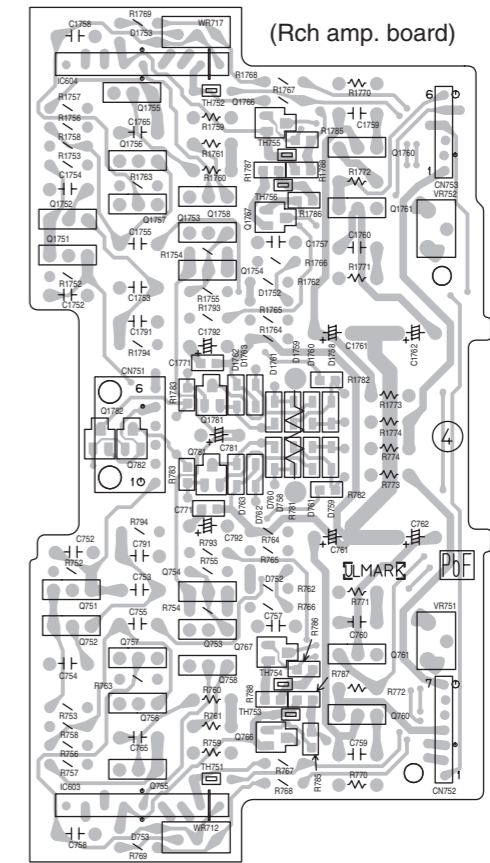
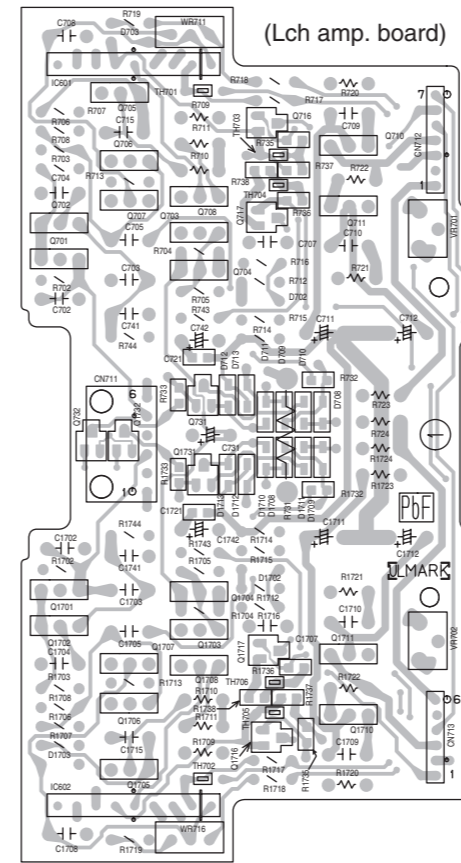
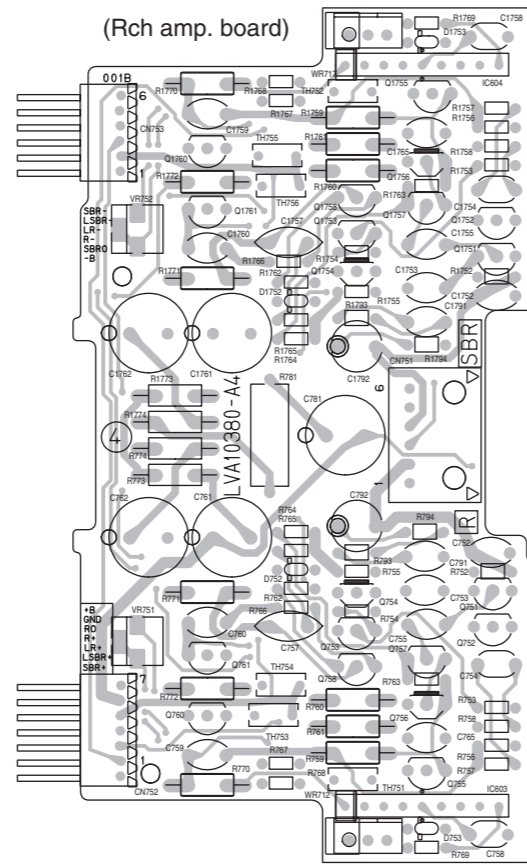
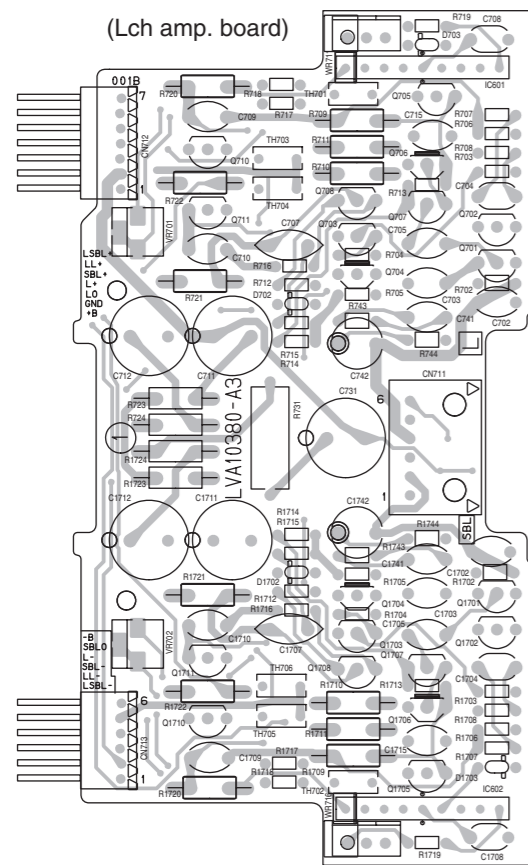




■ Amp board

Forward side

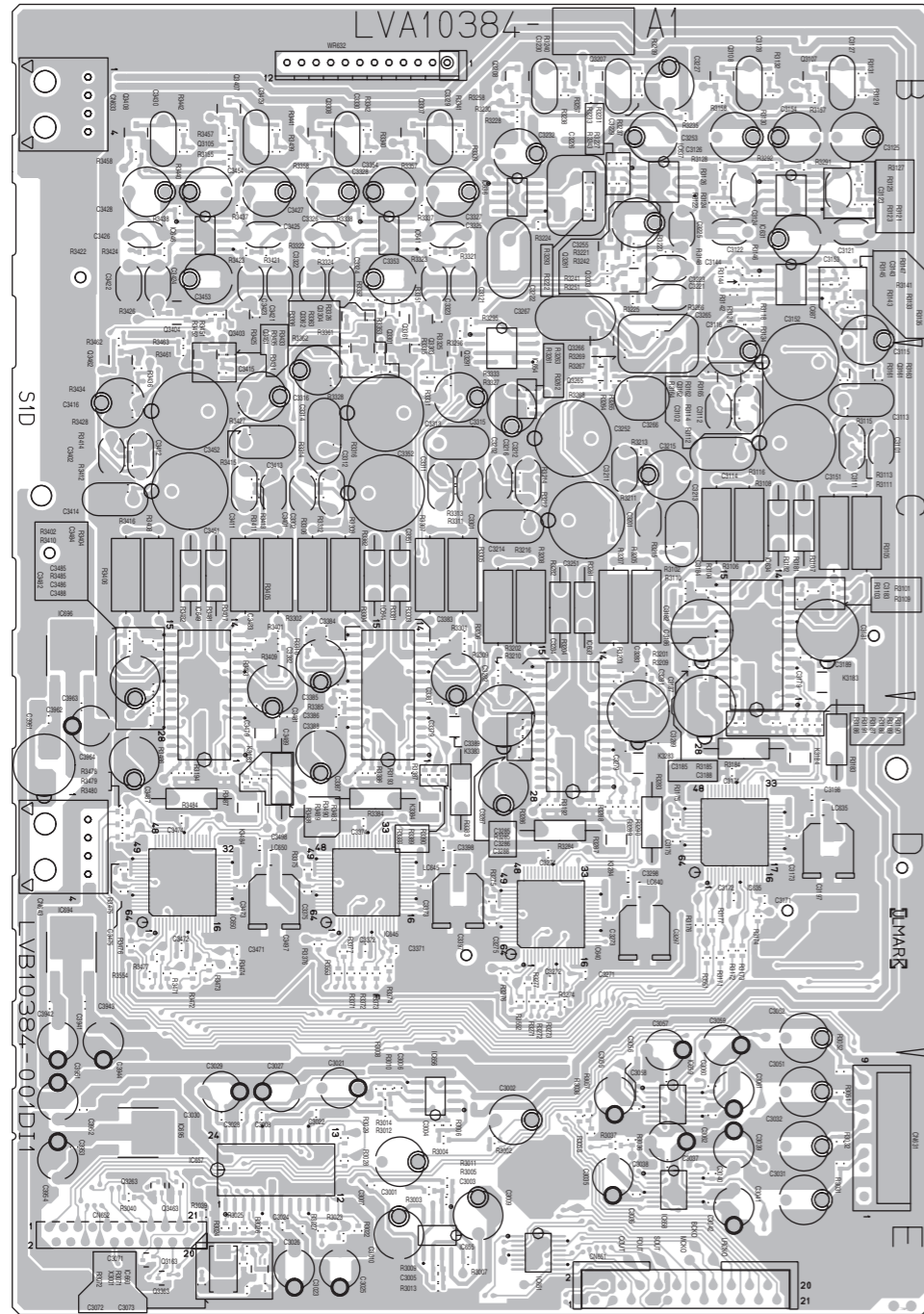
Reverse side



■ Audio & Video board

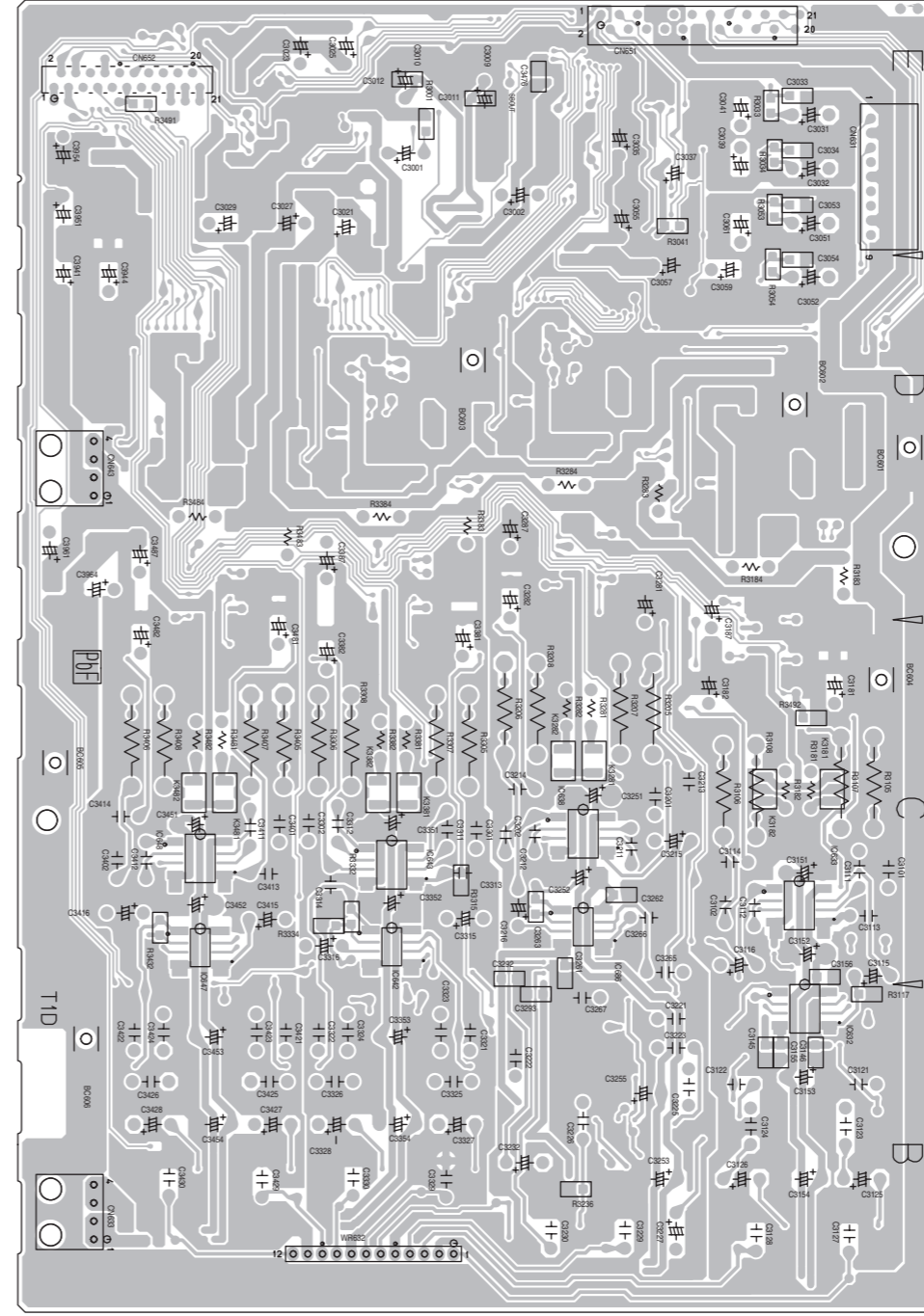
Foward side

(DSP 2 board)



Reverse side

(DSP 2 board)

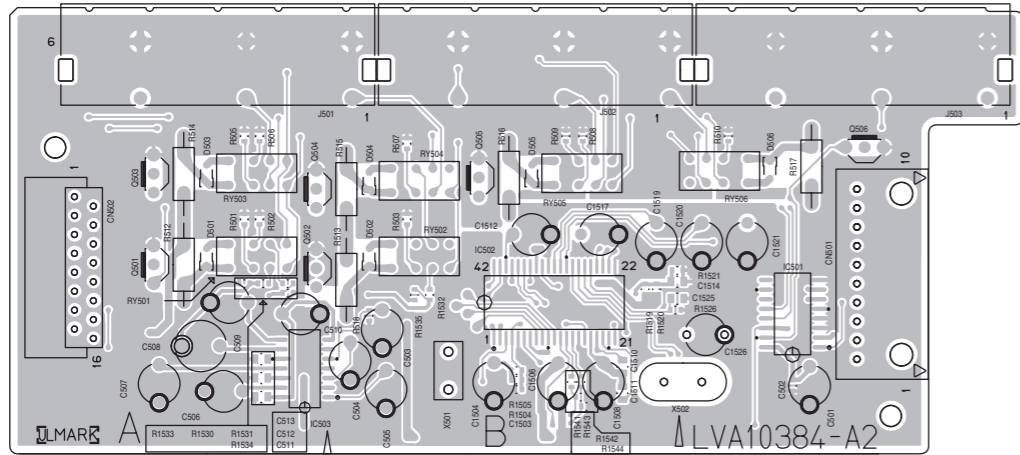




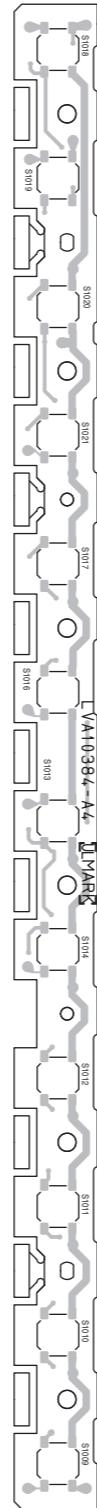
■ Audio & Video board

Foward side

(D5 video board)

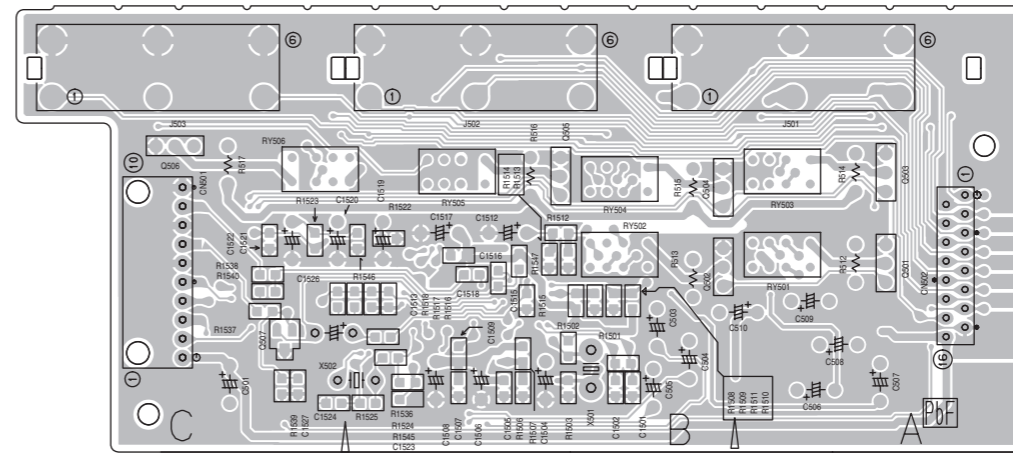


(Door input board)

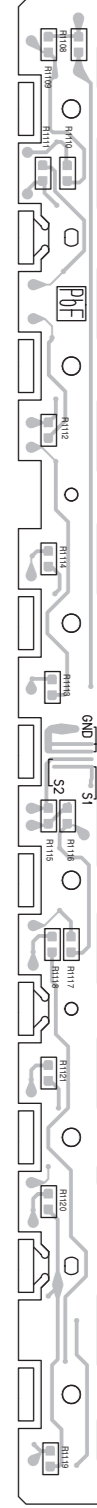


Reverse side

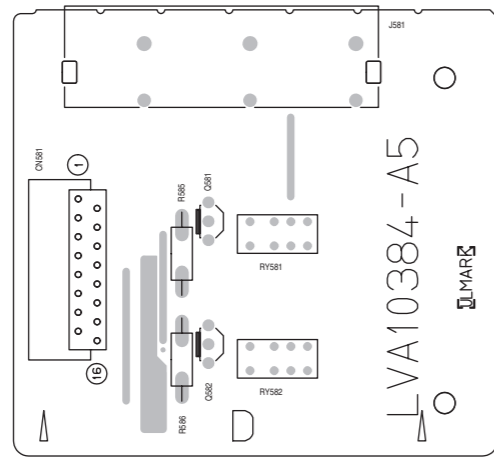
(D5 video board)



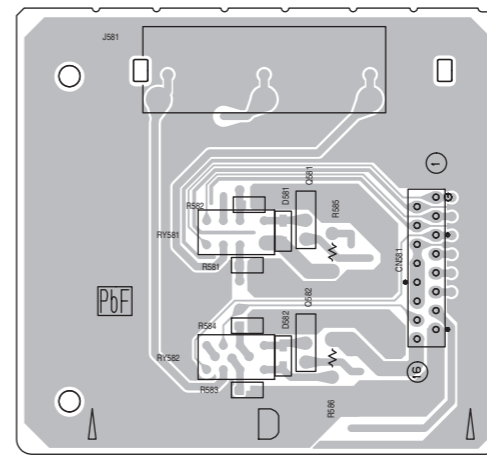
(Door input board)



(Video component board)

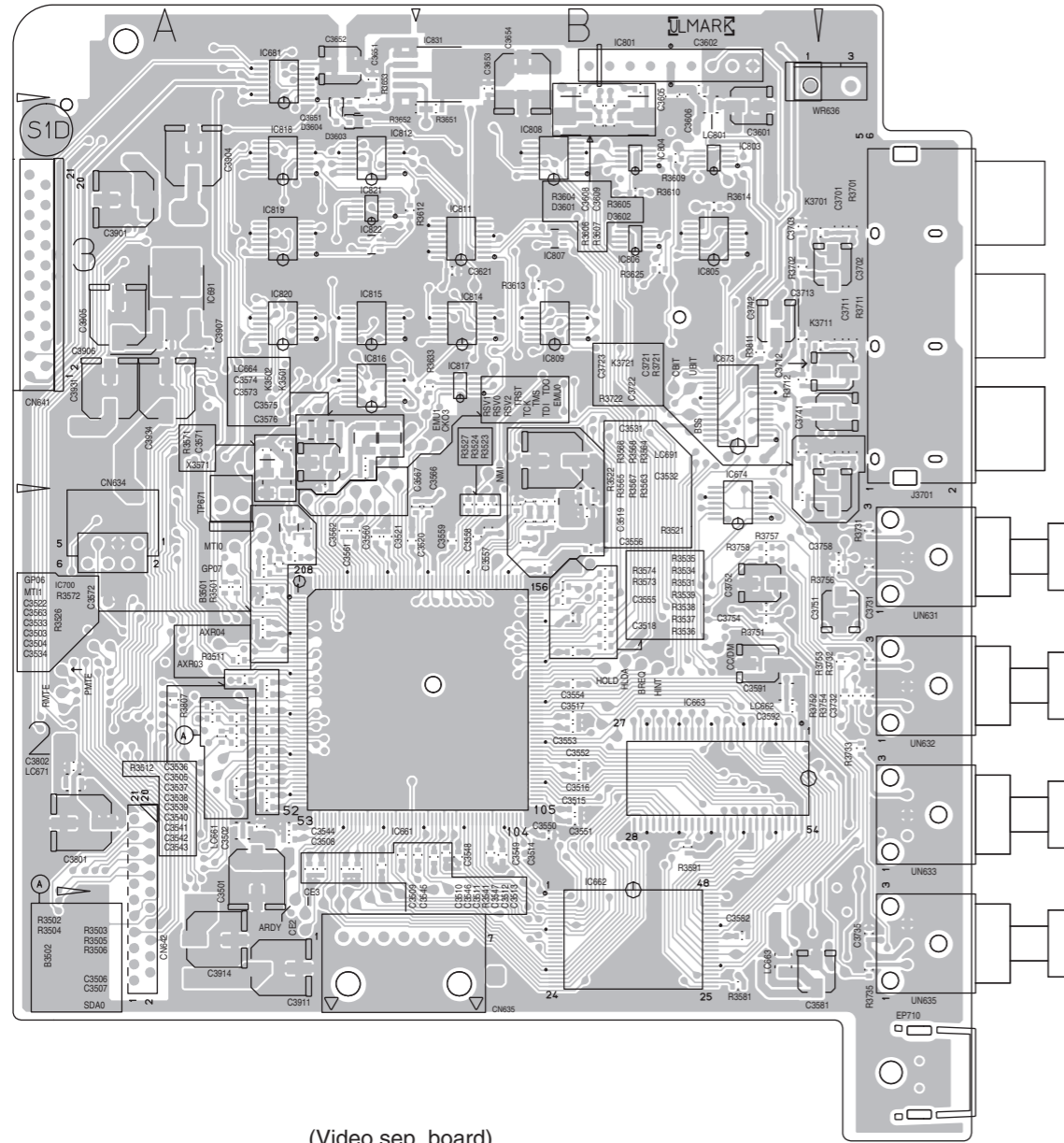


(Video component board)

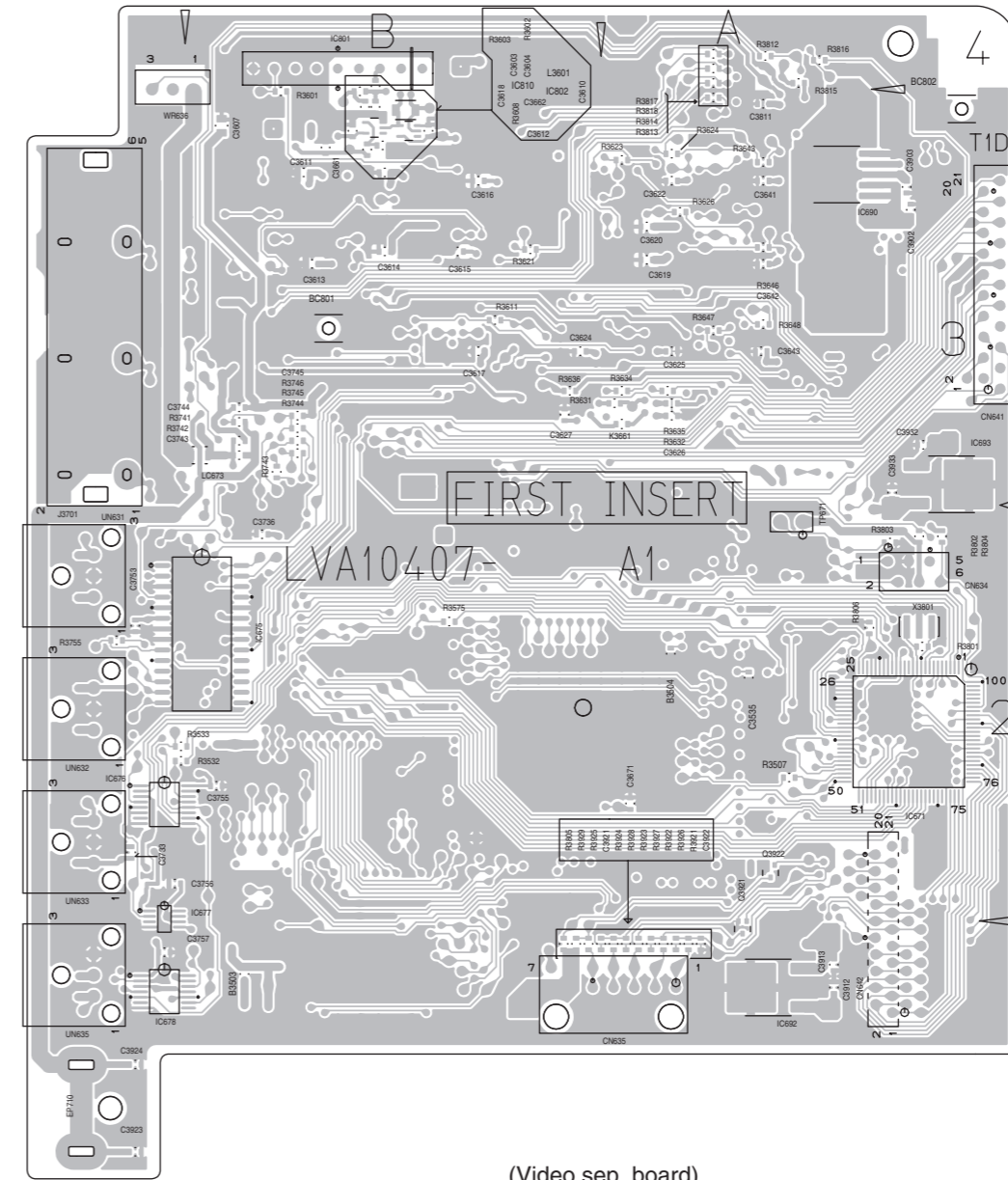


■ DSP board

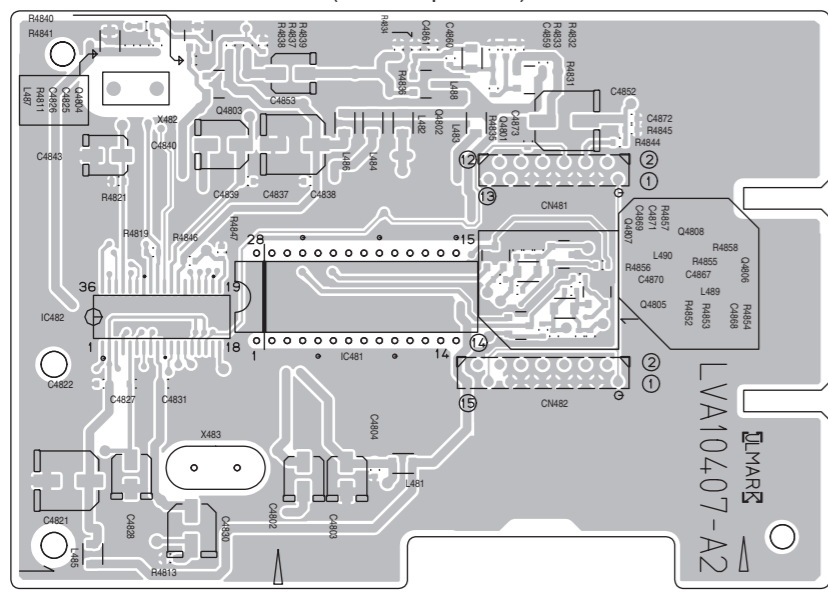
Forward side  
(DSP 1 board)



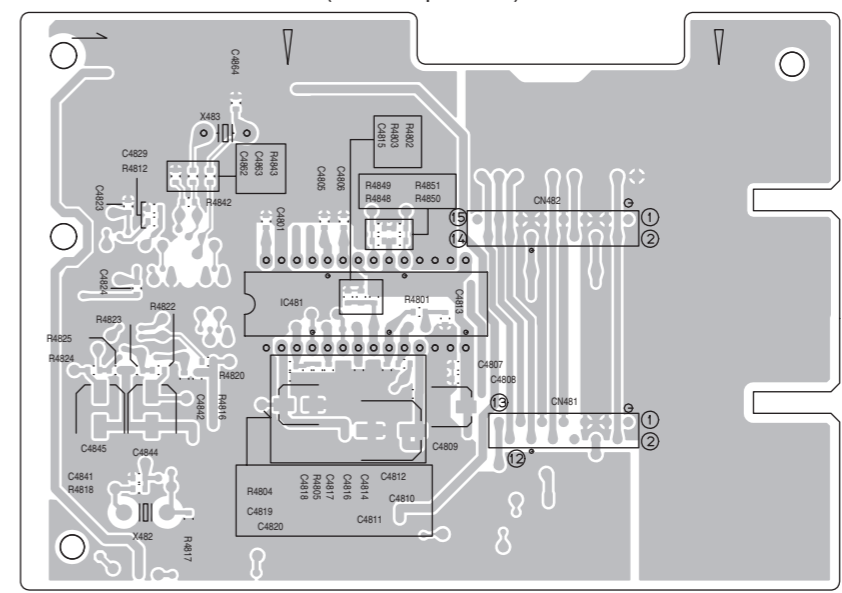
Reverse side  
(DSP 1 board)



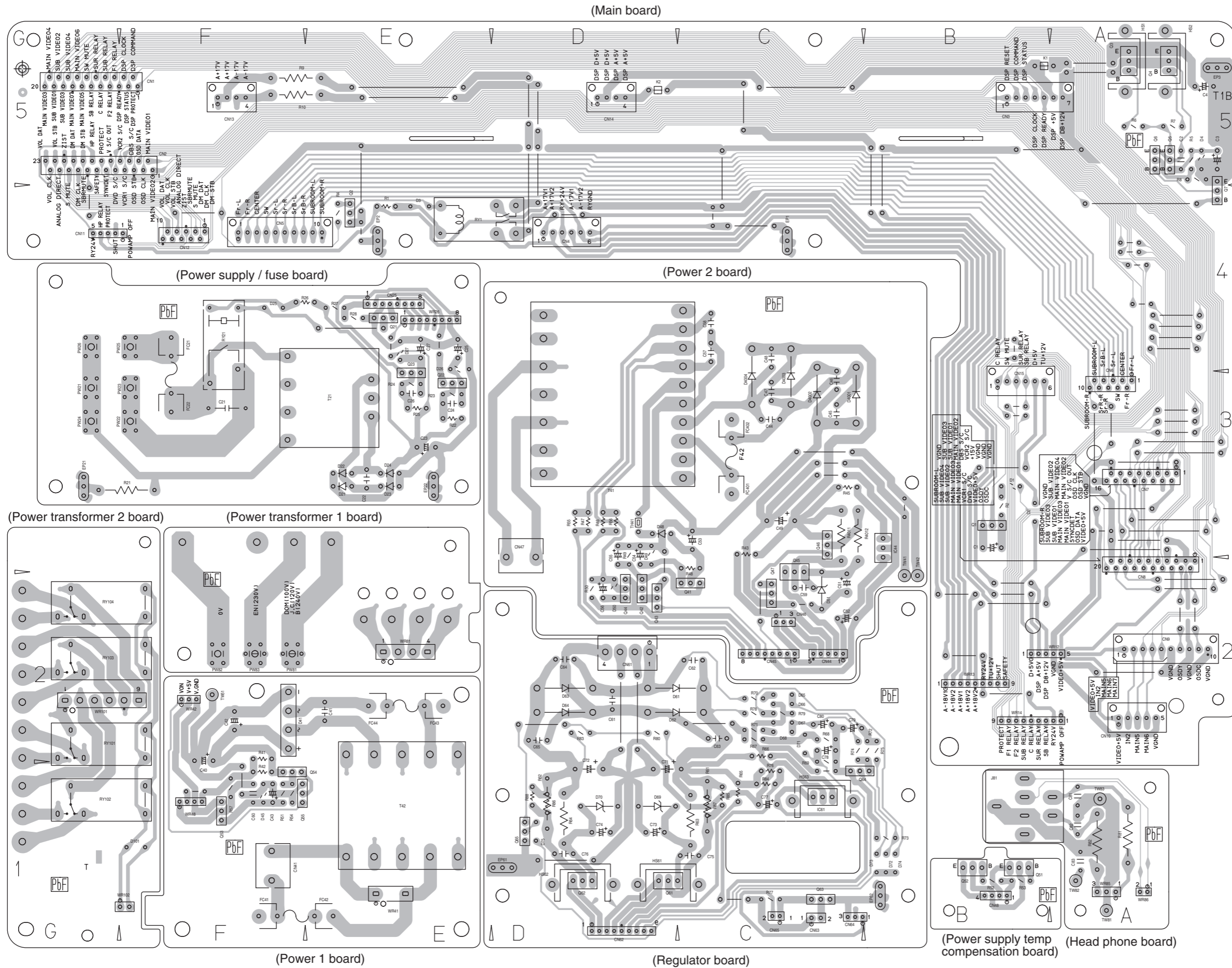
(Video sep. board)



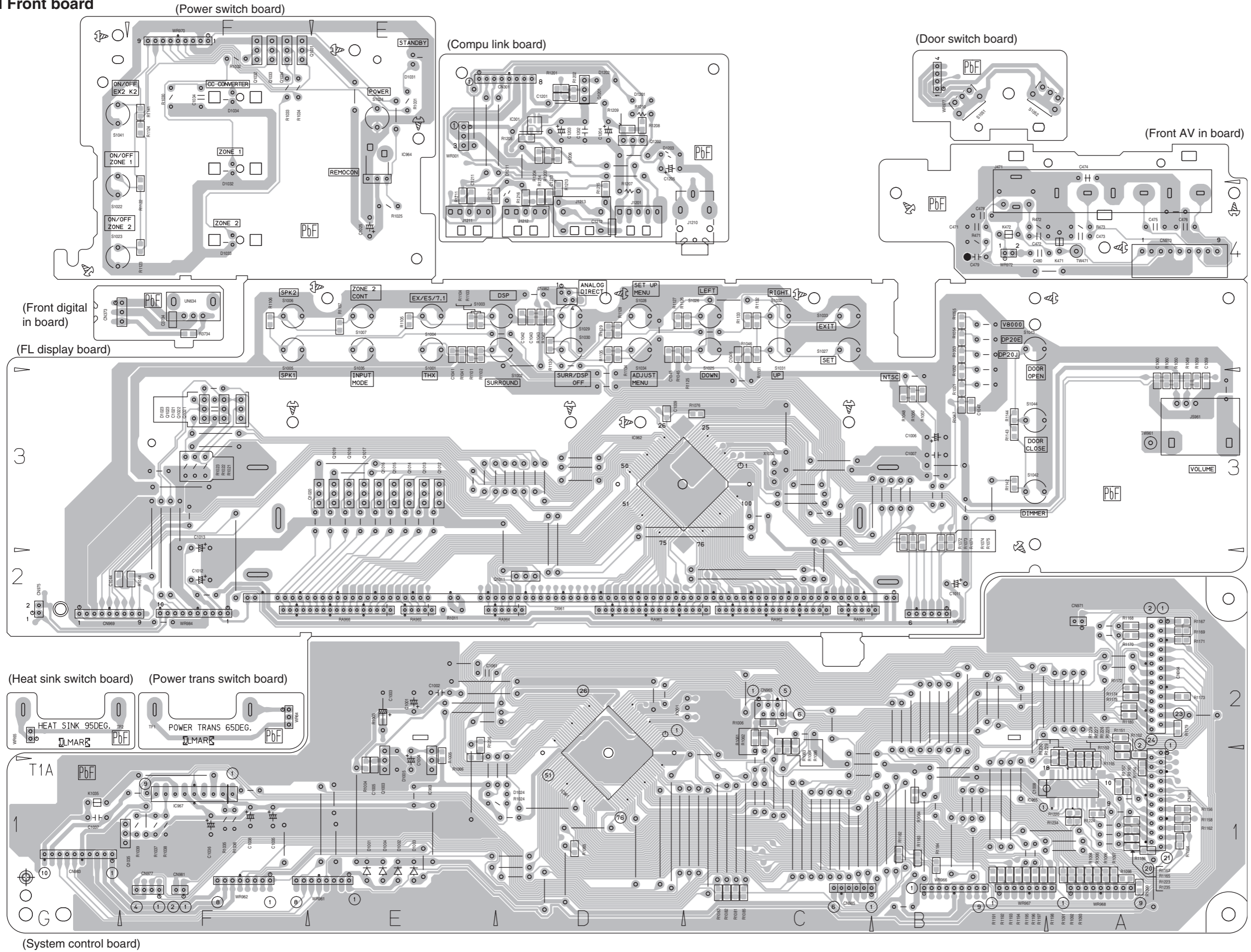
(Video sep. board)



■ Power supply board



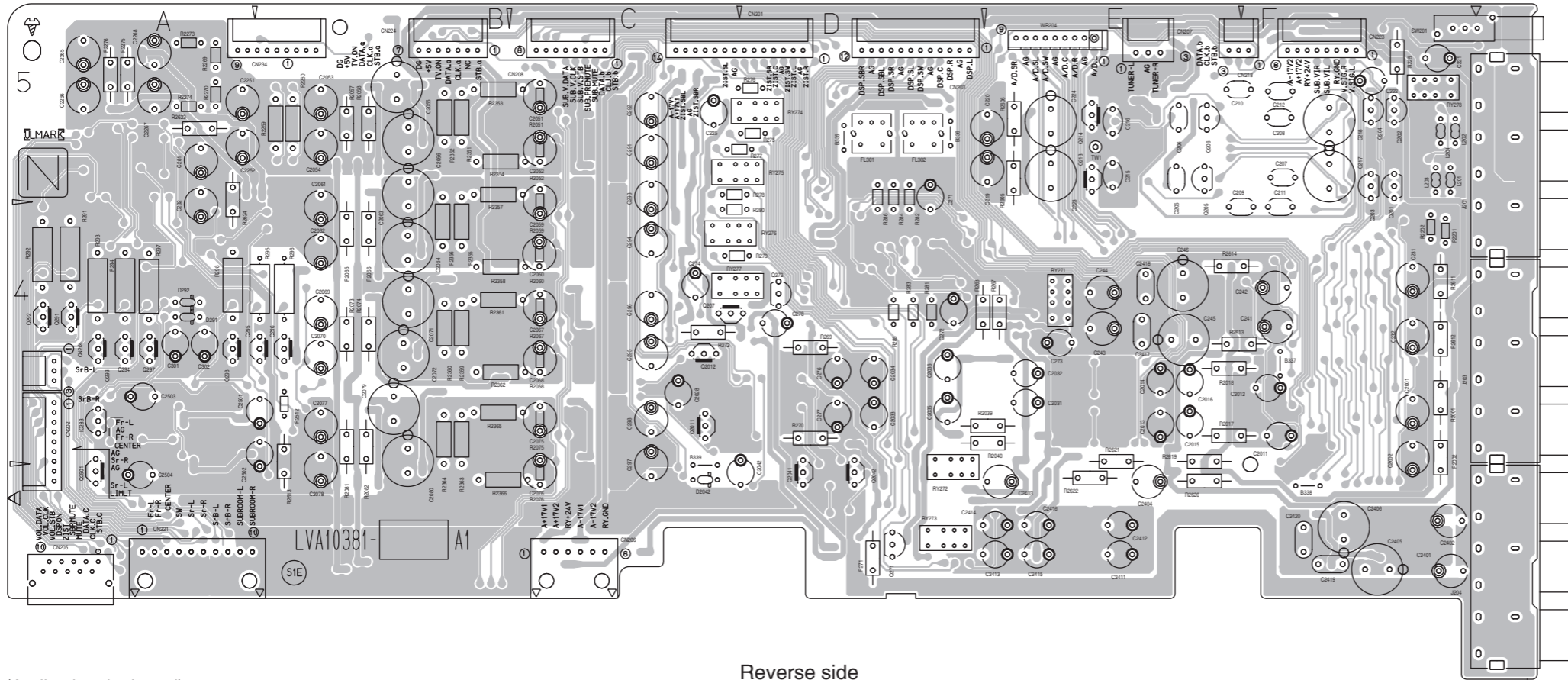
■ Front board



# Audio & Video signal I/O board

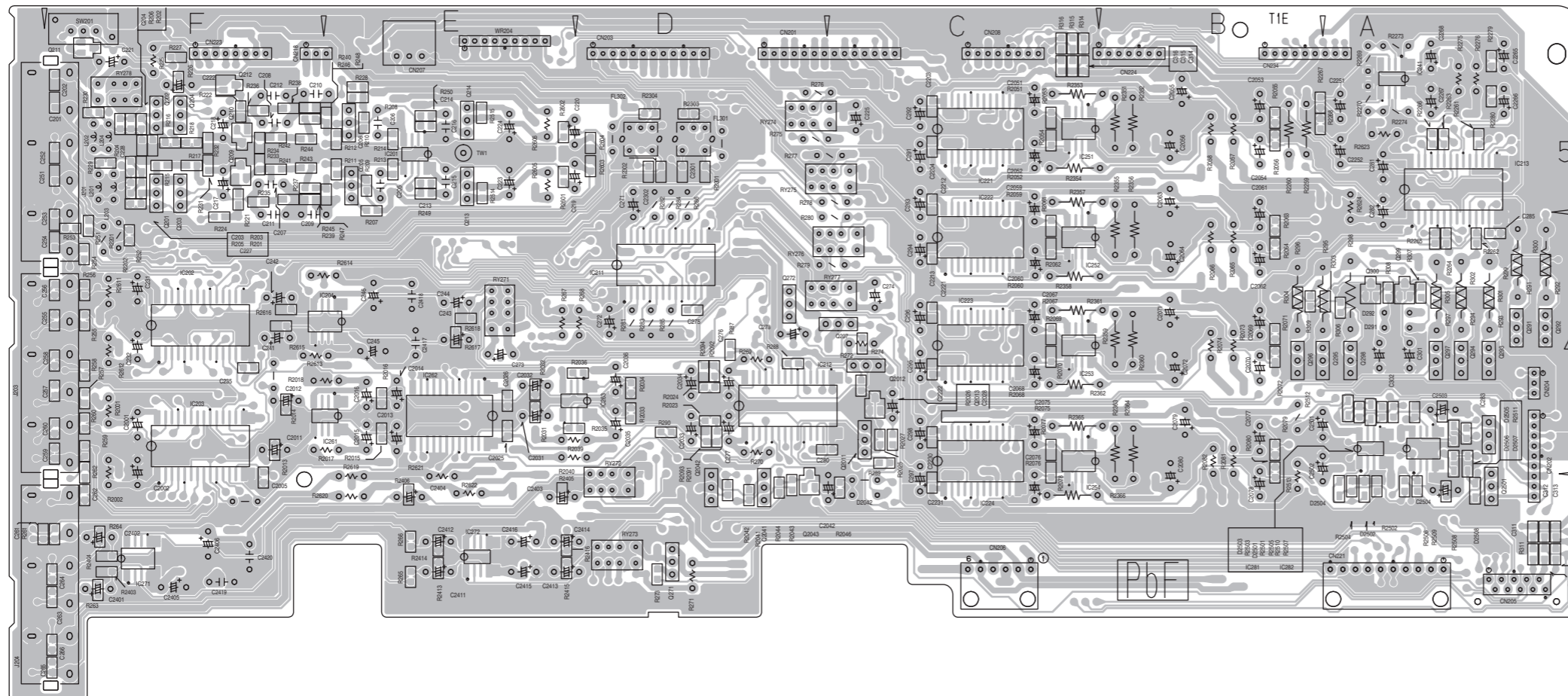
(Audio signal 1 board)

Forward side



(Audio signal 1 board)

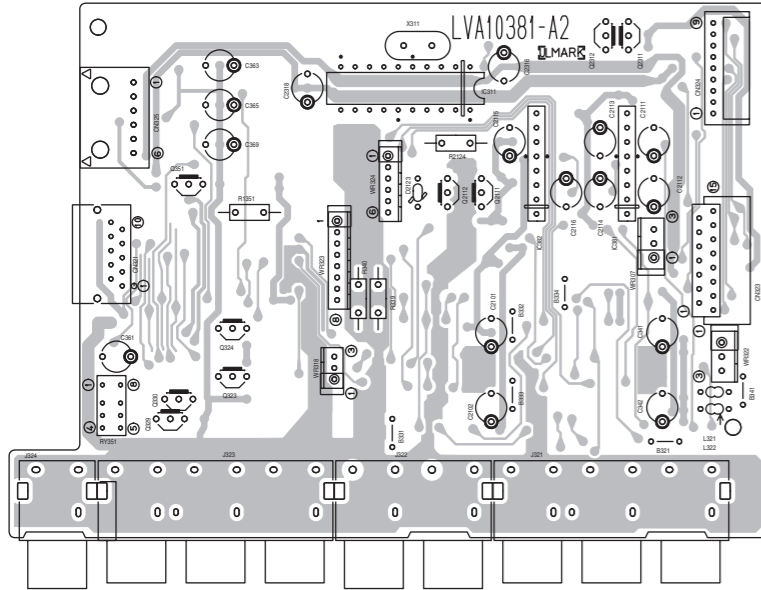
Reverse side



■ Audio & Video signal I/O board

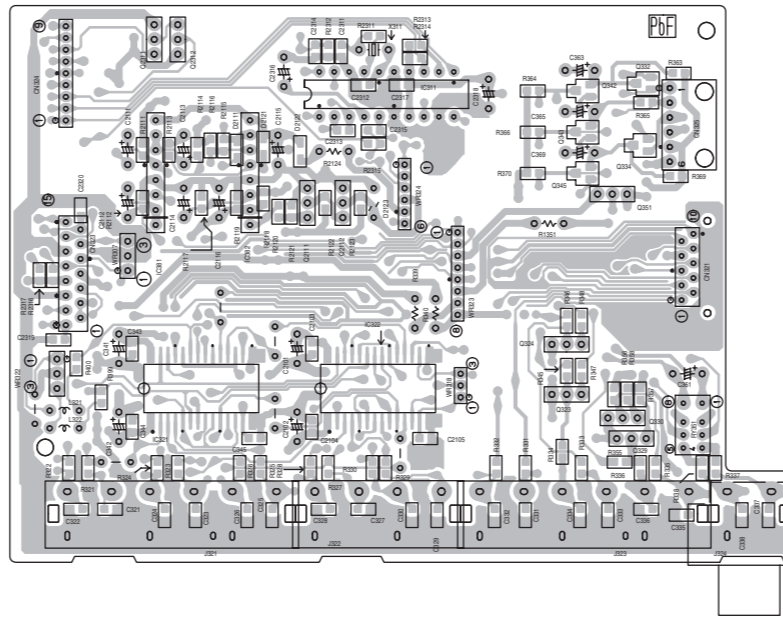
(Audio signal 2 board)

Foward side

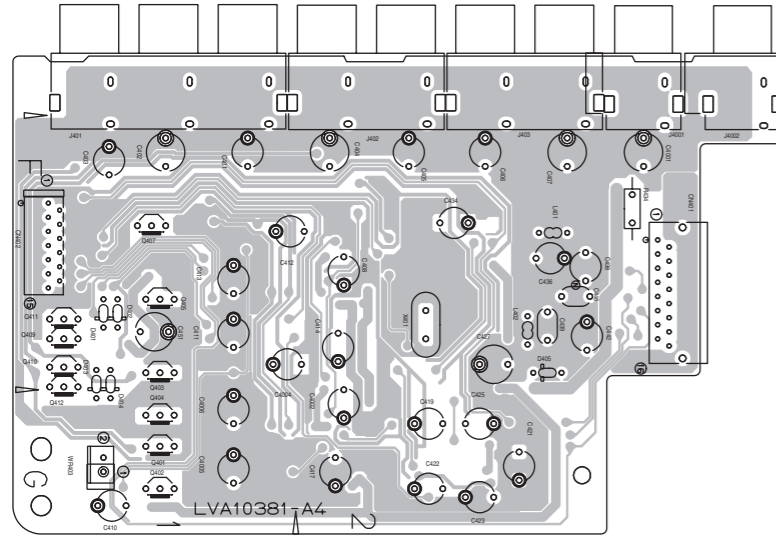


(Audio signal 2 board)

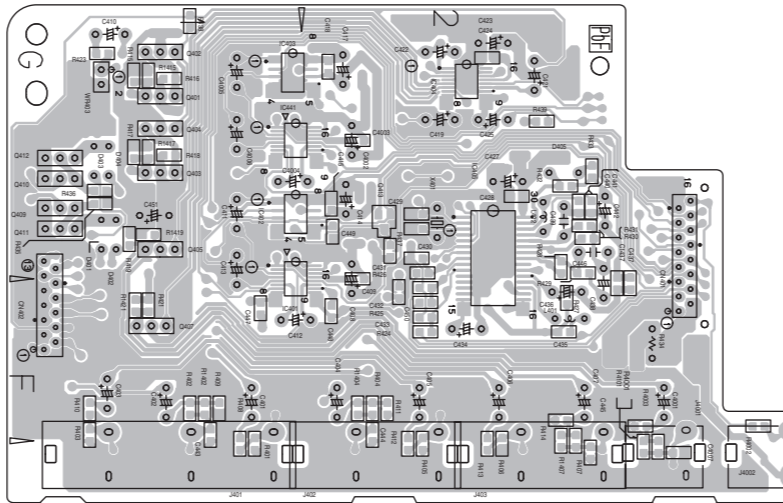
Reverse side



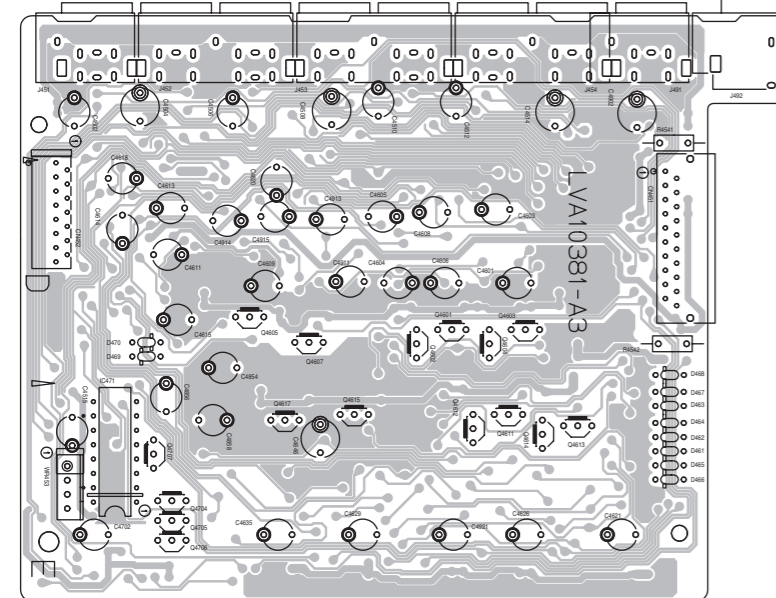
(Video signal board)



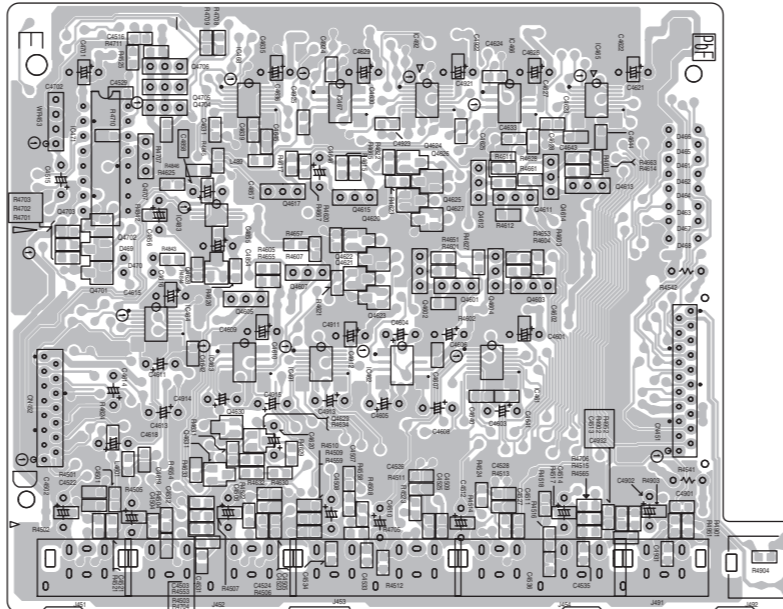
(Video signal board)



(S-video signal board)

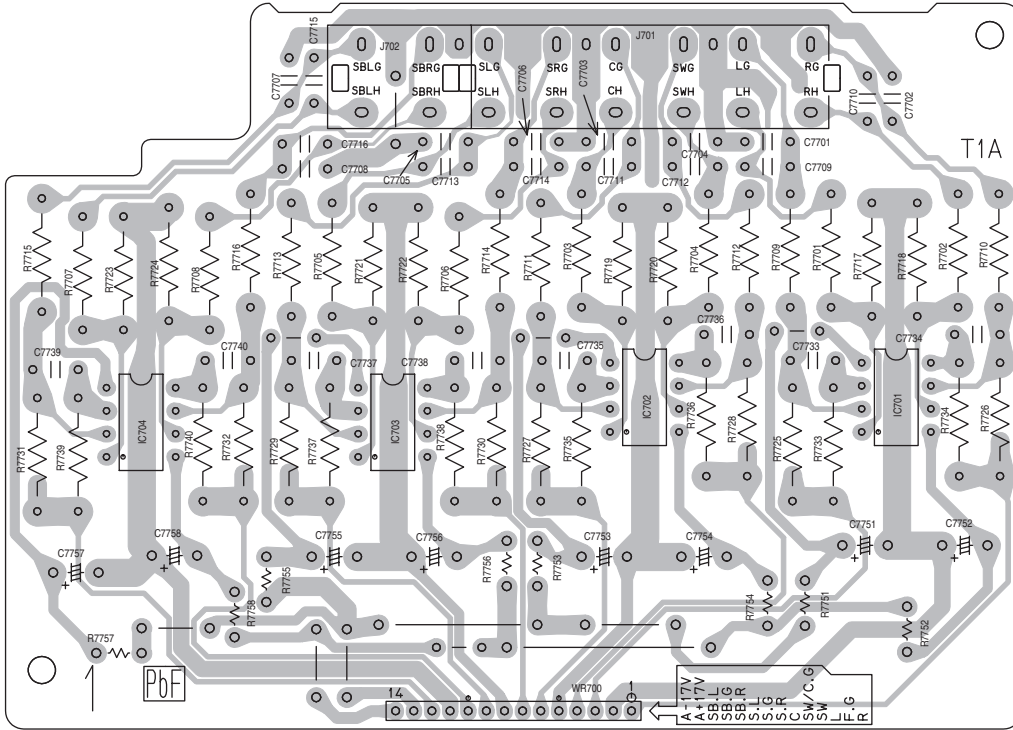


(S-video signal board)



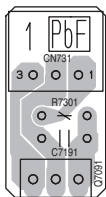
## ■ Audio signal I/O board

Audio signal 3 board



## ■ Temp compensation board

Temp compensation board



**JVC**

**VICTOR COMPANY OF JAPAN, LIMITED**

AV & MULTIMEDIA COMPANY AUDIO/VIDEO SYSTEMS CATEGORY 10-1, 1chome, Ohwatari-machi, Maebashi-city, 371-8543, Japan

(No.MB177SCH)



Printed in Japan  
WPC



# PARTS LIST

[ AX-V8000 ]

\* All printed circuit boards and its assemblies are not available as service parts.

Area suffix

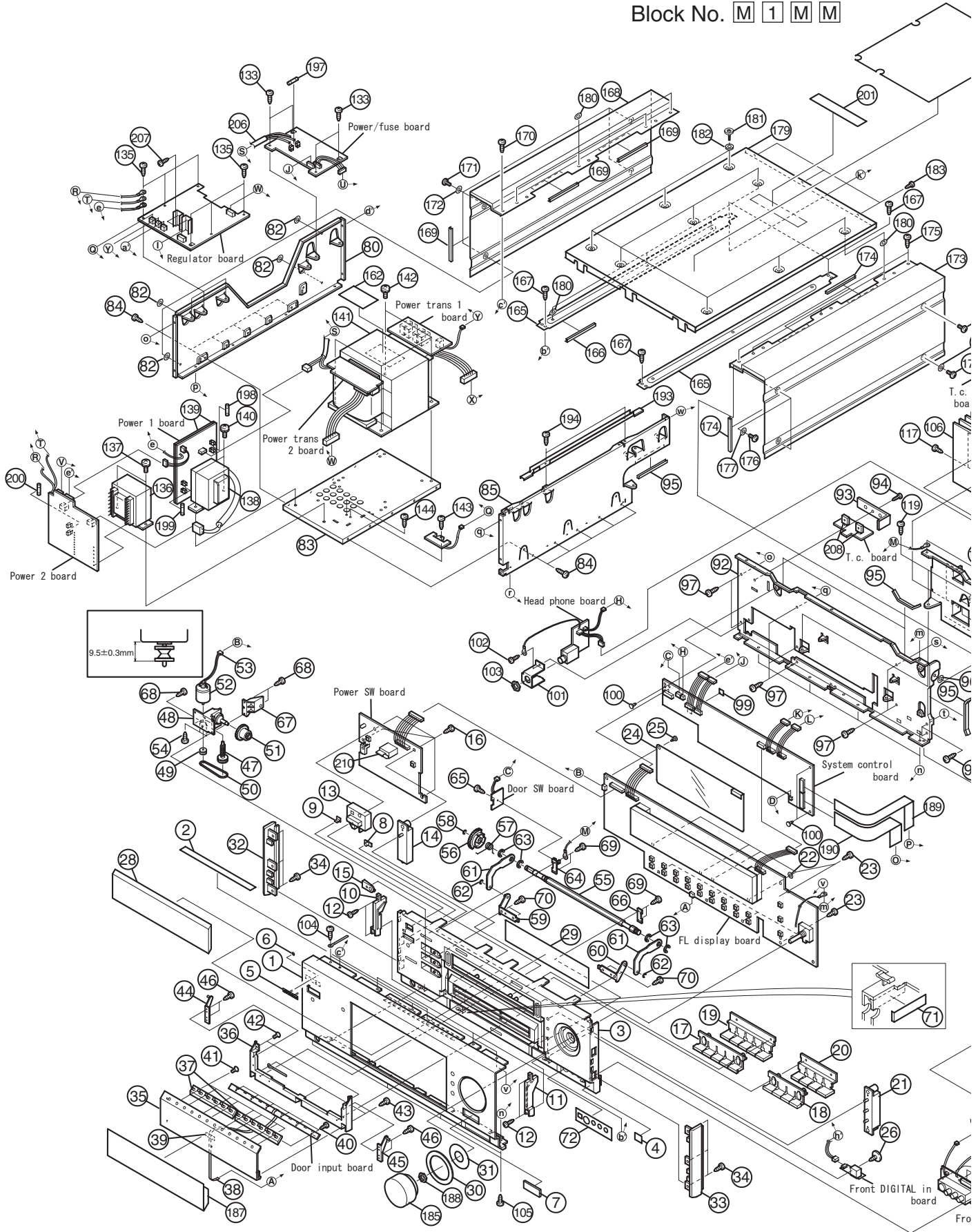
UP ----- Korea

## - Contents -

Exploded view of general assembly and parts list (Block No.M1) .....	3- 2
Electrical parts list (Block No.01~07) .....	3- 6
Packing materials and accessories parts list (Block No.M3).....	3-32

# Exploded view of general assembly and parts list

Block No. M 1 M M





# General assembly

## Block No. [M][1][M][M]

Symbol No.	Part No.	Part Name	Description	Local
1	LV10535-024A	FRONT PANEL		
2	EXO150010H09S11	FELT SPACER		
3	LV10536-026A	FRONT BASE		
4	LV30225-0D5A	SPACER		
5	LV43855-001A	JVC MARK		
6	E60912-003	SPEED NUT		
7	LV43263-002A	K2 MARK		
8	E408131-001	REMOTE LENS		
9	LV42395-001A	INDICATOR		
10	LV32831-002A	GUIDE(L)		
11	LV32832-002A	GUIDE(R)		
12	QYSDSF2608M	TAP SCREW	M2.6 x 8mm(x4)	
13	LV32812-001A	PUSH BUTTON		
14	LV32813-002A	PUSH BUTTON		
15	LV32826-003A	INDICATOR		
16	QYSDSF2608Z	SCREW	2.6mm x 8mm(x4)	
17	LV32815-009A	PUSH BUTTON		
18	LV32816-002A	PUSH BUTTON		
19	LV32817-009A	PUSH BUTTON		
20	LV32818-002A	PUSH BUTTON		
21	LV32814-001A	PUSH BUTTON		
22	FSYS4004-004	WASHER		
23	QYSDSF2608Z	SCREW	2.6mm x 8mm(x9)	
24	LV42684-001A	BARRIER		
25	E310243-002	PLASTIC RIVET		
26	E65923-003	TAPPING SCREW		
27	QYSDSF2608Z	SCREW	2.6mm x 8mm(x3)	
28	LV32811-009A	LENS		
29	LV42095-003A	FL SCREEN		
30	LV42405-003A	VOL RING		
31	LV42726-002A	VOL.SPACER		
32	LV21375-003A	SIDE FITTING(L)		
33	LV21376-003A	SIDE FITTING(R)		
34	QYSBSF3008Z	SCREW	3mm x 8mm(x6)	
35	LV21061-002A	DOOR		
36	LV21062-003A	DOOR BASE		
37	LV21065-003A	PUSH BUTTON	(x2)	
38	WJT0073-001A	E-CARD WIRE		
39	LV30225-074A	SPECER		
40	QYSDSF2004Z	TAP SCREW	M2 x 4mm(x6)	
41	QYSSSG2004Z	TAP SCREW	M2 x 4mm(x8)	
42	QYSSSG2004Z	TAP SCREW	M2 x 4mm(x2)	
43	QYSDSF2606Z	SCREW	2.6mm x 6mm(x3)	
44	LV32835-002A	G.P. BKT(L) ASSY		
45	LV32836-002A	G.P.BKT(R) ASSY		
46	QYSDSF2606Z	SCREW	2.6mm x 6mm(x4)	
47	LV42478-001A	WORM GEAR		
48	LV32837-002A	MOTOR BASE		
49	LV41536-201A	PULLEY		
50	LV41598-001A	BELT		
51	LV32838-001A	WORM WHEEL		
52	QAR0100-001	DC MOTOR		
53	WJM0233-001A	E-SI C WIRE C-F		
54	QYSPSP3004Z	SCREW	M3 x 4mm(x2)	
55	LV32830-001A	MAIN SHAFT		
56	LV42400-001A	MAIN GEAR		
57	LV42729-002A	SPRING		
58	QYREE3000X	E RING	M3	
59	LV32833-002A	H.BKT(L) ASSY		
60	LV32834-002A	H.BKT(R) ASSY		
61	LV42396-002A	ARM	(x2)	
62	QYREE3000X	E RING	M3(x2)	
63	QYREE6000X	E RING	M6(x4)	
64	LV42397-001A	S.STOPPER(L)		
65	QYSDSG2606Z	TAP SCREW	M2.6 x 6mm	
66	LV42398-001A	S.STOPPER(R)		
67	LV32839-001A	WHEEL STOPPER		
68	QYSBSF3008Z	SCREW	3mm x 8mm(x3)	
69	QYSDSF2608Z	SCREW	2.6mm x 8mm(x4)	
70	QYSDSF2606M	TAP SCREW	M2.6 x 6mm(x4)	
71	LV42783-001A	EARTH PLATE		
72	LV43235-005A	SHEET		
73	LV10537-006A	BOTTOM PLATE		
74	E70115-002	CAUTION LABEL		

Symbol No.	Part No.	Part Name	Description	Local
75	E47227-042	FOOT ASSY	(x2)	
76	QYSBST3010Z	TAPPING SCREW	3mm x 10mm(x2)	
77	LV43562-001A	STEEL FOOT	(x3)	
78	LV40247-001A	FOOT	(x3)	
79	QYSPST3016M	TAP SCREW	M3 x 16mm(x3)	
80	LV10541-003A	SIDE BKT(L)		
81	QYSBSGG3008E	TAPPING SCREW	3mm x 8mm(x4)	
82	E73967-006	SPACER	(x4)	
83	LV10542-004A	TRANS BASE		
84	QYSDSG3008E	TAP SCREW	M3 x 8mm(x10)	
85	LV10543-003A	CENTER BKT(L)		
86	QYSBSGG3008E	TAPPING SCREW	3mm x 8mm(x5)	
87	LV10544-002A	CENTER BKT(R)		
88	QYSBSGG3008E	TAPPING SCREW	3mm x 8mm(x5)	
89	LV21066-002A	SIDE BKT(R)		
90	QYSBSGG3008E	TAPPING SCREW	3mm x 8mm(x4)	
91	E73967-006	SPACER	(x2)	
92	LV10539-003A	FRONT BKT		
93	LV41603-001A	LEAF SPRING		
94	QYSBSG3008E	TAPPING SCREW	3mm x 8mm	
95	LV30225-071A	SPACER	(x4)	
96	E73967-006	SPACER		
97	QYSBSGG3008E	TAPPING SCREW	3mm x 8mm(x9)	
98	QYSBSGG3008E	TAPPING SCREW	3mm x 8mm(x5)	
99	LV30225-0C8A	SPACER		
100	E310243-002	PLASTIC RIVET	(x3)	
101	LV43600-001A	H.P.JACK BKT		
102	QYSBSGG3006Z	TAP SCREW	M3 x 6mm	
103	VKZ4150-001	SPECIAL NUT		
104	QYSDSG3008E	TAP SCREW	M3 x 8mm(x3)	
105	QYSBSGG3008E	TAPPING SCREW	3mm x 8mm(x4)	
106	LV32828-006A	HEAT SINK	(x2)	
△ 107	2SC3858/PG/-F1	TRANSISTOR	Q714 Q764 Q814 Q1614 Q1664 Q1714 Q1764(x7)	
△ 108	2SA1494/PG/-F1	TRANSISTOR	Q715 Q765 Q815 Q1615 Q1665 Q1715 Q1765(x7)	
109	E73525-003SS	SCREW	(x28)	
110	QYSBSGG3010E	TAP SCREW	M3 x 10mm(x7)	
111	QYSBSGG3010E	TAP SCREW	M3 x 10mm(x4)	
112	QYSBSGG3010E	TAP SCREW	M3 x 10mm(x2)	
113	LV30225-0D3A	SPACER		
114	LV21067-002A	H.SINK BKT	(x2)	
115	LV30225-071A	SPACER		
116	LV30225-074A	SPECER	(x3)	
117	QYSBSGG3010E	TAP SCREW	M3 x 10mm(x8)	
118	QYSBSG3010E	TAPPING SCREW	3mm x 10mm	
119	QYSBSGG3008E	TAPPING SCREW	3mm x 8mm(x4)	
120	QYSBSGG3008E	TAPPING SCREW	3mm x 8mm(x4)	
121	QYSBSGG3008E	TAPPING SCREW	3mm x 8mm(x7)	
122	E310244-003	FASTENER	(x4)	
123	LV21068-003A	SHIELD COVER		
124	LV30225-0N9A	SPACER		
125	LV30225-0D4A	SPACER	(x2)	
126	LV30226-034A	SPACER	(x2)	
127	E310243-002	PLASTIC RIVET	(x2)	
128	QYSBSGG3008E	TAPPING SCREW	3mm x 8mm	
129	LV30225-0P3A	SPACER		
130	E310243-002	PLASTIC RIVET		
131	LV30225-0C7A	SPACER		
132	E310244-003	FASTENER		
133	QYSBSGG3008E	TAPPING SCREW	3mm x 8mm(x4)	
134	LV30225-074A	SPECER		
135	QYSBSGG3008E	TAPPING SCREW	3mm x 8mm(x6)	
△ 136	QQT0378-002	POWER TRANSF	T 41	
137	QYSDSTL4008E	TAP SCREW	M4 x 8mm(x2)	
△ 138	QQT0379-002	POWER TRANSF	T 42	
139	LV43364-001A	BARRIER	(x2)	
140	QYSDSTL4008E	TAP SCREW	M4 x 8mm(x2)	
△ 141	QQT0380-002	POWER TRANSF	T 1	
142	QYSDSTL4008E	TAP SCREW	M4 x 8mm(x4)	
143	QYSBSG3008E	TAPPING SCREW	3mm x 8mm	
144	QYSDSG3008E	TAP SCREW	M3 x 8mm	
145	LV10728-016A	REAR PANEL		
146	QYSBSGY3008E	SPECIAL SCREW	3mm x 8mm(x8)	
147	QYSBSGY3008E	SPECIAL SCREW	3mm x 8mm(x4)	
148	QYSBSGY3008E	SPECIAL SCREW	3mm x 8mm(x6)	

△ Symbol No.	Part No.	Part Name	Description	Local
149	QYSBSGY3008E	SPECIAL SCREW	3mm x 8mm	
150	QYSBSGY3008E	SPECIAL SCREW	3mm x 8mm(x4)	
151	QYSBSGY3008E	SPECIAL SCREW	3mm x 8mm(x4)	
152	QYSBSGY3008E	SPECIAL SCREW	3mm x 8mm(x3)	
153	QYSBSGY3008E	SPECIAL SCREW	3mm x 8mm(x4)	
154	QYSBSGY3008E	SPECIAL SCREW	3mm x 8mm(x3)	
155	QYSBSGY3008E	SPECIAL SCREW	3mm x 8mm(x6)	
156	QYSBSGY3008E	SPECIAL SCREW	3mm x 8mm(x3)	
157	QYSBSGY3008E	SPECIAL SCREW	3mm x 8mm(x2)	
158	QYSBSGY3008E	SPECIAL SCREW	3mm x 8mm(x5)	
159	QNC0095-001	AC INLET(2PIN)		
160	QYSBSGY3008E	SPECIAL SCREW	3mm x 8mm(x2)	
161	LV34235-001A	PROTECT COVER		
162	LV40911-001A	LABEL		
163	E409257-001	GND TERMINAL		
164	LV43356-001A	KNOB		
165	LV21377-001A	STAY BKT	(x2)	
166	LV30225-071A	SPACER		
167	QYSBSGG3008E	TAPPING SCREW	3mm x 8mm(x4)	
168	LV10726-002A	SIDE PANEL(L)		
169	LV30225-071A	SPACER	(x3)	
170	QYSBSGG3008E	TAPPING SCREW	3mm x 8mm(x2)	
171	LV43258-003A	SPECIAL SCREW	(x4)	
172	QYWSS338005E	WASHER	8mm/3.3mm x 0.5mm(x4)	
173	LV10727-002A	SIDE PANEL(R)		
174	LV30225-071A	SPACER	(x3)	
175	QYSBSGG3008E	TAPPING SCREW	3mm x 8mm(x2)	
176	LV43258-003A	SPECIAL SCREW	(x3)	
177	QYWSS338005E	WASHER	8mm/3.3mm x 0.5mm(x3)	
178	LV43258-004A	SPECIAL SCREW		
179	LV10729-002A	TOP COVER		
180	LV30226-034A	SPACER	(x9)	
181	LV43258-003A	SPECIAL SCREW	(x9)	
182	E69591-001	SPACER	(x9)	
183	LV43258-003A	SPECIAL SCREW	(x3)	
184	LV32842-002A	PROTECT SHEET		
185	LV32822-001A	VOL KNOB		
187	LV33243-001A	PROTECT SHEET		
188	E71862-003T	VOL.NUT		
189	QUQ412-2119DJ	FFC WIRE		
190	QUQ412-2419DJ	FFC WIRE		
191	QUQ412-1605DJ	FFC WIRE		
192	LV30225-074A	SPECER		
193	LV33163-001A	BARRIER	(x2)	
194	QYSBSGG3008E	TAPPING SCREW	3mm x 8mm(x3)	
195	QQR0594-001	NOISE FILTER		
196	QNZ0649-001	EARTH TERMINAL	(x2)	
△ 197	QMF51E2-4R0-J1	FUSE	F 21 4A AC250V	
△ 198	QMF51E2-R16-J1	FUSE	F 41 0.16A AC250V	
△ 199	QMF51E2-1R6-J1	FUSE	F 43 1.6A AC250V	
△ 200	QMF51E2-1R6-J1	FUSE	F 42 1.6A AC250V	
201	E409396-003	CAUTION LABEL		
202	LV30262-043A	UP LABEL		
203	QAM0486-001	SHORT PI PLUG	(x2)	
204	QYSBSG3008E	TAPPING SCREW	3mm x 8mm(x6)	
205	QYSBSG3008E	TAPPING SCREW	3mm x 8mm(x2)	
206	QWTJ809-210	GLASS TUBE		
207	QYSBSG3008E	TAPPING SCREW	3mm x 8mm(x2)	
△ 208	KTA1046/Y/	TRANSISTOR	Q 51 Q 52(x2)	
209	VYSH101-009	SPACER	FS 607	
210	LV32827-002A	LED HOLDER		
211	NNZ0095-001X	EARTH TERMINAL	BC601 BC602 BC603 BC604 BC605 BC606(x6)	
212	QUQ110-2105BJ	FFC WIRE		
213	NNZ0095-001X	EARTH TERMINAL	BC801 BC802(x2)	
214	QQR0594-001	NOISE FILTER		

# Electrical parts list

## Power amp. board

Block No. [0][1][0][0]

△ Symbol No.	Part No.	Part Name	Description	Local	△ Symbol No.	Part No.	Part Name	Description	Local
IC601	VC5022-2	IC	Advanced super A		Q1631	2SC2412K/RS/-X	TRANSISTOR		
IC602	VC5022-2	IC	Advanced super A		Q1632	DTA124EKA-X	DIGI TRANSISTOR		
IC603	VC5022-2	IC	Advanced super A		Q1651	2SC1775A/E/-T	TRANSISTOR		
IC604	VC5022-2	IC	Advanced super A		Q1652	2SC1775A/E/-T	TRANSISTOR		
IC605	VC5022-2	IC	Advanced super A		Q1653	KTC3200/GL/-T	TRANSISTOR		
IC606	VC5022-2	IC	Advanced super A		Q1654	KTC3199/GL/-T	TRANSISTOR		
IC607	VC5022-2	IC	Advanced super A		Q1655	KTA1268/GL/-T	TRANSISTOR		
IC951	TA7317P	IC	Protector		Q1656	KTA1267/YG/-T	TRANSISTOR		
Q701	2SC1775A/E/-T	TRANSISTOR			Q1657	KTA1268/GL/-T	TRANSISTOR		
Q702	2SC1775A/E/-T	TRANSISTOR			Q1658	KTC3200/GL/-T	TRANSISTOR		
Q703	KTC3200/GL/-T	TRANSISTOR			Q1660	KTC3200/GL/-T	TRANSISTOR		
Q704	KTC3199/GL/-T	TRANSISTOR			Q1661	KTA1268/GL/-T	TRANSISTOR		
Q705	KTA1268/GL/-T	TRANSISTOR			Q1662	2SC4883A/Y/	POW TRANSISTOR		
Q706	KTA1267/YG/-T	TRANSISTOR			Q1663	2SA1859A/Y/	POW TRANSISTOR		
Q707	KTA1268/GL/-T	TRANSISTOR			Q1666	2SC2412K/RS/-X	TRANSISTOR		
Q708	KTC3200/GL/-T	TRANSISTOR			Q1667	2SA1037AK/RS/-X	TRANSISTOR		
Q710	KTC3200/GL/-T	TRANSISTOR			Q1681	2SC2412K/RS/-X	TRANSISTOR		
Q711	KTA1268/GL/-T	TRANSISTOR			Q1682	DTA124EKA-X	DIGI TRANSISTOR		
Q712	2SC4883A/Y/	POW TRANSISTOR			Q1701	2SC1775A/E/-T	TRANSISTOR		
Q713	2SA1859A/Y/	POW TRANSISTOR			Q1702	2SC1775A/E/-T	TRANSISTOR		
Q716	2SC2412K/RS/-X	TRANSISTOR			Q1703	KTC3200/GL/-T	TRANSISTOR		
Q717	2SA1037AK/RS/-X	TRANSISTOR			Q1704	KTC3199/GL/-T	TRANSISTOR		
Q731	2SC2412K/RS/-X	TRANSISTOR			Q1705	KTA1268/GL/-T	TRANSISTOR		
Q732	DTA124EKA-X	DIGI TRANSISTOR			Q1706	KTA1267/YG/-T	TRANSISTOR		
Q751	2SC1775A/E/-T	TRANSISTOR			Q1707	KTA1268/GL/-T	TRANSISTOR		
Q752	2SC1775A/E/-T	TRANSISTOR			Q1708	KTC3200/GL/-T	TRANSISTOR		
Q753	KTC3200/GL/-T	TRANSISTOR			Q1710	KTC3200/GL/-T	TRANSISTOR		
Q754	KTC3199/GL/-T	TRANSISTOR			Q1711	KTA1268/GL/-T	TRANSISTOR		
Q755	KTA1268/GL/-T	TRANSISTOR			Q1712	2SC4883A/Y/	POW TRANSISTOR		
Q756	KTA1267/YG/-T	TRANSISTOR			Q1713	2SA1859A/Y/	POW TRANSISTOR		
Q757	KTA1268/GL/-T	TRANSISTOR			Q1716	2SC2412K/RS/-X	TRANSISTOR		
Q758	KTC3200/GL/-T	TRANSISTOR			Q1717	2SA1037AK/RS/-X	TRANSISTOR		
Q760	KTC3200/GL/-T	TRANSISTOR			Q1731	2SC2412K/RS/-X	TRANSISTOR		
Q761	KTA1268/GL/-T	TRANSISTOR			Q1732	DTA124EKA-X	DIGI TRANSISTOR		
Q762	2SC4883A/Y/	POW TRANSISTOR			Q1751	2SC1775A/E/-T	TRANSISTOR		
Q763	2SA1859A/Y/	POW TRANSISTOR			Q1752	2SC1775A/E/-T	TRANSISTOR		
Q766	2SC2412K/RS/-X	TRANSISTOR			Q1753	KTC3200/GL/-T	TRANSISTOR		
Q767	2SA1037AK/RS/-X	TRANSISTOR			Q1754	KTC3199/GL/-T	TRANSISTOR		
Q772	DTD123TK-X	CHIP D.TRANSISTOR			Q1755	KTA1268/GL/-T	TRANSISTOR		
Q781	2SC2412K/RS/-X	TRANSISTOR			Q1756	KTA1267/YG/-T	TRANSISTOR		
Q782	DTA124EKA-X	DIGI TRANSISTOR			Q1757	KTA1268/GL/-T	TRANSISTOR		
Q801	2SC1775A/E/-T	TRANSISTOR			Q1758	KTC3200/GL/-T	TRANSISTOR		
Q802	2SC1775A/E/-T	TRANSISTOR			Q1760	KTC3200/GL/-T	TRANSISTOR		
Q803	KTC3200/GL/-T	TRANSISTOR			Q1761	KTA1268/GL/-T	TRANSISTOR		
Q804	KTC3199/GL/-T	TRANSISTOR			Q1762	2SC4883A/Y/	POW TRANSISTOR		
Q805	KTA1268/GL/-T	TRANSISTOR			Q1763	2SA1859A/Y/	POW TRANSISTOR		
Q806	KTA1267/YG/-T	TRANSISTOR			Q1766	2SC2412K/RS/-X	TRANSISTOR		
Q807	KTA1268/GL/-T	TRANSISTOR			Q1767	2SA1037AK/RS/-X	TRANSISTOR		
Q808	KTC3200/GL/-T	TRANSISTOR			Q1781	2SC2412K/RS/-X	TRANSISTOR		
Q810	KTC3200/GL/-T	TRANSISTOR			Q1782	DTA124EKA-X	DIGI TRANSISTOR		
Q811	KTA1268/GL/-T	TRANSISTOR			Q1901	2SC3906K/RS/-X	P TRANSISTOR		
Q812	2SC4883A/Y/	POW TRANSISTOR			Q1911	2SC3906K/RS/-X	P TRANSISTOR		
Q813	2SA1859A/Y/	POW TRANSISTOR			Q1921	2SC3906K/RS/-X	P TRANSISTOR		
Q816	2SC2412K/RS/-X	TRANSISTOR			Q1931	2SC3906K/RS/-X	P TRANSISTOR		
Q817	2SA1037AK/RS/-X	TRANSISTOR			Q1941	2SC3906K/RS/-X	P TRANSISTOR		
Q831	2SC2412K/RS/-X	TRANSISTOR			Q1951	2SC3906K/RS/-X	P TRANSISTOR		
Q832	DTA124EKA-X	DIGI TRANSISTOR			Q1961	2SC3906K/RS/-X	P TRANSISTOR		
Q1601	2SC1775A/E/-T	TRANSISTOR			Q1971	2SA1514K/RS/-X	TRANSISTOR		
Q1602	2SC1775A/E/-T	TRANSISTOR			Q1991	KRC105M-T	DIGI TRANSISTOR		
Q1603	KTC3200/GL/-T	TRANSISTOR			Q1992	KRC105M-T	DIGI TRANSISTOR		
Q1604	KTC3199/GL/-T	TRANSISTOR			Q1993	KRC105M-T	DIGI TRANSISTOR		
Q1605	KTA1268/GL/-T	TRANSISTOR			Q1994	KRC105M-T	DIGI TRANSISTOR		
Q1606	KTA1267/YG/-T	TRANSISTOR			Q1995	KRC105M-T	DIGI TRANSISTOR		
Q1607	KTA1268/GL/-T	TRANSISTOR			Q1996	KRC105M-T	DIGI TRANSISTOR		
Q1608	KTC3200/GL/-T	TRANSISTOR			D702	1SS133-T2	DIODE		
Q1610	KTC3200/GL/-T	TRANSISTOR			D703	1SS133-T2	DIODE		
Q1611	KTA1268/GL/-T	TRANSISTOR			D708	UDZS24B-X	Z DIODE		
Q1612	2SC4883A/Y/	POW TRANSISTOR			D709	UDZS24B-X	Z DIODE		
Q1613	2SA1859A/Y/	POW TRANSISTOR			D710	1SS355-X	SI DIODE		
Q1616	2SC2412K/RS/-X	TRANSISTOR			D711	1SS355-X	SI DIODE		
Q1617	2SA1037AK/RS/-X	TRANSISTOR			D712	1SS355-X	SI DIODE		
					D713	1SS355-X	SI DIODE		
					D715	HZ3.0BP	Z DIODE		

△ Symbol No.	Part No.	Part Name	Description	Local	△ Symbol No.	Part No.	Part Name	Description	Local
	D716	MTZJ33C-T2	Z DIODE		D1921	1SS133-T2	DIODE		
	D717	MTZJ33C-T2	Z DIODE		D1931	1SS133-T2	DIODE		
△	D745	F10P20F	FR DIODE		D1941	1SS133-T2	DIODE		
△	D746	F10P20FR	FR DIODE		D1951	1SS133-T2	DIODE		
	D752	1SS133-T2	DIODE		D1961	1SS133-T2	DIODE		
	D753	1SS133-T2	DIODE		D1991	1SS133-T2	DIODE		
	D758	UDZS24B-X	Z DIODE		D1992	1SS133-T2	DIODE		
	D759	UDZS24B-X	Z DIODE		D1993	1SS133-T2	DIODE		
	D760	1SS355-X	SI DIODE		D1994	1SS133-T2	DIODE		
	D761	1SS355-X	SI DIODE		D1995	1SS133-T2	DIODE		
	D762	1SS355-X	SI DIODE		D1996	1SS133-T2	DIODE		
	D763	1SS355-X	SI DIODE						
	D765	HZ3.0BP	Z DIODE		C701	QTE1K44-106Z	E CAPACITOR	10uF 80V	
	D766	MTZJ33C-T2	Z DIODE		C702	QCS32HJ-101Z	C CAPACITOR	100pF 500V J	
	D767	MTZJ33C-T2	Z DIODE		C703	QCS32HJ-101Z	C CAPACITOR	100pF 500V J	
	D773	1SS133-T2	DIODE		C704	QFN31HJ-152Z	M CAPACITOR	1500pF 50V J	
	D774	1SS133-T2	DIODE		C705	QCS32HJ-220Z	C CAPACITOR	22pF 500V J	
△	D795	F10P20F	FR DIODE		C707	QCS32HJ-221Z	C CAPACITOR	220pF 500V J	
△	D796	F10P20FR	FR DIODE		C708	QFN31HJ-472Z	M CAPACITOR	4700pF 50V J	
	D802	1SS133-T2	DIODE		C709	QCS32HJ-470Z	C CAPACITOR	47pF 500V J	
	D803	1SS133-T2	DIODE		C710	QCS32HJ-470Z	C CAPACITOR	47pF 500V J	
	D808	UDZS24B-X	Z DIODE		C711	QEZO539-476Z	E CAPACITOR	47uF	
	D809	UDZS24B-X	Z DIODE		C712	QEZO539-476Z	E CAPACITOR	47uF	
	D810	1SS355-X	SI DIODE		C715	QCS32HJ-330Z	C CAPACITOR	33pF 500V J	
	D811	1SS355-X	SI DIODE		C721	NCF21EZ-224X	C CAPACITOR	0.22uF 25V Z	
	D812	1SS355-X	SI DIODE		C731	QEZO539-476Z	E CAPACITOR	47uF	
	D813	1SS355-X	SI DIODE		C735	QFLC1HJ-473Z	M CAPACITOR	0.047uF 50V J	
	D815	HZ3.0BP	Z DIODE		C736	QFLC1HJ-473Z	M CAPACITOR	0.047uF 50V J	
	D816	MTZJ33C-T2	Z DIODE		C737	NFV41HJ-332X	MPPS CAPACITOR	3300pF 50V J	
	D817	MTZJ33C-T2	Z DIODE		C738	QCS31HJ-221Z	C CAPACITOR	3300pF 50V J	
△	D845	F10P20F	FR DIODE		C739	NFV41HJ-332X	MPPS CAPACITOR	3300pF 50V J	
△	D846	F10P20FR	FR DIODE		C740	QCS31HJ-221Z	C CAPACITOR	3300pF 50V J	
	D1602	1SS133-T2	DIODE		C741	QCS32HJ-100Z	C CAPACITOR	10pF 500V J	
	D1603	1SS133-T2	DIODE		C742	QTE1K44-106Z	E CAPACITOR	10uF 80V	
	D1608	UDZS24B-X	Z DIODE		C745	QEZO545-338	E CAPACITOR	3300uF	
	D1609	UDZS24B-X	Z DIODE		C746	QEZO545-338	E CAPACITOR	3300uF	
	D1610	1SS355-X	SI DIODE		C751	QTE1K44-106Z	E CAPACITOR	10uF 80V	
	D1611	1SS355-X	SI DIODE		C752	QCS32HJ-101Z	C CAPACITOR	100pF 500V J	
	D1612	1SS355-X	SI DIODE		C753	QCS32HJ-101Z	C CAPACITOR	100pF 500V J	
	D1613	1SS355-X	SI DIODE		C754	QFN31HJ-152Z	M CAPACITOR	1500pF 50V J	
	D1615	HZ3.0BP	Z DIODE		C755	QCS32HJ-220Z	C CAPACITOR	22pF 500V J	
	D1616	MTZJ33C-T2	Z DIODE		C757	QCS32HJ-221Z	C CAPACITOR	220pF 500V J	
	D1617	MTZJ33C-T2	Z DIODE		C758	QFN31HJ-472Z	M CAPACITOR	4700pF 50V J	
	D1652	1SS133-T2	DIODE		C759	QCS32HJ-470Z	C CAPACITOR	47pF 500V J	
	D1653	1SS133-T2	DIODE		C760	QCS32HJ-470Z	C CAPACITOR	47pF 500V J	
	D1658	UDZS24B-X	Z DIODE		C761	QEZO539-476Z	E CAPACITOR	47uF	
	D1659	UDZS24B-X	Z DIODE		C762	QEZO539-476Z	E CAPACITOR	47uF	
	D1660	1SS355-X	SI DIODE		C765	QCS32HJ-330Z	C CAPACITOR	33pF 500V J	
	D1661	1SS355-X	SI DIODE		C771	NCF21EZ-224X	C CAPACITOR	0.22uF 25V Z	
	D1662	1SS355-X	SI DIODE		C773	QFV72AJ-104Z	MF CAPACITOR	0.1uF 100V J	
	D1663	1SS355-X	SI DIODE		C774	QFV72AJ-104Z	MF CAPACITOR	0.1uF 100V J	
	D1665	HZ3.0BP	Z DIODE		C775	QFV72AJ-104Z	MF CAPACITOR	0.1uF 100V J	
	D1666	MTZJ33C-T2	Z DIODE		C776	QFV72AJ-104Z	MF CAPACITOR	0.1uF 100V J	
	D1667	MTZJ33C-T2	Z DIODE		C781	QEZO539-476Z	E CAPACITOR	47uF	
	D1702	1SS133-T2	DIODE		C785	QFLC1HJ-473Z	M CAPACITOR	0.047uF 50V J	
	D1703	1SS133-T2	DIODE		C786	QFLC1HJ-473Z	M CAPACITOR	0.047uF 50V J	
	D1708	UDZS24B-X	Z DIODE		C787	NFV41HJ-332X	MPPS CAPACITOR	3300pF 50V J	
	D1709	UDZS24B-X	Z DIODE		C788	QCS31HJ-221Z	C CAPACITOR	3300pF 50V J	
	D1710	1SS355-X	SI DIODE		C789	NFV41HJ-332X	MPPS CAPACITOR	3300pF 50V J	
	D1711	1SS355-X	SI DIODE		C790	QCS31HJ-221Z	C CAPACITOR	3300pF 50V J	
	D1712	1SS355-X	SI DIODE		C791	QCS32HJ-100Z	C CAPACITOR	10pF 500V J	
	D1713	1SS355-X	SI DIODE		C792	QTE1K44-106Z	E CAPACITOR	10uF 80V	
	D1715	HZ3.0BP	Z DIODE		C795	QEZO545-338	E CAPACITOR	3300uF	
	D1716	MTZJ33C-T2	Z DIODE		C796	QEZO545-338	E CAPACITOR	3300uF	
	D1717	MTZJ33C-T2	Z DIODE		C801	QTE1K44-106Z	E CAPACITOR	10uF 80V	
	D1752	1SS133-T2	DIODE		C802	QCS32HJ-101Z	C CAPACITOR	100pF 500V J	
	D1753	1SS133-T2	DIODE		C803	QCS32HJ-101Z	C CAPACITOR	100pF 500V J	
	D1758	UDZS24B-X	Z DIODE		C804	QFN31HJ-152Z	M CAPACITOR	1500pF 50V J	
	D1759	UDZS24B-X	Z DIODE		C805	QCS32HJ-220Z	C CAPACITOR	22pF 500V J	
	D1760	1SS355-X	SI DIODE		C807	QCS32HJ-221Z	C CAPACITOR	220pF 500V J	
	D1761	1SS355-X	SI DIODE		C808	QFN31HJ-472Z	M CAPACITOR	4700pF 50V J	
	D1762	1SS355-X	SI DIODE		C809	QCS32HJ-470Z	C CAPACITOR	47pF 500V J	
	D1763	1SS355-X	SI DIODE		C810	QCS32HJ-470Z	C CAPACITOR	47pF 500V J	
	D1765	HZ3.0BP	Z DIODE		C811	QEZO539-476Z	E CAPACITOR	47uF	
	D1766	MTZJ33C-T2	Z DIODE		C812	QEZO539-476Z	E CAPACITOR	47uF	
	D1767	MTZJ33C-T2	Z DIODE		C815	QCS32HJ-330Z	C CAPACITOR	33pF 500V J	
	D1901	1SS133-T2	DIODE		C821	NCF21EZ-224X	C CAPACITOR	0.22uF 25V Z	
	D1911	1SS133-T2	DIODE		C831	QEZO539-476Z	E CAPACITOR	47uF	

△ Symbol No.	Part No.	Part Name	Description	Local	△ Symbol No.	Part No.	Part Name	Description	Local
C835	QFLC1HJ-473Z	M CAPACITOR	0.047uF 50V J		C1758	QFN31HJ-472Z	M CAPACITOR	4700pF 50V J	
C836	QFLC1HJ-473Z	M CAPACITOR	0.047uF 50V J		C1759	QCS32HJ-470Z	C CAPACITOR	47pF 500V J	
C837	NFV41HJ-332X	MPPS CAPACITOR	3300pF 50V J		C1760	QCS32HJ-470Z	C CAPACITOR	47pF 500V J	
C838	QCS31HJ-221Z	C CAPACITOR	3300pF 50V J		C1761	QEZO539-476Z	E CAPACITOR	47uF	
C841	QCS32HJ-100Z	C CAPACITOR	10pF 500V J		C1762	QEZO539-476Z	E CAPACITOR	47uF	
C842	QTE1K44-106Z	E CAPACITOR	10uF 80V		C1765	QCS32HJ-330Z	C CAPACITOR	33pF 500V J	
C895	QEZO545-338	E CAPACITOR	3300uF		C1771	NCF21EZ-224X	C CAPACITOR	0.22uF 25V Z	
C896	QEZO545-338	E CAPACITOR	3300uF		C1772	QFV72AJ-104Z	MF CAPACITOR	0.1uF 100V J	
C1601	QTE1K44-106Z	E CAPACITOR	10uF 80V		C1773	QFV72AJ-104Z	MF CAPACITOR	0.1uF 100V J	
C1602	QCS32HJ-101Z	C CAPACITOR	100pF 500V J		C1774	QFV72AJ-104Z	MF CAPACITOR	0.1uF 100V J	
C1603	QCS32HJ-101Z	C CAPACITOR	100pF 500V J		C1775	QFV72AJ-104Z	MF CAPACITOR	0.1uF 100V J	
C1604	QFN31HJ-152Z	M CAPACITOR	1500pF 50V J		C1776	QFV72AJ-104Z	MF CAPACITOR	0.1uF 100V J	
C1605	QCS32HJ-220Z	C CAPACITOR	22pF 500V J		C1777	QFV72AJ-104Z	MF CAPACITOR	0.1uF 100V J	
C1607	QCS32HJ-221Z	C CAPACITOR	220pF 500V J		C1785	QFLC1HJ-473Z	M CAPACITOR	0.047uF 50V J	
C1608	QFN31HJ-472Z	M CAPACITOR	4700pF 50V J		C1786	QFLC1HJ-473Z	M CAPACITOR	0.047uF 50V J	
C1609	QCS32HJ-470Z	C CAPACITOR	47pF 500V J		C1787	NFV41HJ-332X	MPPS CAPACITOR	3300pF 50V J	
C1610	QCS32HJ-470Z	C CAPACITOR	47pF 500V J		C1788	QCS31HJ-221Z	C CAPACITOR	3300pF 50V J	
C1611	QEZO539-476Z	E CAPACITOR	47uF		C1791	QCS32HJ-100Z	C CAPACITOR	10pF 500V J	
C1612	QEZO539-476Z	E CAPACITOR	47uF		C1792	QTE1K44-106Z	E CAPACITOR	10uF 80V	
C1615	QCS32HJ-330Z	C CAPACITOR	33pF 500V J		C1795	QEZO545-338	E CAPACITOR	3300uF	
C1621	NCF21EZ-224X	C CAPACITOR	0.22uF 25V Z		C1796	QEZO545-338	E CAPACITOR	3300uF	
C1631	QEZO539-476Z	E CAPACITOR	47uF		C1971	QETN1HM-226Z	E CAPACITOR	22uF 50V M	
C1635	QFLC1HJ-473Z	M CAPACITOR	0.047uF 50V J		C1972	QETN1EM-476Z	E CAPACITOR	47uF 25V M	
C1636	QFLC1HJ-473Z	M CAPACITOR	0.047uF 50V J		C1973	NCS21HJ-102X	C CAPACITOR	1000pF 50V J	
C1637	NFV41HJ-332X	MPPS CAPACITOR	3300pF 50V J		C1974	NCF21HZ-103X	C CAPACITOR	0.01uF 50V Z	
C1638	QCS31HJ-221Z	C CAPACITOR	3300pF 50V J		C1975	QETN1HM-226Z	E CAPACITOR	22uF 50V M	
C1641	QCS32HJ-100Z	C CAPACITOR	10pF 500V J		C1981	QETN1HM-105Z	E CAPACITOR	1uF 50V M	
C1642	QTE1K44-106Z	E CAPACITOR	10uF 80V		C1982	QETN1HM-105Z	E CAPACITOR	1uF 50V M	
C1645	QEZO545-338	E CAPACITOR	3300uF		C1983	QETN1HM-105Z	E CAPACITOR	1uF 50V M	
C1646	QEZO545-338	E CAPACITOR	3300uF		C1984	QETN1HM-105Z	E CAPACITOR	1uF 50V M	
C1651	QTE1K44-106Z	E CAPACITOR	10uF 80V		C1985	QETN1HM-105Z	E CAPACITOR	1uF 50V M	
C1652	QCS32HJ-101Z	C CAPACITOR	100pF 500V J		C1986	QETN1HM-105Z	E CAPACITOR	1uF 50V M	
C1653	QCS32HJ-101Z	C CAPACITOR	100pF 500V J		R701	QRZ0133-101	C.RES RMA	100Ω	
C1654	QFN31HJ-152Z	M CAPACITOR	1500pF 50V J		R702	QRA14CF-1003Y	CMF RESISTOR	100kΩ 1/4W F	
C1655	QCS32HJ-220Z	C CAPACITOR	22pF 500V J		R703	QRA14CF-1001Y	CMF RESISTOR	1kΩ 1/4W F	
C1657	QCS32HJ-221Z	C CAPACITOR	220pF 500V J		R704	QRE141J-331Y	C RESISTOR	330Ω 1/4W J	
C1658	QFN31HJ-472Z	M CAPACITOR	4700pF 50V J		R705	QRE141J-104Y	C RESISTOR	100kΩ 1/4W J	
C1659	QCS32HJ-470Z	C CAPACITOR	47pF 500V J		R706	QRE141J-202Y	C RESISTOR	2kΩ 1/4W J	
C1660	QCS32HJ-470Z	C CAPACITOR	47pF 500V J		R707	QRE141J-202Y	C RESISTOR	2kΩ 1/4W J	
C1661	QEZO539-476Z	E CAPACITOR	47uF		R708	QRE141J-101Y	C RESISTOR	100Ω 1/4W J	
C1662	QEZO539-476Z	E CAPACITOR	47uF		R709	QRJ146J-151X	UNF C RESISTOR	150Ω 1/4W J	
C1665	QCS32HJ-330Z	C CAPACITOR	33pF 500V J		R710	QRJ146J-562X	UNF C RESISTOR	5.6kΩ 1/4W J	
C1671	NCF21EZ-224X	C CAPACITOR	0.22uF 25V Z		R711	QRK126J-103X	UNF C RESISTOR	10kΩ 1/2W J	
C1685	QFLC1HJ-473Z	M CAPACITOR	0.047uF 50V J		R712	QRE141J-680Y	C RESISTOR	68Ω 1/4W J	
C1686	QFLC1HJ-473Z	M CAPACITOR	0.047uF 50V J		R713	QRE141J-152Y	C RESISTOR	1.5kΩ 1/4W J	
C1687	NFV41HJ-332X	MPPS CAPACITOR	3300pF 50V J		R714	QRE141J-333Y	C RESISTOR	33kΩ 1/4W J	
C1688	QCS31HJ-221Z	C CAPACITOR	3300pF 50V J		R715	QRE141J-151Y	C RESISTOR	150Ω 1/4W J	
C1691	QCS32HJ-100Z	C CAPACITOR	10pF 500V J		R716	QRE141J-680Y	C RESISTOR	68Ω 1/4W J	
C1692	QTE1K44-106Z	E CAPACITOR	10uF 80V		R717	QRE141J-331Y	C RESISTOR	330Ω 1/4W J	
C1695	QEZO545-338	E CAPACITOR	3300uF		R718	QRE141J-471Y	C RESISTOR	470Ω 1/4W J	
C1696	QEZO545-338	E CAPACITOR	3300uF		R719	QRE141J-391Y	C RESISTOR	390Ω 1/4W J	
C1701	QTE1K44-106Z	E CAPACITOR	10uF 80V		R720	QRJ146J-121X	UNF C RESISTOR	120Ω 1/4W J	
C1702	QCS32HJ-101Z	C CAPACITOR	100pF 500V J		R721	QRJ146J-121X	UNF C RESISTOR	120Ω 1/4W J	
C1703	QCS32HJ-101Z	C CAPACITOR	100pF 500V J		R722	QRJ146J-272X	UNF C RESISTOR	2.7kΩ 1/4W J	
C1704	QFN31HJ-152Z	M CAPACITOR	1500pF 50V J		R723	QRJ146J-120X	UNF C RESISTOR	12Ω 1/4W J	
C1705	QCS32HJ-220Z	C CAPACITOR	22pF 500V J		R724	QRJ146J-120X	UNF C RESISTOR	12Ω 1/4W J	
C1707	QCS32HJ-221Z	C CAPACITOR	220pF 500V J		R725	QRJ146J-271X	UNF C RESISTOR	270Ω 1/4W J	
C1708	QFN31HJ-472Z	M CAPACITOR	4700pF 50V J		R726	QRJ146J-1R0X	UNF C RESISTOR	1Ω 1/4W J	
C1709	QCS32HJ-470Z	C CAPACITOR	47pF 500V J		R727	QRJ146J-1R0X	UNF C RESISTOR	1Ω 1/4W J	
C1710	QCS32HJ-470Z	C CAPACITOR	47pF 500V J		R728	QRZ0182-R10	EMIT.RESISTOR	0.1Ω	
C1711	QEZO539-476Z	E CAPACITOR	47uF		R729	QRZ0182-R10	EMIT.RESISTOR	0.1Ω	
C1712	QEZO539-476Z	E CAPACITOR	47uF		R731	QRL027J-472	OMF RESISTOR	4.7kΩ 2W J	
C1715	QCS32HJ-330Z	C CAPACITOR	33pF 500V J		R732	NRSA02J-331X	MG RESISTOR	330Ω 1/10W J	
C1721	NCF21EZ-224X	C CAPACITOR	0.22uF 25V Z		R733	NRSA02J-103X	MG RESISTOR	10kΩ 1/10W J	
C1735	QFLC1HJ-473Z	M CAPACITOR	0.047uF 50V J		R735	NRSA02J-681X	MG RESISTOR	680Ω 1/10W J	
C1736	QFLC1HJ-473Z	M CAPACITOR	0.047uF 50V J		R736	NRSA02J-681X	MG RESISTOR	680Ω 1/10W J	
C1737	NFV41HJ-332X	MPPS CAPACITOR	3300pF 50V J		R737	NRSA02J-241X	MG RESISTOR	240Ω 1/10W J	
C1738	QCS31HJ-221Z	C CAPACITOR	3300pF 50V J		R738	NRSA02J-241X	MG RESISTOR	240Ω 1/10W J	
C1741	QCS32HJ-100Z	C CAPACITOR	10pF 500V J		R739	NRSA02J-913X	MG RESISTOR	91kΩ 1/10W J	
C1742	QTE1K44-106Z	E CAPACITOR	10uF 80V		R740	NRSA02J-913X	MG RESISTOR	91kΩ 1/10W J	
C1745	QEZO545-338	E CAPACITOR	3300uF		R741	NRSA02J-182X	MG RESISTOR	1.8kΩ 1/10W J	
C1746	QEZO545-338	E CAPACITOR	3300uF		R742	NRSA02J-182X	MG RESISTOR	1.8kΩ 1/10W J	
C1751	QTE1K44-106Z	E CAPACITOR	10uF 80V		R743	QRA14CF-1003Y	CMF RESISTOR	100kΩ 1/4W F	
C1752	QCS32HJ-101Z	C CAPACITOR	100pF 500V J		R744	QRA14CF-3601Y	CMF RESISTOR	3.6kΩ 1/4W F	
C1753	QCS32HJ-101Z	C CAPACITOR	100pF 500V J		R745	QRJ125J-4R7	UNF C RESISTOR	4.7Ω 1/2W J	
C1754	QFN31HJ-152Z	M CAPACITOR	1500pF 50V J		R746	QRL027J-100	OMF RESISTOR	10Ω 2W J	
C1755	QCS32HJ-220Z	C CAPACITOR	22pF 500V J		R751	QRZ0133-101	C.RES RMA	100Ω	
C1757	QCS32HJ-221Z	C CAPACITOR	220pF 500V J						



△ Symbol No.	Part No.	Part Name	Description	Local	△ Symbol No.	Part No.	Part Name	Description	Local
R752	QRA14CF-1003Y	CMF RESISTOR	100kΩ 1/4W F		R837	NRSA02J-241X	MG RESISTOR	240Ω 1/10W J	
R753	QRA14CF-1001Y	CMF RESISTOR	1kΩ 1/4W F		R838	NRSA02J-241X	MG RESISTOR	240Ω 1/10W J	
R754	QRE141J-331Y	C RESISTOR	330Ω 1/4W J		R839	NRSA02J-913X	MG RESISTOR	91kΩ 1/10W J	
R755	QRE141J-104Y	C RESISTOR	100kΩ 1/4W J		R840	NRSA02J-913X	MG RESISTOR	91kΩ 1/10W J	
R756	QRE141J-202Y	C RESISTOR	2kΩ 1/4W J		R841	NRSA02J-182X	MG RESISTOR	1.8kΩ 1/10W J	
R757	QRE141J-202Y	C RESISTOR	2kΩ 1/4W J		R842	NRSA02J-182X	MG RESISTOR	1.8kΩ 1/10W J	
R758	QRE141J-101Y	C RESISTOR	100Ω 1/4W J		R843	QRA14CF-1003Y	CMF RESISTOR	100kΩ 1/4W F	
R759	QRJ146J-151X	UNF C RESISTOR	150Ω 1/4W J		R844	QRA14CF-3601Y	CMF RESISTOR	3.6kΩ 1/4W F	
R760	QRJ146J-562X	UNF C RESISTOR	5.6kΩ 1/4W J		R845	QRJ125J-4R7	UNF C RESISTOR	4.7Ω 1/2W J	
R761	QRK126J-103X	UNF C RESISTOR	10kΩ 1/2W J		R846	QRL027J-100	OMF RESISTOR	10Ω 2W J	
R762	QRE141J-680Y	C RESISTOR	68Ω 1/4W J		R1601	QRV12DF-1000	CMF RESISTOR	100Ω 1/2W F	
R763	QRE141J-152Y	C RESISTOR	1.5kΩ 1/4W J		R1602	QRA14CF-1003Y	CMF RESISTOR	100kΩ 1/4W F	
R764	QRE141J-333Y	C RESISTOR	33kΩ 1/4W J		R1603	QRE141J-102Y	C RESISTOR	1kΩ 1/4W J	
R765	QRE141J-151Y	C RESISTOR	150Ω 1/4W J		R1604	QRE141J-331Y	C RESISTOR	330Ω 1/4W J	
R766	QRE141J-680Y	C RESISTOR	68Ω 1/4W J		R1605	QRE141J-104Y	C RESISTOR	100kΩ 1/4W J	
R767	QRE141J-331Y	C RESISTOR	330Ω 1/4W J		R1606	QRE141J-202Y	C RESISTOR	2kΩ 1/4W J	
R768	QRE141J-471Y	C RESISTOR	470Ω 1/4W J		R1607	QRE141J-202Y	C RESISTOR	2kΩ 1/4W J	
R769	QRE141J-391Y	C RESISTOR	390Ω 1/4W J		R1608	QRE141J-101Y	C RESISTOR	100Ω 1/4W J	
R770	QRJ146J-121X	UNF C RESISTOR	120Ω 1/4W J		R1609	QRJ146J-151X	UNF C RESISTOR	150Ω 1/4W J	
R771	QRJ146J-121X	UNF C RESISTOR	120Ω 1/4W J		R1610	QRJ146J-562X	UNF C RESISTOR	5.6kΩ 1/4W J	
R772	QRJ146J-272X	UNF C RESISTOR	2.7kΩ 1/4W J		R1611	QRK126J-103X	UNF C RESISTOR	10kΩ 1/2W J	
R773	QRJ146J-120X	UNF C RESISTOR	12Ω 1/4W J		R1612	QRE141J-680Y	C RESISTOR	68Ω 1/4W J	
R774	QRJ146J-120X	UNF C RESISTOR	12Ω 1/4W J		R1613	QRE141J-152Y	C RESISTOR	1.5kΩ 1/4W J	
R775	QRJ146J-271X	UNF C RESISTOR	270Ω 1/4W J		R1614	QRE141J-333Y	C RESISTOR	33kΩ 1/4W J	
R776	QRJ146J-1R0X	UNF C RESISTOR	1Ω 1/4W J		R1615	QRE141J-151Y	C RESISTOR	150Ω 1/4W J	
R777	QRJ146J-1R0X	UNF C RESISTOR	1Ω 1/4W J		R1616	QRE141J-680Y	C RESISTOR	68Ω 1/4W J	
R778	QRZ0182-R10	EMIT.RESISTOR	0.1Ω		R1617	QRE141J-331Y	C RESISTOR	330Ω 1/4W J	
R779	QRZ0182-R10	EMIT.RESISTOR	0.1Ω		R1618	QRE141J-471Y	C RESISTOR	470Ω 1/4W J	
R781	QRL027J-472	OMF RESISTOR	4.7kΩ 2W J		R1619	QRE141J-391Y	C RESISTOR	390Ω 1/4W J	
R782	NRSA02J-331X	MG RESISTOR	330Ω 1/10W J		R1620	QRJ146J-121X	UNF C RESISTOR	120Ω 1/4W J	
R783	NRSA02J-103X	MG RESISTOR	10kΩ 1/10W J		R1621	QRJ146J-121X	UNF C RESISTOR	120Ω 1/4W J	
R785	NRSA02J-681X	MG RESISTOR	680Ω 1/10W J		R1622	QRJ146J-272X	UNF C RESISTOR	2.7kΩ 1/4W J	
R786	NRSA02J-681X	MG RESISTOR	680Ω 1/10W J		R1623	QRJ146J-120X	UNF C RESISTOR	12Ω 1/4W J	
R787	NRSA02J-241X	MG RESISTOR	240Ω 1/10W J		R1624	QRJ146J-120X	UNF C RESISTOR	12Ω 1/4W J	
R788	NRSA02J-241X	MG RESISTOR	240Ω 1/10W J		R1625	QRJ146J-271X	UNF C RESISTOR	270Ω 1/4W J	
R789	NRSA02J-913X	MG RESISTOR	91kΩ 1/10W J		R1626	QRJ146J-1R0X	UNF C RESISTOR	1Ω 1/4W J	
R790	NRSA02J-913X	MG RESISTOR	91kΩ 1/10W J		R1627	QRJ146J-1R0X	UNF C RESISTOR	1Ω 1/4W J	
R791	NRSA02J-182X	MG RESISTOR	1.8kΩ 1/10W J		R1628	QRZ0182-R10	EMIT.RESISTOR	0.1Ω	
R792	NRSA02J-182X	MG RESISTOR	1.8kΩ 1/10W J		R1629	QRZ0182-R10	EMIT.RESISTOR	0.1Ω	
R793	QRA14CF-1003Y	CMF RESISTOR	100kΩ 1/4W F		R1631	QRL027J-472	OMF RESISTOR	4.7kΩ 2W J	
R794	QRA14CF-3601Y	CMF RESISTOR	3.6kΩ 1/4W F		R1632	NRSA02J-331X	MG RESISTOR	330Ω 1/10W J	
R795	QRJ125J-4R7	UNF C RESISTOR	4.7Ω 1/2W J		R1633	NRSA02J-103X	MG RESISTOR	10kΩ 1/10W J	
R796	QRL027J-100	OMF RESISTOR	10Ω 2W J		R1635	NRSA02J-681X	MG RESISTOR	680Ω 1/10W J	
R797	QRJ146J-330X	UNF C RESISTOR	33Ω 1/4W J		R1636	NRSA02J-681X	MG RESISTOR	680Ω 1/10W J	
R801	QRZ0133-101	C.RES RMA	100Ω		R1637	NRSA02J-241X	MG RESISTOR	240Ω 1/10W J	
R802	QRA14CF-1003Y	CMF RESISTOR	100kΩ 1/4W F		R1638	NRSA02J-241X	MG RESISTOR	240Ω 1/10W J	
R803	QRA14CF-1001Y	CMF RESISTOR	1kΩ 1/4W F		R1639	NRSA02J-913X	MG RESISTOR	91kΩ 1/10W J	
R804	QRE141J-331Y	C RESISTOR	330Ω 1/4W J		R1640	NRSA02J-913X	MG RESISTOR	91kΩ 1/10W J	
R805	QRE141J-104Y	C RESISTOR	100kΩ 1/4W J		R1641	NRSA02J-182X	MG RESISTOR	1.8kΩ 1/10W J	
R806	QRE141J-202Y	C RESISTOR	2kΩ 1/4W J		R1642	NRSA02J-182X	MG RESISTOR	1.8kΩ 1/10W J	
R807	QRE141J-202Y	C RESISTOR	2kΩ 1/4W J		R1647	QRJ125J-4R7	UNF C RESISTOR	4.7Ω 1/2W J	
R808	QRE141J-101Y	C RESISTOR	100Ω 1/4W J		R1648	QRL027J-100	OMF RESISTOR	10Ω 2W J	
R809	QRJ146J-151X	UNF C RESISTOR	150Ω 1/4W J		R1649	QRA14CF-1003Y	CMF RESISTOR	100kΩ 1/4W F	
R810	QRJ146J-562X	UNF C RESISTOR	5.6kΩ 1/4W J		R1650	QRA14CF-3601Y	CMF RESISTOR	3.6kΩ 1/4W F	
R811	QRK126J-103X	UNF C RESISTOR	10kΩ 1/2W J		R1651	QRV12DF-1000	CMF RESISTOR	100Ω 1/2W F	
R812	QRE141J-680Y	C RESISTOR	68Ω 1/4W J		R1652	QRA14CF-1003Y	CMF RESISTOR	100kΩ 1/4W F	
R813	QRE141J-152Y	C RESISTOR	1.5kΩ 1/4W J		R1653	QRE141J-102Y	C RESISTOR	1kΩ 1/4W J	
R814	QRE141J-333Y	C RESISTOR	33kΩ 1/4W J		R1654	QRE141J-331Y	C RESISTOR	330Ω 1/4W J	
R815	QRE141J-151Y	C RESISTOR	150Ω 1/4W J		R1655	QRE141J-104Y	C RESISTOR	100kΩ 1/4W J	
R816	QRE141J-680Y	C RESISTOR	68Ω 1/4W J		R1656	QRE141J-202Y	C RESISTOR	2kΩ 1/4W J	
R817	QRE141J-331Y	C RESISTOR	330Ω 1/4W J		R1657	QRE141J-202Y	C RESISTOR	2kΩ 1/4W J	
R818	QRE141J-471Y	C RESISTOR	470Ω 1/4W J		R1658	QRE141J-101Y	C RESISTOR	100Ω 1/4W J	
R819	QRE141J-391Y	C RESISTOR	390Ω 1/4W J		R1659	QRJ146J-151X	UNF C RESISTOR	150Ω 1/4W J	
R820	QRJ146J-121X	UNF C RESISTOR	120Ω 1/4W J		R1660	QRJ146J-562X	UNF C RESISTOR	5.6kΩ 1/4W J	
R821	QRJ146J-121X	UNF C RESISTOR	120Ω 1/4W J		R1661	QRK126J-103X	UNF C RESISTOR	10kΩ 1/2W J	
R822	QRJ146J-272X	UNF C RESISTOR	2.7kΩ 1/4W J		R1662	QRE141J-680Y	C RESISTOR	68Ω 1/4W J	
R823	QRJ146J-120X	UNF C RESISTOR	12Ω 1/4W J		R1663	QRE141J-152Y	C RESISTOR	1.5kΩ 1/4W J	
R824	QRJ146J-120X	UNF C RESISTOR	12Ω 1/4W J		R1664	QRE141J-333Y	C RESISTOR	33kΩ 1/4W J	
R825	QRJ146J-271X	UNF C RESISTOR	270Ω 1/4W J		R1665	QRE141J-151Y	C RESISTOR	150Ω 1/4W J	
R826	QRJ146J-1R0X	UNF C RESISTOR	1Ω 1/4W J		R1666	QRE141J-680Y	C RESISTOR	68Ω 1/4W J	
R827	QRJ146J-1R0X	UNF C RESISTOR	1Ω 1/4W J		R1667	QRE141J-331Y	C RESISTOR	330Ω 1/4W J	
R828	QRZ0182-R10	EMIT.RESISTOR	0.1Ω		R1668	QRE141J-471Y	C RESISTOR	470Ω 1/4W J	
R829	QRZ0182-R10	EMIT.RESISTOR	0.1Ω		R1669	QRE141J-391Y	C RESISTOR	390Ω 1/4W J	
R831	QRL027J-472	OMF RESISTOR	4.7kΩ 2W J		R1670	QRJ146J-121X	UNF C RESISTOR	120Ω 1/4W J	
R832	NRSA02J-331X	MG RESISTOR	330Ω 1/10W J		R1671	QRJ146J-121X	UNF C RESISTOR	120Ω 1/4W J	
R833	NRSA02J-103X	MG RESISTOR	10kΩ 1/10W J		R1672	QRJ146J-272X	UNF C RESISTOR	2.7kΩ 1/4W J	
R835	NRSA02J-681X	MG RESISTOR	680Ω 1/10W J		R1673	QRJ146J-120X	UNF C RESISTOR	12Ω 1/4W J	
R836	NRSA02J-681X	MG RESISTOR	680Ω 1/10W J		R1674	QRJ146J-120X	UNF C RESISTOR	12Ω 1/4W J	

△ Symbol No.	Part No.	Part Name	Description	Local	△ Symbol No.	Part No.	Part Name	Description	Local
R1675	QRJ146J-271X	UNF C RESISTOR	270Ω 1/4W J		R1767	QRE141J-331Y	C RESISTOR	330Ω 1/4W J	
R1676	QRJ146J-1R0X	UNF C RESISTOR	1Ω 1/4W J		R1768	QRE141J-471Y	C RESISTOR	470Ω 1/4W J	
R1677	QRJ146J-1R0X	UNF C RESISTOR	1Ω 1/4W J		R1769	QRE141J-391Y	C RESISTOR	390Ω 1/4W J	
R1678	QRZ0182-R10	EMIT.RESISTOR	0.1Ω		R1770	QRJ146J-121X	UNF C RESISTOR	120Ω 1/4W J	
R1679	QRZ0182-R10	EMIT.RESISTOR	0.1Ω		R1771	QRJ146J-121X	UNF C RESISTOR	120Ω 1/4W J	
R1682	NRSA02J-331X	MG RESISTOR	330Ω 1/10W J		R1772	QRJ146J-272X	UNF C RESISTOR	2.7kΩ 1/4W J	
R1683	NRSA02J-103X	MG RESISTOR	10kΩ 1/10W J		R1773	QRJ146J-120X	UNF C RESISTOR	12Ω 1/4W J	
R1685	NRSA02J-681X	MG RESISTOR	680Ω 1/10W J		R1774	QRJ146J-120X	UNF C RESISTOR	12Ω 1/4W J	
R1686	NRSA02J-681X	MG RESISTOR	680Ω 1/10W J		R1775	QRJ146J-271X	UNF C RESISTOR	270Ω 1/4W J	
R1687	NRSA02J-241X	MG RESISTOR	240Ω 1/10W J		R1776	QRJ146J-1R0X	UNF C RESISTOR	1Ω 1/4W J	
R1688	NRSA02J-241X	MG RESISTOR	240Ω 1/10W J		R1777	QRJ146J-1R0X	UNF C RESISTOR	1Ω 1/4W J	
R1689	NRSA02J-913X	MG RESISTOR	91kΩ 1/10W J		R1778	QRZ0182-R10	EMIT.RESISTOR	0.1Ω	
R1690	NRSA02J-913X	MG RESISTOR	91kΩ 1/10W J		R1779	QRZ0182-R10	EMIT.RESISTOR	0.1Ω	
R1691	NRSA02J-182X	MG RESISTOR	1.8kΩ 1/10W J		R1782	NRSA02J-331X	MG RESISTOR	330Ω 1/10W J	
R1692	NRSA02J-182X	MG RESISTOR	1.8kΩ 1/10W J		R1783	NRSA02J-103X	MG RESISTOR	10kΩ 1/10W J	
R1693	QRJ125J-4R7	UNF C RESISTOR	4.7Ω 1/2W J		R1785	NRSA02J-681X	MG RESISTOR	680Ω 1/10W J	
R1694	QRL027J-100	OMF RESISTOR	10Ω 2W J		R1786	NRSA02J-681X	MG RESISTOR	680Ω 1/10W J	
R1695	QRA14CF-1003Y	CMF RESISTOR	100kΩ 1/4W F		R1787	NRSA02J-241X	MG RESISTOR	240Ω 1/10W J	
R1696	QRA14CF-3601Y	CMF RESISTOR	3.6kΩ 1/4W F		R1788	NRSA02J-241X	MG RESISTOR	240Ω 1/10W J	
R1701	QRZ0133-101	C.RES RMA	100Ω		R1789	NRSA02J-913X	MG RESISTOR	91kΩ 1/10W J	
R1702	QRA14CF-1003Y	CMF RESISTOR	100kΩ 1/4W F		R1790	NRSA02J-913X	MG RESISTOR	91kΩ 1/10W J	
R1703	QRA14CF-1001Y	CMF RESISTOR	1kΩ 1/4W F		R1791	NRSA02J-182X	MG RESISTOR	1.8kΩ 1/10W J	
R1704	QRE141J-331Y	C RESISTOR	330Ω 1/4W J		R1792	NRSA02J-182X	MG RESISTOR	1.8kΩ 1/10W J	
R1705	QRE141J-104Y	C RESISTOR	100kΩ 1/4W J		R1793	QRA14CF-1003Y	CMF RESISTOR	100kΩ 1/4W F	
R1706	QRE141J-202Y	C RESISTOR	2kΩ 1/4W J		R1794	QRA14CF-3601Y	CMF RESISTOR	3.6kΩ 1/4W F	
R1707	QRE141J-202Y	C RESISTOR	2kΩ 1/4W J		R1795	QRJ125J-4R7	UNF C RESISTOR	4.7Ω 1/2W J	
R1708	QRE141J-101Y	C RESISTOR	100Ω 1/4W J		R1796	QRL027J-100	OMF RESISTOR	10Ω 2W J	
R1709	QRJ146J-151X	UNF C RESISTOR	150Ω 1/4W J		R1901	NRSA02J-122X	MG RESISTOR	1.2kΩ 1/10W J	
R1710	QRJ146J-562X	UNF C RESISTOR	5.6kΩ 1/4W J		R1902	NRSA02J-153X	MG RESISTOR	15kΩ 1/10W J	
R1711	QRK126J-103X	UNF C RESISTOR	10kΩ 1/2W J		R1903	NRSA02J-123X	MG RESISTOR	12kΩ 1/10W J	
R1712	QRE141J-680Y	C RESISTOR	68Ω 1/4W J		R1904	NRSA02J-104X	MG RESISTOR	100kΩ 1/10W J	
R1713	QRE141J-152Y	C RESISTOR	1.5kΩ 1/4W J		R1911	NRSA02J-122X	MG RESISTOR	1.2kΩ 1/10W J	
R1714	QRE141J-333Y	C RESISTOR	33kΩ 1/4W J		R1912	NRSA02J-153X	MG RESISTOR	15kΩ 1/10W J	
R1715	QRE141J-151Y	C RESISTOR	150Ω 1/4W J		R1913	NRSA02J-123X	MG RESISTOR	12kΩ 1/10W J	
R1716	QRE141J-680Y	C RESISTOR	68Ω 1/4W J		R1914	NRSA02J-104X	MG RESISTOR	100kΩ 1/10W J	
R1717	QRE141J-331Y	C RESISTOR	330Ω 1/4W J		R1921	NRSA02J-122X	MG RESISTOR	1.2kΩ 1/10W J	
R1718	QRE141J-471Y	C RESISTOR	470Ω 1/4W J		R1922	NRSA02J-153X	MG RESISTOR	15kΩ 1/10W J	
R1719	QRE141J-391Y	C RESISTOR	390Ω 1/4W J		R1923	NRSA02J-123X	MG RESISTOR	12kΩ 1/10W J	
R1720	QRJ146J-121X	UNF C RESISTOR	120Ω 1/4W J		R1924	NRSA02J-104X	MG RESISTOR	100kΩ 1/10W J	
R1721	QRJ146J-121X	UNF C RESISTOR	120Ω 1/4W J		R1931	NRSA02J-122X	MG RESISTOR	1.2kΩ 1/10W J	
R1722	QRJ146J-272X	UNF C RESISTOR	2.7kΩ 1/4W J		R1932	NRSA02J-153X	MG RESISTOR	15kΩ 1/10W J	
R1723	QRJ146J-120X	UNF C RESISTOR	12Ω 1/4W J		R1933	NRSA02J-123X	MG RESISTOR	12kΩ 1/10W J	
R1724	QRJ146J-120X	UNF C RESISTOR	12Ω 1/4W J		R1934	NRSA02J-104X	MG RESISTOR	100kΩ 1/10W J	
R1725	QRJ146J-271X	UNF C RESISTOR	270Ω 1/4W J		R1941	NRSA02J-122X	MG RESISTOR	1.2kΩ 1/10W J	
R1726	QRJ146J-1R0X	UNF C RESISTOR	1Ω 1/4W J		R1942	NRSA02J-153X	MG RESISTOR	15kΩ 1/10W J	
R1727	QRJ146J-1R0X	UNF C RESISTOR	1Ω 1/4W J		R1943	NRSA02J-123X	MG RESISTOR	12kΩ 1/10W J	
R1728	QRZ0182-R10	EMIT.RESISTOR	0.1Ω		R1944	NRSA02J-104X	MG RESISTOR	100kΩ 1/10W J	
R1729	QRZ0182-R10	EMIT.RESISTOR	0.1Ω		R1951	NRSA02J-122X	MG RESISTOR	1.2kΩ 1/10W J	
R1732	NRSA02J-331X	MG RESISTOR	330Ω 1/10W J		R1952	NRSA02J-153X	MG RESISTOR	15kΩ 1/10W J	
R1733	NRSA02J-103X	MG RESISTOR	10kΩ 1/10W J		R1953	NRSA02J-123X	MG RESISTOR	12kΩ 1/10W J	
R1735	NRSA02J-681X	MG RESISTOR	680Ω 1/10W J		R1954	NRSA02J-104X	MG RESISTOR	100kΩ 1/10W J	
R1736	NRSA02J-681X	MG RESISTOR	680Ω 1/10W J		R1961	NRSA02J-122X	MG RESISTOR	1.2kΩ 1/10W J	
R1737	NRSA02J-241X	MG RESISTOR	240Ω 1/10W J		R1962	NRSA02J-153X	MG RESISTOR	15kΩ 1/10W J	
R1738	NRSA02J-241X	MG RESISTOR	240Ω 1/10W J		R1963	NRSA02J-123X	MG RESISTOR	12kΩ 1/10W J	
R1739	NRSA02J-913X	MG RESISTOR	91kΩ 1/10W J		R1964	NRSA02J-104X	MG RESISTOR	100kΩ 1/10W J	
R1740	NRSA02J-913X	MG RESISTOR	91kΩ 1/10W J		R1971	NRSA02J-103X	MG RESISTOR	10kΩ 1/10W J	
R1741	NRSA02J-182X	MG RESISTOR	1.8kΩ 1/10W J		R1972	NRSA02J-332X	MG RESISTOR	3.3kΩ 1/10W J	
R1742	NRSA02J-182X	MG RESISTOR	1.8kΩ 1/10W J		R1973	NRSA02J-473X	MG RESISTOR	47kΩ 1/10W J	
R1743	QRA14CF-1003Y	CMF RESISTOR	100kΩ 1/4W F		R1974	NRSA02J-563X	MG RESISTOR	56kΩ 1/10W J	
R1744	QRA14CF-3601Y	CMF RESISTOR	3.6kΩ 1/4W F		R1975	NRSA02J-683X	MG RESISTOR	68kΩ 1/10W J	
R1745	QRJ125J-4R7	UNF C RESISTOR	4.7Ω 1/2W J		R1976	QRE141J-273Y	C RESISTOR	27kΩ 1/4W J	
R1746	QRL027J-100	OMF RESISTOR	10Ω 2W J		R1977	NRSA02J-224X	MG RESISTOR	220kΩ 1/10W J	
R1751	QRZ0133-101	C.RES RMA	100Ω		R1978	QRE141J-223Y	C RESISTOR	22kΩ 1/4W J	
R1752	QRA14CF-1003Y	CMF RESISTOR	100kΩ 1/4W F		R1979	NRSA02J-224X	MG RESISTOR	220kΩ 1/10W J	
R1753	QRA14CF-1001Y	CMF RESISTOR	1kΩ 1/4W F		R1981	QRJ146J-4R7X	UNF C RESISTOR	4.7Ω 1/4W J	
R1754	QRE141J-331Y	C RESISTOR	330Ω 1/4W J		VR701	QVP0008-501Z	TRIM RESISTOR	500Ω	
R1755	QRE141J-104Y	C RESISTOR	100kΩ 1/4W J		VR702	QVP0008-501Z	TRIM RESISTOR	500Ω	
R1756	QRE141J-202Y	C RESISTOR	2kΩ 1/4W J		VR751	QVP0008-501Z	TRIM RESISTOR	500Ω	
R1757	QRE141J-202Y	C RESISTOR	2kΩ 1/4W J		VR752	QVP0008-501Z	TRIM RESISTOR	500Ω	
R1758	QRE141J-101Y	C RESISTOR	100Ω 1/4W J		VR771	QVP0008-501Z	TRIM RESISTOR	500Ω	
R1759	QRJ146J-151X	UNF C RESISTOR	150Ω 1/4W J		VR772	QVP0008-501Z	TRIM RESISTOR	500Ω	
R1760	QRJ146J-562X	UNF C RESISTOR	5.6kΩ 1/4W J		VR801	QVP0008-501Z	TRIM RESISTOR	500Ω	
R1761	QRK126J-103X	UNF C RESISTOR	10kΩ 1/2W J		L701	QQR1339-001	COIL		
R1762	QRE141J-680Y	C RESISTOR	68Ω 1/4W J		L751	QQR1339-001	COIL		
R1763	QRE141J-152Y	C RESISTOR	1.5kΩ 1/4W J		L801	QQR1339-001	COIL		
R1764	QRE141J-333Y	C RESISTOR	33kΩ 1/4W J		L1601	QQR1339-001	COIL		
R1765	QRE141J-151Y	C RESISTOR	150Ω 1/4W J		L1651	QQR1339-001	COIL		
R1766	QRE141J-680Y	C RESISTOR	68Ω 1/4W J						

△ Symbol No.	Part No.	Part Name	Description	Local
L1701	QQR1339-001	COIL		
L1751	QQR1339-001	COIL		
CN701	QGA3901C1-06	CONNECTOR	W-B (1-6)	
CN711	QGB2510K2-06	CONNECTOR	B-B (1-6)	
CN712	QGB2012K1-07	CONNECTOR	B-B (1-7)	
CN713	QGB2012K1-06	CONNECTOR	B-B (1-6)	
CN721	QGB2510J1-06	CONNECTOR	B-B (1-6)	
CN722	QGB2012J1-07	CONNECTOR	B-B (1-7)	
CN723	QGB2012J1-06	CONNECTOR	B-B (1-6)	
CN738	QGA2501C1-03	CONNECTOR	W-B (1-3)	
CN741	QGA3901C1-10	CONNECTOR	W-B (1-10)	
CN742	QGA3901C1-04	CONNECTOR	W-B (1-4)	
CN743	QGA2001C1-09	CONNECTOR	W-B (1-9)	
CN751	QGB2510K2-06	CONNECTOR	B-B (1-6)	
CN752	QGB2012K1-07	CONNECTOR	B-B (1-7)	
CN753	QGB2012K1-06	CONNECTOR	B-B (1-6)	
CN761	QGB2510J1-06	CONNECTOR	B-B (1-6)	
CN762	QGB2012J1-07	CONNECTOR	B-B (1-7)	
CN763	QGB2012J1-06	CONNECTOR	B-B (1-6)	
CN771	QGB2510K2-06	CONNECTOR	B-B (1-6)	
CN772	QGB2012K1-06	CONNECTOR	B-B (1-6)	
CN773	QGB2012K1-07	CONNECTOR	B-B (1-7)	
CN781	QGB2510J1-06	CONNECTOR	B-B (1-6)	
CN782	QGB2012J1-06	CONNECTOR	B-B (1-6)	
CN783	QGB2012J1-07	CONNECTOR	B-B (1-7)	
CN811	QGB1214K1-08S	CONNECTOR	B-B (1-8)	
CN812	QGB2012K1-06	CONNECTOR	B-B (1-6)	
CN813	QGB2012K1-06	CONNECTOR	B-B (1-6)	
CN821	QGB1214J1-08S	CONNECTOR	B-B (1-8)	
CN822	QGB2012J1-06	CONNECTOR	B-B (1-6)	
CN823	QGB2012J1-06	CONNECTOR	B-B (1-6)	
EP701	QNZ0136-001Z	EARTH PLATE		
HS701	LV43256-001A	HEAT SINK		
HS702	LV43256-001A	HEAT SINK		
RY751	QSK0112-001	RELAY		
RY901	QSK0109-001	RELAY		
RY902	QSK0109-001	RELAY		
RY903	QSK0109-001	RELAY		
RY904	QSK0109-001	RELAY		
RY905	QSK0109-001	RELAY		
RY906	QSK0149-001	RELAY		
ST901	QNB0197-001	SPK TERMINAL 8P		
ST902	QNB0198-001	SPK TERMINAL 6P		
ST903	QNB0199-001	SPK TERMINAL 4P		
TH701	QAD0010-351	THERMISTOR	350Ω	
TH702	QAD0010-351	THERMISTOR	350Ω	
TH703	QAD0010-351	THERMISTOR	350Ω	
TH704	QAD0010-351	THERMISTOR	350Ω	
TH705	QAD0010-351	THERMISTOR	350Ω	
TH706	QAD0010-351	THERMISTOR	350Ω	
TH751	QAD0010-351	THERMISTOR	350Ω	
TH752	QAD0010-351	THERMISTOR	350Ω	
TH753	QAD0010-351	THERMISTOR	350Ω	
TH754	QAD0010-351	THERMISTOR	350Ω	
TH755	QAD0010-351	THERMISTOR	350Ω	
TH756	QAD0010-351	THERMISTOR	350Ω	
TH771	QAD0010-351	THERMISTOR	350Ω	
TH772	QAD0010-351	THERMISTOR	350Ω	
TH773	QAD0010-351	THERMISTOR	350Ω	
TH774	QAD0010-351	THERMISTOR	350Ω	
TH775	QAD0010-351	THERMISTOR	350Ω	
TH776	QAD0010-351	THERMISTOR	350Ω	
TH801	QAD0010-351	THERMISTOR	350Ω	
TH802	QAD0010-351	THERMISTOR	350Ω	
TH803	QAD0010-351	THERMISTOR	350Ω	
TW701	QUB050-40FMQP	LUG WIRE		
TW702	QUB111-32PPPP	SIN TWIST WIRE		
WR701	WJK0159-001A	E-SI C WIRE C-B		
WR702	QJK016-033603	SIN CR C-B WIRE		
WR703	QJK016-053800	SIN CR C-B WIRE		
WR711	WJK0139-001A	E-SI C WIRE C-B		
WR712	WJK0139-001A	E-SI C WIRE C-B		
WR713	WJK0139-002A	E-SI C WIRE C-B		
WR714	WJK0139-003A	E-SI C WIRE C-B		
WR715	WJK0139-002A	E-SI C WIRE C-B		
WR716	WJK0140-001A	E-SI C WIRE C-B		
WR717	WJK0140-002A	E-SI C WIRE C-B		

△ Symbol No.	Part No.	Part Name	Description	Local
WR731	WJK0149-001A	E-SI C WIRE C-B		
WR736	WJK0150-001A	E-SI C WIRE C-B		

## Input board

Block No. [0][2][0][0]

△ Symbol No.	Part No.	Part Name	Description	Local
IC201	NJM4580E-W	IC	Dual Ope amp	
IC202	TC9164AF-X	IC	Analog switch	
IC203	TC9164AF-X	IC	Analog switch	
IC204	NJM5532M-D-XE	IC	Low-noise Dual Operational Amplifier	
IC211	TC9162AF-X	IC	Analog switch	
IC213	TC9162AF-X	IC	Analog switch	
IC221	TC9459F-X	IC	Electronic volume control	
IC222	TC9459F-X	IC	Electronic volume control	
IC223	TC9459F-X	IC	Electronic volume control	
IC224	TC9459F-X	IC	Electronic volume control	
IC241	NJM4580E-W	IC	Dual Ope amp	
IC251	NJM5532M-D-XE	IC	Low-noise Dual Operational Amplifier	
IC252	NJM5532M-D-XE	IC	Low-noise Dual Operational Amplifier	
IC253	NJM5532M-D-XE	IC	Low-noise Dual Operational Amplifier	
IC254	NJM5532M-D-XE	IC	Low-noise Dual Operational Amplifier	
IC271	NJM5532M-D-XE	IC	Low-noise Dual Operational Amplifier	
IC272	NJM4580E-W	IC	Dual Ope amp	
IC281	NJM4580E-W	IC	Dual Ope amp	
IC282	NJM2903M-XE	IC	Single-supply Dual Comparator	
IC283	NJM78L05A-T	IC	Regulator	
IC321	TC9163AF-X	IC	Analog Switch	
IC322	TC9163AF-X	IC	Analog Switch	
IC401	NJM2286V-W	IC	2 Input 3 Channel Video switch	
IC402	MM1118XF-X	IC	3-input 1-output video switch	
IC404	NJM2286V-W	IC	2 Input 3 Channel Video switch	
IC405	LC74761M-9847-X	IC		
IC461	NJM2286V-W	IC	2 Input 3 Channel Video switch	
IC462	MM1118XF-X	IC	3-input 1-output video switch	
IC464	NJM2285V-W	IC	2 Input 3 Channel Video switch	
IC465	NJM2283V-W	IC	2 Input 3 Channel Video switch	
IC466	MM1118XF-X	IC	3-input 1-output video switch	
IC468	NJM2283V-W	IC	2 Input 3 Channel Video switch	
IC471	BU4051BC	IC	Analog multiplexers/DE multiplexers	
IC483	NJM2509V-W	IC	Video Super Inposer with Y-C Mixer	
Q201	2SK170/L-T	FET		
Q202	2SK170/L-T	FET		
Q203	2SK170/L-T	FET		
Q204	2SK170/L-T	FET		
Q205	2SA970/GL-T	TRANSISTOR		

△ Symbol No.	Part No.	Part Name	Description	Local	△ Symbol No.	Part No.	Part Name	Description	Local
Q206	2SA970/GL/-T	TRANSISTOR			D461	1SS133-T2	DIODE		
Q207	KRC105M-T	DIGI TRANSISTOR			D462	1SS133-T2	DIODE		
Q209	2SK2980-X	MOS FET			D463	1SS133-T2	DIODE		
Q210	2SK2980-X	MOS FET			D464	1SS133-T2	DIODE		
Q211	DTC123JKA-X	CHIP D.TRANSISTOR			D465	1SS133-T2	DIODE		
Q212	KRA107S-X	DIGI TRANSISTOR			D466	1SS133-T2	DIODE		
Q213	2SC1740S/RS/-T	TRANSISTOR			D467	1SS133-T2	DIODE		
Q214	2SA933S/RS/-T	TRANSISTOR			D468	1SS133-T2	DIODE		
Q271	2SD468/BC/-T	TRANSISTOR			D469	1SS133-T2	DIODE		
Q272	2SD468/BC/-T	TRANSISTOR			D470	1SS133-T2	DIODE		
Q291	2SC3576-JVC-T	TRANSISTOR			D2501	1SS355-X	SI DIODE		
Q292	2SC3576-JVC-T	TRANSISTOR			D2502	1SS355-X	SI DIODE		
Q293	2SC3576-JVC-T	TRANSISTOR			D2503	1SS355-X	SI DIODE		
Q294	2SD2144S/VW/-T	TRANSISTOR			D2504	1SS355-X	SI DIODE		
Q295	2SC3576-JVC-T	TRANSISTOR			D2505	1SS355-X	SI DIODE		
Q296	2SC3576-JVC-T	TRANSISTOR			D2506	1SS355-X	SI DIODE		
Q297	2SC3576-JVC-T	TRANSISTOR			D2507	1SS355-X	SI DIODE		
Q298	2SC3576-JVC-T	TRANSISTOR			D2508	1SS355-X	SI DIODE		
Q299	KRA107S-X	DIGI TRANSISTOR							
Q300	DTA143EKA-X	TRANSISTOR			C201	NCS31HJ-561X	C CAPACITOR	560pF 50V J	
Q323	2SC3576-JVC-T	TRANSISTOR			C202	NCS31HJ-561X	C CAPACITOR	560pF 50V J	
Q324	2SC3576-JVC-T	TRANSISTOR			C203	NCS31HJ-471X	C CAPACITOR	470pF 50V J	
Q329	2SC3576-JVC-T	TRANSISTOR			C204	NCS31HJ-471X	C CAPACITOR	470pF 50V J	
Q330	2SC3576-JVC-T	TRANSISTOR			C205	QFN31HJ-562Z	M CAPACITOR	5600pF 50V J	
Q332	DTC114YKA-X	DIGI TRANSISTOR			C206	QFN31HJ-562Z	M CAPACITOR	5600pF 50V J	
Q334	DTC114YKA-X	DIGI TRANSISTOR			C207	QFN31HJ-682Z	M CAPACITOR	6800pF 50V J	
Q342	KRA107S-X	DIGI TRANSISTOR			C208	QFN31HJ-682Z	M CAPACITOR	6800pF 50V J	
Q343	KRA107S-X	DIGI TRANSISTOR			C209	QFN31HJ-472Z	M CAPACITOR	4700pF 50V J	
Q345	KRA107S-X	DIGI TRANSISTOR			C210	QFN31HJ-472Z	M CAPACITOR	4700pF 50V J	
Q351	KRC105M-T	DIGI TRANSISTOR			C211	QFN31HJ-103Z	M CAPACITOR	0.01uF 50V J	
Q401	KTA1267/YG/-T	TRANSISTOR			C212	QFN31HJ-103Z	M CAPACITOR	0.01uF 50V J	
Q402	KTC3199/GL/-T	TRANSISTOR			C213	NCS31HJ-470X	C CAPACITOR	47pF 50V J	
Q403	KTA1267/YG/-T	TRANSISTOR			C214	NCS31HJ-470X	C CAPACITOR	47pF 50V J	
Q404	KTC3199/GL/-T	TRANSISTOR			C215	QCS31HJ-221Z	C CAPACITOR	220pF 50V J	
Q405	KTA1267/YG/-T	TRANSISTOR			C216	QCS31HJ-221Z	C CAPACITOR	220pF 50V J	
Q409	KRC110M-T	TRANSISTOR			C217	QETN0JM-228Z	E CAPACITOR	2200uF 6.3V M	
Q410	KRC110M-T	TRANSISTOR			C218	QETN0JM-228Z	E CAPACITOR	2200uF 6.3V M	
Q411	KRC107M-T	DIGI TRANSISTOR			C219	QTE1H44-226Z	E CAPACITOR	22uF 50V	
Q412	KRC107M-T	DIGI TRANSISTOR			C220	QTE1H44-226Z	E CAPACITOR	22uF 50V	
Q413	DTC114YKA-X	DIGI TRANSISTOR			C221	QETN1HM-226Z	E CAPACITOR	22uF 50V M	
Q2501	KTC3199/GL/-T	TRANSISTOR			C222	QETN1HM-226Z	E CAPACITOR	22uF 50V M	
Q4601	KTA1267/YG/-T	TRANSISTOR			C223	QETN1EM-477Z	E CAPACITOR	470uF 25V M	
Q4602	KTC3199/GL/-T	TRANSISTOR			C224	QETN1EM-477Z	E CAPACITOR	470uF 25V M	
Q4603	KTA1267/YG/-T	TRANSISTOR			C225	QETN1HM-105Z	E CAPACITOR	1uF 50V M	
Q4604	KTC3199/GL/-T	TRANSISTOR			C227	NCS31HJ-561X	C CAPACITOR	560pF 50V J	
Q4605	KTA1267/YG/-T	TRANSISTOR			C228	NCS31HJ-561X	C CAPACITOR	560pF 50V J	
Q4611	KTA1267/YG/-T	TRANSISTOR			C231	QEZ0538-476Z	C CAPACITOR	47uF	
Q4612	KTC3199/GL/-T	TRANSISTOR			C232	QEZ0538-476Z	C CAPACITOR	47uF	
Q4613	KTA1267/YG/-T	TRANSISTOR			C235	NCB31HK-561X	C CAPACITOR	560pF 50V K	
Q4614	KTC3199/GL/-T	TRANSISTOR			C241	QTE1H44-226Z	E CAPACITOR	22uF 50V	
Q4615	KTA1267/YG/-T	TRANSISTOR			C242	QTE1H44-226Z	E CAPACITOR	22uF 50V	
Q4620	DTC143TKA-X	DIGI TRANSISTOR			C243	QTE1H44-226Z	E CAPACITOR	22uF 50V	
Q4621	DTC143TKA-X	DIGI TRANSISTOR			C244	QTE1H44-226Z	E CAPACITOR	22uF 50V	
Q4622	DTC114YKA-X	DIGI TRANSISTOR			C245	QEZ0630-476	E.CAPA AWF	47uF	
Q4623	DTC114YKA-X	DIGI TRANSISTOR			C246	QEZ0630-476	E.CAPA AWF	47uF	
Q4624	DTC143TKA-X	DIGI TRANSISTOR			C251	NCB31HK-331X	C CAPACITOR	330pF 50V K	
Q4625	DTC143TKA-X	DIGI TRANSISTOR			C252	NCB31HK-331X	C CAPACITOR	330pF 50V K	
Q4626	DTC114YKA-X	DIGI TRANSISTOR			C253	NCB31HK-331X	C CAPACITOR	330pF 50V K	
Q4627	DTC114YKA-X	DIGI TRANSISTOR			C254	NCB31HK-331X	C CAPACITOR	330pF 50V K	
Q4628	2SA1037AK/RS/-X	TRANSISTOR			C255	NCB31HK-331X	C CAPACITOR	330pF 50V K	
Q4629	DTA144WKA-X	TRANSISTOR			C256	NCB31HK-331X	C CAPACITOR	330pF 50V K	
Q4630	2SA1037AK/RS/-X	TRANSISTOR			C257	NCB31HK-331X	C CAPACITOR	330pF 50V K	
Q4631	2SA1037AK/RS/-X	TRANSISTOR			C258	NCB31HK-331X	C CAPACITOR	330pF 50V K	
Q4701	KRC102S-X	DIGI TRANSISTOR			C259	NCB31HK-331X	C CAPACITOR	330pF 50V K	
Q4702	KRC102S-X	DIGI TRANSISTOR			C260	NCB31HK-331X	C CAPACITOR	330pF 50V K	
Q4703	KRC102S-X	DIGI TRANSISTOR			C261	NCB31HK-331X	C CAPACITOR	330pF 50V K	
Q4704	KTC3199/GL/-T	TRANSISTOR			C262	NCB31HK-331X	C CAPACITOR	330pF 50V K	
Q4705	KTC3199/GL/-T	TRANSISTOR			C263	NCB31HK-681X	C CAPACITOR	680pF 50V K	
Q4706	KTC3199/GL/-T	TRANSISTOR			C264	NCB31HK-331X	C CAPACITOR	330pF 50V K	
Q4707	KTA1267/YG/-T	TRANSISTOR			C265	NCB31HK-561X	C CAPACITOR	560pF 50V K	
					C266	NCB31HK-561X	C CAPACITOR	560pF 50V K	
D291	1SS133-T2	DIODE			C271	QEZ0538-106Z	E CAPACITOR	10uF	
D292	1SS133-T2	DIODE			C272	QEZ0538-106Z	E CAPACITOR	10uF	
D401	1SS133-T2	DIODE			C273	QETN1HM-105Z	E CAPACITOR	1uF 50V M	
D402	1SS133-T2	DIODE			C274	QETN1HM-105Z	E CAPACITOR	1uF 50V M	
D403	1SS133-T2	DIODE			C275	NCB31HK-561X	C CAPACITOR	560pF 50V K	
D404	1SS133-T2	DIODE			C278	QETN1EM-476Z	E CAPACITOR	47uF 25V M	
D405	1SS133-T2	DIODE			C281	QEZ0538-476Z	C CAPACITOR	47uF	

△ Symbol No.	Part No.	Part Name	Description	Local	△ Symbol No.	Part No.	Part Name	Description	Local
C282	QEZO538-476Z	C CAPACITOR	47uF		C445	NCS31HJ-470X	C CAPACITOR	47pF 50V J	
C285	NCB31HK-561X	C CAPACITOR	560pF 50V K		C446	QFN31HJ-682Z	M CAPACITOR	6800pF 50V J	
C291	QTE1H44-226Z	E CAPACITOR	22uF 50V		C447	NCS31HJ-121X	C CAPACITOR	120pF 50V J	
C292	QTE1H44-226Z	E CAPACITOR	22uF 50V		C448	NCS31HJ-121X	C CAPACITOR	120pF 50V J	
C293	QTE1H44-226Z	E CAPACITOR	22uF 50V		C450	NCB31HK-103X	C CAPACITOR	0.01uF 50V K	
C294	QTE1H44-226Z	E CAPACITOR	22uF 50V		C451	QETN1AM-477Z	E CAPACITOR	470uF 10V M	
C295	QTE1H44-226Z	E CAPACITOR	22uF 50V		C2001	QEZO538-476Z	C CAPACITOR	47uF	
C296	QTE1H44-226Z	E CAPACITOR	22uF 50V		C2002	QEZO538-476Z	C CAPACITOR	47uF	
C297	QTE1H44-226Z	E CAPACITOR	22uF 50V		C2005	NCB31HK-561X	C CAPACITOR	560pF 50V K	
C298	QTE1H44-226Z	E CAPACITOR	22uF 50V		C2053	QTE1K44-106Z	E CAPACITOR	10uF 80V	
C301	QETN1HM-226Z	E CAPACITOR	22uF 50V M		C2054	QTE1K44-106Z	E CAPACITOR	10uF 80V	
C302	QETN1HM-106Z	E CAPACITOR	10uF 50V M		C2055	QEZO629-107	E.CAPA AWF	100uF	
C311	NCS31HJ-221X	C CAPACITOR	220pF 50V J		C2056	QEZO629-107	E.CAPA AWF	100uF	
C312	NCS31HJ-221X	C CAPACITOR	220pF 50V J		C2061	QTE1K44-106Z	E CAPACITOR	10uF 80V	
C313	NCS31HJ-221X	C CAPACITOR	220pF 50V J		C2062	QTE1K44-106Z	E CAPACITOR	10uF 80V	
C321	NCB31HK-331X	C CAPACITOR	330pF 50V K		C2063	QEZO629-107	E.CAPA AWF	100uF	
C322	NCB31HK-331X	C CAPACITOR	330pF 50V K		C2064	QEZO629-107	E.CAPA AWF	100uF	
C323	NCB31HK-331X	C CAPACITOR	330pF 50V K		C2069	QTE1K44-106Z	E CAPACITOR	10uF 80V	
C324	NCB31HK-331X	C CAPACITOR	330pF 50V K		C2070	QTE1K44-106Z	E CAPACITOR	10uF 80V	
C325	NCB31HK-331X	C CAPACITOR	330pF 50V K		C2071	QEZO629-107	E.CAPA AWF	100uF	
C326	NCB31HK-331X	C CAPACITOR	330pF 50V K		C2072	QEZO629-107	E.CAPA AWF	100uF	
C327	NCB31HK-331X	C CAPACITOR	330pF 50V K		C2077	QTE1K44-106Z	E CAPACITOR	10uF 80V	
C328	NCB31HK-331X	C CAPACITOR	330pF 50V K		C2078	QTE1K44-106Z	E CAPACITOR	10uF 80V	
C329	NCB31HK-331X	C CAPACITOR	330pF 50V K		C2079	QEZO629-107	E.CAPA AWF	100uF	
C330	NCB31HK-331X	C CAPACITOR	330pF 50V K		C2080	QEZO629-107	E.CAPA AWF	100uF	
C331	NCB31HK-331X	C CAPACITOR	330pF 50V K		C2101	QEZO538-106Z	E CAPACITOR	10uF	
C332	NCB31HK-331X	C CAPACITOR	330pF 50V K		C2102	QEZO538-106Z	E CAPACITOR	10uF	
C333	NCB31HK-331X	C CAPACITOR	330pF 50V K		C2103	NCB31HK-223X	C CAPACITOR	0.022uF 50V K	
C334	NCB31HK-331X	C CAPACITOR	330pF 50V K		C2104	NCB31HK-223X	C CAPACITOR	0.022uF 50V K	
C335	NCB31HK-331X	C CAPACITOR	330pF 50V K		C2105	NCB31HK-561X	C CAPACITOR	560pF 50V K	
C336	NCB31HK-331X	C CAPACITOR	330pF 50V K		C2203	NCB31HK-223X	C CAPACITOR	0.022uF 50V K	
C337	NCB31HK-331X	C CAPACITOR	330pF 50V K		C2204	NCB31HK-223X	C CAPACITOR	0.022uF 50V K	
C338	NCB31HK-331X	C CAPACITOR	330pF 50V K		C2212	NCB31HK-223X	C CAPACITOR	0.022uF 50V K	
C341	QEZO538-106Z	E CAPACITOR	10uF		C2213	NCB31HK-223X	C CAPACITOR	0.022uF 50V K	
C342	QEZO538-106Z	E CAPACITOR	10uF		C2221	NCB31HK-223X	C CAPACITOR	0.022uF 50V K	
C343	NCB31HK-223X	C CAPACITOR	0.022uF 50V K		C2222	NCB31HK-223X	C CAPACITOR	0.022uF 50V K	
C344	NCB31HK-223X	C CAPACITOR	0.022uF 50V K		C2230	NCB31HK-223X	C CAPACITOR	0.022uF 50V K	
C345	NCB31HK-561X	C CAPACITOR	560pF 50V K		C2231	NCB31HK-223X	C CAPACITOR	0.022uF 50V K	
C361	QETN1HM-105Z	E CAPACITOR	1uF 50V M		C2251	QTE1H44-226Z	E CAPACITOR	22uF 50V	
C363	QETN1HM-226Z	E CAPACITOR	22uF 50V M		C2252	QTE1H44-226Z	E CAPACITOR	22uF 50V	
C365	QETN1HM-226Z	E CAPACITOR	22uF 50V M		C2265	QTE1K44-106Z	E CAPACITOR	10uF 80V	
C369	QETN1HM-226Z	E CAPACITOR	22uF 50V M		C2266	QTE1K44-106Z	E CAPACITOR	10uF 80V	
C401	QETN1HM-105Z	E CAPACITOR	1uF 50V M		C2267	QEZO538-476Z	C CAPACITOR	47uF	
C402	QETN0JM-477Z	E CAPACITOR	470uF 6.3V M		C2268	QEZO538-476Z	C CAPACITOR	47uF	
C403	QETN1HM-105Z	E CAPACITOR	1uF 50V M		C2401	QTE1H44-226Z	E CAPACITOR	22uF 50V	
C404	QETN0JM-477Z	E CAPACITOR	470uF 6.3V M		C2402	QTE1H44-226Z	E CAPACITOR	22uF 50V	
C405	QETN1HM-105Z	E CAPACITOR	1uF 50V M		C2403	QTE1H44-226Z	E CAPACITOR	22uF 50V	
C406	QETN1HM-105Z	E CAPACITOR	1uF 50V M		C2404	QTE1H44-226Z	E CAPACITOR	22uF 50V	
C407	QETN0JM-477Z	E CAPACITOR	470uF 6.3V M		C2405	QEZO630-476	E.CAPA AWF	47uF	
C408	QETN1EM-476Z	E CAPACITOR	47uF 25V M		C2406	QEZO630-476	E.CAPA AWF	47uF	
C409	NCB31HK-103X	C CAPACITOR	0.01uF 50V K		C2411	QTE1H44-106Z	E CAPACITOR	10uF 50V	
C410	QETN1HM-105Z	E CAPACITOR	1uF 50V M		C2412	QTE1H44-106Z	E CAPACITOR	10uF 50V	
C411	QETN1HM-105Z	E CAPACITOR	1uF 50V M		C2413	QTE1H44-106Z	E CAPACITOR	10uF 50V	
C412	QETN1HM-105Z	E CAPACITOR	1uF 50V M		C2414	QTE1H44-106Z	E CAPACITOR	10uF 50V	
C413	QETN1HM-105Z	E CAPACITOR	1uF 50V M		C2415	QEZO538-106Z	E CAPACITOR	10uF	
C414	QETN1EM-476Z	E CAPACITOR	47uF 25V M		C2416	QEZO538-106Z	E CAPACITOR	10uF	
C415	NCB31HK-103X	C CAPACITOR	0.01uF 50V K		C2417	QFVJ1HJ-223Z	MF CAPACITOR	0.022uF 50V J	
C419	QETN1HM-105Z	E CAPACITOR	1uF 50V M		C2418	QFVJ1HJ-223Z	MF CAPACITOR	0.022uF 50V J	
C421	QETN1HM-105Z	E CAPACITOR	1uF 50V M		C2419	QFVJ1HJ-223Z	MF CAPACITOR	0.022uF 50V J	
C422	QETN1HM-105Z	E CAPACITOR	1uF 50V M		C2420	QFVJ1HJ-223Z	MF CAPACITOR	0.022uF 50V J	
C423	QETN1EM-476Z	E CAPACITOR	47uF 25V M		C2501	QETN1HM-226Z	E CAPACITOR	22uF 50V M	
C424	NCB31HK-103X	C CAPACITOR	0.01uF 50V K		C2502	QETN1HM-226Z	E CAPACITOR	22uF 50V M	
C425	QETN1HM-105Z	E CAPACITOR	1uF 50V M		C2503	QETN1CM-107Z	E CAPACITOR	100uF 16V M	
C427	QETN1AM-477Z	E CAPACITOR	470uF 10V M		C2504	QETN1CM-107Z	E CAPACITOR	100uF 16V M	
C428	NCB31HK-103X	C CAPACITOR	0.01uF 50V K		C4501	NCF31HZ-103X	C CAPACITOR	0.01uF 50V Z	
C430	NCS31HJ-100X	C CAPACITOR	10pF 50V J		C4502	QETN1HM-105Z	E CAPACITOR	1uF 50V M	
C431	NCB31HK-102X	C CAPACITOR	1000pF 50V K		C4503	NCF31HZ-473X	C CAPACITOR	0.047uF 50V Z	
C432	NCS31HJ-271X	C CAPACITOR	270pF 50V J		C4504	QETN0JM-477Z	E CAPACITOR	470uF 6.3V M	
C433	NCS31HJ-121X	C CAPACITOR	120pF 50V J		C4505	NCF31HZ-103X	C CAPACITOR	0.01uF 50V Z	
C434	QETN1HM-105Z	E CAPACITOR	1uF 50V M		C4506	QETN1HM-105Z	E CAPACITOR	1uF 50V M	
C436	QETN1HM-105Z	E CAPACITOR	1uF 50V M		C4507	NCF31HZ-473X	C CAPACITOR	0.047uF 50V Z	
C438	QENC1HM-105Z	BP E CAPACITOR	1uF 50V M		C4508	QETN0JM-477Z	E CAPACITOR	470uF 6.3V M	
C439	QFN31HJ-223Z	M CAPACITOR	0.022uF 50V J		C4509	NCF31HZ-103X	C CAPACITOR	0.01uF 50V Z	
C440	NCS31HJ-240X	C CAPACITOR	24pF 50V J		C4510	QETN1HM-105Z	E CAPACITOR	1uF 50V M	
C441	NCS31HJ-390X	C CAPACITOR	39pF 50V J		C4511	NCF31HZ-103X	C CAPACITOR	0.01uF 50V Z	
C442	QETN1HM-474Z	E CAPACITOR	0.47uF 50V M		C4512	QETN1HM-105Z	E CAPACITOR	1uF 50V M	
C443	NCS31HJ-470X	C CAPACITOR	47pF 50V J		C4513	NCS31HJ-102X	C CAPACITOR	1000pF 50V J	
C444	NCS31HJ-470X	C CAPACITOR	47pF 50V J		C4514	QETN0JM-477Z	E CAPACITOR	470uF 6.3V M	

△ Symbol No.	Part No.	Part Name	Description	Local	△ Symbol No.	Part No.	Part Name	Description	Local
C4515	QETN1HM-105Z	E CAPACITOR	1uF 50V M		R225	QRJ146J-331X	UNF C RESISTOR	330Ω 1/4W J	
C4516	NCF31HZ-103X	C CAPACITOR	0.01uF 50V Z		R226	NRSA63J-102X	MG RESISTOR	1kΩ 1/16W J	
C4521	NCF31HZ-473X	C CAPACITOR	0.047uF 50V Z		R227	NRSA63J-472X	MG RESISTOR	4.7kΩ 1/16W J	
C4522	NCB31HK-103X	C CAPACITOR	0.01uF 50V K		R228	NRSA63J-103X	MG RESISTOR	10kΩ 1/16W J	
C4523	NCF31HZ-473X	C CAPACITOR	0.047uF 50V Z		R229	NRSA63J-472X	MG RESISTOR	4.7kΩ 1/16W J	
C4524	NCB31HK-103X	C CAPACITOR	0.01uF 50V K		R230	NRSA63J-472X	MG RESISTOR	4.7kΩ 1/16W J	
C4525	NCF31HZ-473X	C CAPACITOR	0.047uF 50V Z		R231	NRSA63J-271X	MG RESISTOR	270Ω 1/16W J	
C4526	NCB31HK-103X	C CAPACITOR	0.01uF 50V K		R232	NRSA63J-271X	MG RESISTOR	270Ω 1/16W J	
C4527	NCF31HZ-473X	C CAPACITOR	0.047uF 50V Z		R233	NRSA63J-270X	MG RESISTOR	27Ω 1/16W J	
C4528	NCB31HK-103X	C CAPACITOR	0.01uF 50V K		R234	NRSA63J-270X	MG RESISTOR	27Ω 1/16W J	
C4529	NCB31HK-103X	C CAPACITOR	0.01uF 50V K		R235	NRSA63J-103X	MG RESISTOR	10kΩ 1/16W J	
C4531	NCS31HJ-470X	C CAPACITOR	47pF 50V J		R236	NRSA63J-103X	MG RESISTOR	10kΩ 1/16W J	
C4532	NCS31HJ-470X	C CAPACITOR	47pF 50V J		R237	NRSA63J-184X	MG RESISTOR	180kΩ 1/16W J	
C4533	NCS31HJ-470X	C CAPACITOR	47pF 50V J		R238	NRSA63J-184X	MG RESISTOR	180kΩ 1/16W J	
C4534	NCS31HJ-470X	C CAPACITOR	47pF 50V J		R239	NRSA63J-163X	MG RESISTOR	16kΩ 1/16W J	
C4535	NCS31HJ-101X	C CAPACITOR	100pF 50V J		R240	NRSA63J-163X	MG RESISTOR	16kΩ 1/16W J	
C4536	NCS31HJ-101X	C CAPACITOR	100pF 50V J		R241	NRSA63J-475X	MG RESISTOR	4.7MΩ 1/16W J	
C4601	QETN1EM-476Z	E CAPACITOR	47uF 25V M		R242	NRSA63J-475X	MG RESISTOR	4.7MΩ 1/16W J	
C4602	NCB31HK-103X	C CAPACITOR	0.01uF 50V K		R243	NRSA63J-475X	MG RESISTOR	4.7MΩ 1/16W J	
C4603	QETN1HM-105Z	E CAPACITOR	1uF 50V M		R244	NRSA63J-475X	MG RESISTOR	4.7MΩ 1/16W J	
C4604	QETN1HM-105Z	E CAPACITOR	1uF 50V M		R245	NRSA63J-125X	M.G.RESISTOR	1MΩ 1/16W J	
C4605	QETN1HM-105Z	E CAPACITOR	1uF 50V M		R246	NRSA63J-125X	M.G.RESISTOR	1MΩ 1/16W J	
C4606	QETN1EM-476Z	E CAPACITOR	47uF 25V M		R247	NRSA63J-155X	MG RESISTOR	1.5MΩ 1/16W J	
C4607	NCB31HK-103X	C CAPACITOR	0.01uF 50V K		R248	NRSA63J-155X	MG RESISTOR	1.5MΩ 1/16W J	
C4608	QETN1HM-105Z	E CAPACITOR	1uF 50V M		R249	NRSA63J-125X	M.G.RESISTOR	1MΩ 1/16W J	
C4613	QETN1HM-105Z	E CAPACITOR	1uF 50V M		R250	NRSA63J-125X	M.G.RESISTOR	1MΩ 1/16W J	
C4615	QETN1EM-476Z	E CAPACITOR	47uF 25V M		R251	NRSA63J-471X	MG RESISTOR	470Ω 1/16W J	
C4616	NCB31HK-103X	C CAPACITOR	0.01uF 50V K		R252	NRSA63J-471X	MG RESISTOR	470Ω 1/16W J	
C4618	QETN1HM-105Z	E CAPACITOR	1uF 50V M		R253	NRSA63J-471X	MG RESISTOR	470Ω 1/16W J	
C4619	NCS31HJ-330X	C CAPACITOR	33pF 50V J		R254	NRSA63J-471X	MG RESISTOR	470Ω 1/16W J	
C4620	QETN1AM-107Z	E CAPACITOR	100uF 10V M		R255	NRSA63J-471X	MG RESISTOR	470Ω 1/16W J	
C4621	QETN1EM-476Z	E CAPACITOR	47uF 25V M		R256	NRSA63J-471X	MG RESISTOR	470Ω 1/16W J	
C4622	NCB31HK-103X	C CAPACITOR	0.01uF 50V K		R257	NRSA63J-471X	MG RESISTOR	470Ω 1/16W J	
C4623	NCF31HZ-103X	C CAPACITOR	0.01uF 50V Z		R258	NRSA63J-471X	MG RESISTOR	470Ω 1/16W J	
C4624	NCF31AZ-105X	C CAPACITOR	1uF 10V Z		R259	NRSA63J-471X	MG RESISTOR	470Ω 1/16W J	
C4625	NCF31AZ-105X	C CAPACITOR	1uF 10V Z		R260	NRSA63J-471X	MG RESISTOR	470Ω 1/16W J	
C4626	QETN1EM-476Z	E CAPACITOR	47uF 25V M		R261	NRSA63J-471X	MG RESISTOR	470Ω 1/16W J	
C4627	NCB31HK-103X	C CAPACITOR	0.01uF 50V K		R262	NRSA63J-471X	MG RESISTOR	470Ω 1/16W J	
C4628	NCF31AZ-105X	C CAPACITOR	1uF 10V Z		R263	NRSA63J-152X	MG RESISTOR	1.5kΩ 1/16W J	
C4633	NCF31HZ-103X	C CAPACITOR	0.01uF 50V Z		R264	NRSA63J-561X	MG RESISTOR	560Ω 1/16W J	
C4635	QETN1EM-476Z	E CAPACITOR	47uF 25V M		R265	NRSA63J-561X	MG RESISTOR	560Ω 1/16W J	
C4636	NCB31HK-103X	C CAPACITOR	0.01uF 50V K		R266	NRSA63J-561X	MG RESISTOR	560Ω 1/16W J	
C4639	NCS31HJ-821X	C CAPACITOR	820pF 50V J		△ R267	QRZ9005-680X	F RESISTOR	68Ω	
C4640	NCS31HJ-121X	C CAPACITOR	120pF 50V J		△ R268	QRZ9005-680X	F RESISTOR	68Ω	
C4641	NCS31HJ-121X	C CAPACITOR	120pF 50V J		△ R271	QRJ146J-121X	UNF C RESISTOR	120Ω 1/4W J	
C4643	NCS31HJ-121X	C CAPACITOR	120pF 50V J		△ R272	QRJ146J-820X	UNF C RESISTOR	82Ω 1/4W J	
C4644	NCS31HJ-121X	C CAPACITOR	120pF 50V J		R273	NRSA63J-472X	MG RESISTOR	4.7kΩ 1/16W J	
C4645	NCS31HJ-220X	C CAPACITOR	22pF 50V J		R274	NRSA63J-472X	MG RESISTOR	4.7kΩ 1/16W J	
C4646	QETN1AM-477Z	E CAPACITOR	470uF 10V M		R275	QRA14CF-1001Y	CMF RESISTOR	1kΩ 1/4W F	
C4701	NCB31HK-103X	C CAPACITOR	0.01uF 50V K		R276	QRA14CF-1001Y	CMF RESISTOR	1kΩ 1/4W F	
C4702	QETN1EM-476Z	E CAPACITOR	47uF 25V M		R277	QRA14CF-1001Y	CMF RESISTOR	1kΩ 1/4W F	
C4854	QETN1EM-476Z	E CAPACITOR	47uF 25V M		R278	QRA14CF-1001Y	CMF RESISTOR	1kΩ 1/4W F	
C4855	NCB31HK-103X	C CAPACITOR	0.01uF 50V K		R279	QRA14CF-1001Y	CMF RESISTOR	1kΩ 1/4W F	
C4856	QETN1HM-105Z	E CAPACITOR	1uF 50V M		R280	QRA14CF-1001Y	CMF RESISTOR	1kΩ 1/4W F	
C4857	NCB31HK-103X	C CAPACITOR	0.01uF 50V K		R281	QRA14CF-1001Y	CMF RESISTOR	1kΩ 1/4W F	
C4858	QETN1HM-105Z	E CAPACITOR	1uF 50V M		R282	QRA14CF-1001Y	CMF RESISTOR	1kΩ 1/4W F	
					R283	QRA14CF-1001Y	CMF RESISTOR	1kΩ 1/4W F	
R201	NRSA63J-5R6X	MG RESISTOR	5.6Ω 1/16W J		R284	QRA14CF-1001Y	CMF RESISTOR	1kΩ 1/4W F	
R202	NRSA63J-5R6X	MG RESISTOR	5.6Ω 1/16W J		R285	QRA14CF-1001Y	CMF RESISTOR	1kΩ 1/4W F	
R203	NRSA63J-473X	MG RESISTOR	47kΩ 1/16W J		R286	QRA14CF-1001Y	CMF RESISTOR	1kΩ 1/4W F	
R204	NRSA63J-473X	MG RESISTOR	47kΩ 1/16W J		R287	NRSA63J-0R0X	MG RESISTOR	0Ω 1/16W J	
R205	NRSA63J-101X	MG RESISTOR	100Ω 1/16W J		R288	NRSA63J-0R0X	MG RESISTOR	0Ω 1/16W J	
R206	NRSA63J-101X	MG RESISTOR	100Ω 1/16W J		R289	NRSA63J-0R0X	MG RESISTOR	0Ω 1/16W J	
R207	NRSA63J-222X	MG RESISTOR	2.2kΩ 1/16W J		R290	NRSA63J-0R0X	MG RESISTOR	0Ω 1/16W J	
R208	NRSA63J-222X	MG RESISTOR	2.2kΩ 1/16W J		R291	QRZ0133-471	C.RES RMA	470Ω	
R209	NRSA63J-242X	MG RESISTOR	2.4kΩ 1/16W J		R292	QRZ0133-471	C.RES RMA	470Ω	
R210	NRSA63J-242X	MG RESISTOR	2.4kΩ 1/16W J		R293	QRZ0133-471	C.RES RMA	470Ω	
R211	NRSA63J-272X	MG RESISTOR	2.7kΩ 1/16W J		R294	QRZ0133-471	C.RES RMA	470Ω	
R212	NRSA63J-272X	MG RESISTOR	2.7kΩ 1/16W J		R295	QRV12DF-4700	CMF RESISTOR	470Ω 1/2W F	
R213	NRSA63J-120X	MG RESISTOR	12Ω 1/16W J		R296	QRV12DF-4700	CMF RESISTOR	470Ω 1/2W F	
R214	NRSA63J-120X	MG RESISTOR	12Ω 1/16W J		R297	QRZ0133-471	C.RES RMA	470Ω	
R215	NRSA63J-222X	MG RESISTOR	2.2kΩ 1/16W J		R298	QRZ0133-471	C.RES RMA	470Ω	
R216	NRSA63J-222X	MG RESISTOR	2.2kΩ 1/16W J		R299	NRSA63J-103X	MG RESISTOR	10kΩ 1/16W J	
R217	NRSA63J-182X	MG RESISTOR	1.8kΩ 1/16W J		R300	NRSA63J-103X	MG RESISTOR	10kΩ 1/16W J	
R218	NRSA63J-182X	MG RESISTOR	1.8kΩ 1/16W J		R301	NRSA63J-103X	MG RESISTOR	10kΩ 1/16W J	
R221	NRSA63J-105X	MG RESISTOR	1MΩ 1/16W J		R302	NRSA63J-222X	MG RESISTOR	2.2kΩ 1/16W J	
R222	NRSA63J-105X	MG RESISTOR	1MΩ 1/16W J		R303	NRSA63J-103X	MG RESISTOR	10kΩ 1/16W J	
R224	NRSA63J-474X	MG RESISTOR	470kΩ 1/16W J		R304	NRSA63J-103X	MG RESISTOR	10kΩ 1/16W J	

△ Symbol No.	Part No.	Part Name	Description	Local	△ Symbol No.	Part No.	Part Name	Description	Local
R305	NRSA63J-103X	MG RESISTOR	10kΩ 1/16W J		R438	NRSA63J-471X	MG RESISTOR	470Ω 1/16W J	
R306	NRSA63J-103X	MG RESISTOR	10kΩ 1/16W J		R439	NRSA63J-0R0X	MG RESISTOR	0Ω 1/16W J	
R307	NRSA63J-102X	MG RESISTOR	1kΩ 1/16W J		R1351	QRZ9005-331X	FUSI RESISTOR	330Ω	
R308	NRSA63J-102X	MG RESISTOR	1kΩ 1/16W J		R1402	NRSA63J-102X	MG RESISTOR	1kΩ 1/16W J	
R309	NRSA63J-474X	MG RESISTOR	470kΩ 1/16W J		R1404	NRSA63J-102X	MG RESISTOR	1kΩ 1/16W J	
R311	NRSA63J-102X	MG RESISTOR	1kΩ 1/16W J		R1407	NRSA63J-821X	MG RESISTOR	820Ω 1/16W J	
R312	NRSA63J-102X	MG RESISTOR	1kΩ 1/16W J		R1419	NRSA02J-121X	MG RESISTOR	120Ω 1/10W J	
R313	NRSA63J-102X	MG RESISTOR	1kΩ 1/16W J		△ R2001	QRZ9005-680X	F RESISTOR	68Ω	
R321	NRSA63J-471X	MG RESISTOR	470Ω 1/16W J		△ R2002	QRZ9005-680X	F RESISTOR	68Ω	
R322	NRSA63J-471X	MG RESISTOR	470Ω 1/16W J		R2041	NRSA63J-0R0X	MG RESISTOR	0Ω 1/16W J	
R323	NRSA63J-471X	MG RESISTOR	470Ω 1/16W J		R2042	NRSA63J-0R0X	MG RESISTOR	0Ω 1/16W J	
R324	NRSA63J-471X	MG RESISTOR	470Ω 1/16W J		R2051	QRE141J-101Y	C RESISTOR	100Ω 1/4W J	
R325	NRSA63J-471X	MG RESISTOR	470Ω 1/16W J		R2052	QRE141J-101Y	C RESISTOR	100Ω 1/4W J	
R326	NRSA63J-471X	MG RESISTOR	470Ω 1/16W J		R2055	NRSA63J-104X	MG RESISTOR	100kΩ 1/16W J	
R327	NRSA63J-471X	MG RESISTOR	470Ω 1/16W J		R2056	NRSA63J-104X	MG RESISTOR	100kΩ 1/16W J	
R328	NRSA63J-471X	MG RESISTOR	470Ω 1/16W J		△ R2057	QRJ146J-680X	UNF C RESISTOR	68Ω 1/4W J	
R329	NRSA63J-471X	MG RESISTOR	470Ω 1/16W J		△ R2058	QRJ146J-680X	UNF C RESISTOR	68Ω 1/4W J	
R330	NRSA63J-471X	MG RESISTOR	470Ω 1/16W J		R2059	QRE141J-101Y	C RESISTOR	100Ω 1/4W J	
R331	NRSA63J-471X	MG RESISTOR	470Ω 1/16W J		R2060	QRE141J-101Y	C RESISTOR	100Ω 1/4W J	
R332	NRSA63J-471X	MG RESISTOR	470Ω 1/16W J		R2063	NRSA63J-104X	MG RESISTOR	100kΩ 1/16W J	
R333	NRSA63J-471X	MG RESISTOR	470Ω 1/16W J		R2064	NRSA63J-104X	MG RESISTOR	100kΩ 1/16W J	
R334	NRSA63J-471X	MG RESISTOR	470Ω 1/16W J		△ R2065	QRJ146J-680X	UNF C RESISTOR	68Ω 1/4W J	
R335	NRSA63J-471X	MG RESISTOR	470Ω 1/16W J		△ R2066	QRJ146J-680X	UNF C RESISTOR	68Ω 1/4W J	
R336	NRSA63J-471X	MG RESISTOR	470Ω 1/16W J		R2067	QRE141J-101Y	C RESISTOR	100Ω 1/4W J	
R337	NRSA63J-471X	MG RESISTOR	470Ω 1/16W J		R2068	QRE141J-101Y	C RESISTOR	100Ω 1/4W J	
R338	NRSA63J-471X	MG RESISTOR	470Ω 1/16W J		R2071	NRSA63J-104X	MG RESISTOR	100kΩ 1/16W J	
R339	QRZ9005-680X	F RESISTOR	68Ω		R2072	NRSA63J-104X	MG RESISTOR	100kΩ 1/16W J	
R340	QRZ9005-680X	F RESISTOR	68Ω		△ R2073	QRJ146J-680X	UNF C RESISTOR	68Ω 1/4W J	
R345	NRSA63J-471X	MG RESISTOR	470Ω 1/16W J		△ R2074	QRJ146J-680X	UNF C RESISTOR	68Ω 1/4W J	
R346	NRSA63J-471X	MG RESISTOR	470Ω 1/16W J		R2075	QRE141J-101Y	C RESISTOR	100Ω 1/4W J	
R347	NRSA63J-103X	MG RESISTOR	10kΩ 1/16W J		R2076	QRE141J-101Y	C RESISTOR	100Ω 1/4W J	
R348	NRSA63J-103X	MG RESISTOR	10kΩ 1/16W J		R2079	NRSA63J-104X	MG RESISTOR	100kΩ 1/16W J	
R355	NRSA63J-471X	MG RESISTOR	470Ω 1/16W J		R2080	NRSA63J-104X	MG RESISTOR	100kΩ 1/16W J	
R356	NRSA63J-471X	MG RESISTOR	470Ω 1/16W J		△ R2081	QRJ146J-680X	UNF C RESISTOR	68Ω 1/4W J	
R357	NRSA63J-103X	MG RESISTOR	10kΩ 1/16W J		△ R2082	QRJ146J-680X	UNF C RESISTOR	68Ω 1/4W J	
R358	NRSA63J-103X	MG RESISTOR	10kΩ 1/16W J		R2259	QRV14CF-4702Y	CMF RESISTOR	47kΩ 1/4W F	
R363	NRSA63J-102X	MG RESISTOR	1kΩ 1/16W J		R2260	QRV14CF-4702Y	CMF RESISTOR	47kΩ 1/4W F	
R364	NRSA63J-474X	MG RESISTOR	470kΩ 1/16W J		R2261	NRSA63J-473X	MG RESISTOR	47kΩ 1/16W J	
R365	NRSA63J-102X	MG RESISTOR	1kΩ 1/16W J		R2262	NRSA63J-473X	MG RESISTOR	47kΩ 1/16W J	
R366	NRSA63J-474X	MG RESISTOR	470kΩ 1/16W J		R2263	NRSA63J-473X	MG RESISTOR	47kΩ 1/16W J	
R369	NRSA63J-102X	MG RESISTOR	1kΩ 1/16W J		R2264	NRSA63J-473X	MG RESISTOR	47kΩ 1/16W J	
R370	NRSA63J-474X	MG RESISTOR	470kΩ 1/16W J		R2265	NRSA63J-473X	MG RESISTOR	47kΩ 1/16W J	
R399	NRSA63J-471X	MG RESISTOR	470Ω 1/16W J		R2266	NRSA63J-473X	MG RESISTOR	47kΩ 1/16W J	
R400	NRSA63J-471X	MG RESISTOR	470Ω 1/16W J		R2267	NRSA63J-104X	MG RESISTOR	100kΩ 1/16W J	
R401	NRSA63J-750X	MG RESISTOR	75Ω 1/16W J		R2268	NRSA63J-104X	MG RESISTOR	100kΩ 1/16W J	
R402	NRSA63J-750X	MG RESISTOR	75Ω 1/16W J		R2269	QRA14CF-2401Y	CMF RESISTOR	2.4kΩ 1/4W F	
R403	NRSA63J-750X	MG RESISTOR	75Ω 1/16W J		R2270	QRA14CF-2401Y	CMF RESISTOR	2.4kΩ 1/4W F	
R404	NRSA63J-750X	MG RESISTOR	75Ω 1/16W J		R2273	QRA14CF-2401Y	CMF RESISTOR	2.4kΩ 1/4W F	
R405	NRSA63J-750X	MG RESISTOR	75Ω 1/16W J		R2274	QRA14CF-2401Y	CMF RESISTOR	2.4kΩ 1/4W F	
R406	NRSA63J-750X	MG RESISTOR	75Ω 1/16W J		△ R2275	QRJ146J-680X	UNF C RESISTOR	68Ω 1/4W J	
R407	NRSA63J-750X	MG RESISTOR	75Ω 1/16W J		△ R2276	QRJ146J-680X	UNF C RESISTOR	68Ω 1/4W J	
R408	NRSA63J-0R0X	MG RESISTOR	0Ω 1/16W J		R2279	NRSA63J-104X	MG RESISTOR	100kΩ 1/16W J	
R409	NRSA63J-473X	MG RESISTOR	47kΩ 1/16W J		R2280	NRSA63J-104X	MG RESISTOR	100kΩ 1/16W J	
R410	NRSA63J-0R0X	MG RESISTOR	0Ω 1/16W J		R2351	QRV14CF-1001Y	CMF RESISTOR	1kΩ 1/4W F	
R411	NRSA63J-473X	MG RESISTOR	47kΩ 1/16W J		R2352	QRV14CF-1001Y	CMF RESISTOR	1kΩ 1/4W F	
R412	NRSA63J-0R0X	MG RESISTOR	0Ω 1/16W J		R2353	QRV14CF-4701Y	CMF RESISTOR	4.7kΩ 1/4W F	
R413	NRSA63J-0R0X	MG RESISTOR	0Ω 1/16W J		R2354	QRV14CF-4701Y	CMF RESISTOR	4.7kΩ 1/4W F	
R414	NRSA63J-473X	MG RESISTOR	47kΩ 1/16W J		R2355	QRV14CF-1001Y	CMF RESISTOR	1kΩ 1/4W F	
R415	NRSA02J-121X	MG RESISTOR	120Ω 1/10W J		R2356	QRV14CF-1001Y	CMF RESISTOR	1kΩ 1/4W F	
R416	NRSA63J-331X	MG RESISTOR	330Ω 1/16W J		R2357	QRV14CF-4701Y	CMF RESISTOR	4.7kΩ 1/4W F	
R417	NRSA02J-121X	MG RESISTOR	120Ω 1/10W J		R2358	QRV14CF-9101Y	CMF RESISTOR	9.1kΩ 1/4W F	
R418	NRSA63J-331X	MG RESISTOR	330Ω 1/16W J		R2359	QRV14CF-1001Y	CMF RESISTOR	1kΩ 1/4W F	
R419	NRSA02J-121X	MG RESISTOR	120Ω 1/10W J		R2360	QRV14CF-1001Y	CMF RESISTOR	1kΩ 1/4W F	
R423	NRSA63J-0R0X	MG RESISTOR	0Ω 1/16W J		R2361	QRV14CF-4701Y	CMF RESISTOR	4.7kΩ 1/4W F	
R424	NRSA63J-561X	MG RESISTOR	560Ω 1/16W J		R2362	QRV14CF-4701Y	CMF RESISTOR	4.7kΩ 1/4W F	
R425	NRSA63J-561X	MG RESISTOR	560Ω 1/16W J		R2363	QRV14CF-1001Y	CMF RESISTOR	1kΩ 1/4W F	
R426	NRSA63J-561X	MG RESISTOR	560Ω 1/16W J		R2364	QRV14CF-1001Y	CMF RESISTOR	1kΩ 1/4W F	
R427	NRSA63J-221X	MG RESISTOR	220Ω 1/16W J		R2365	QRV14CF-4701Y	CMF RESISTOR	4.7kΩ 1/4W F	
R428	NRSA63J-152X	MG RESISTOR	1.5kΩ 1/16W J		R2366	QRV14CF-4701Y	CMF RESISTOR	4.7kΩ 1/4W F	
R429	NRSA63J-682X	MG RESISTOR	6.8kΩ 1/16W J		R2403	NRSA63J-473X	MG RESISTOR	47kΩ 1/16W J	
R430	NRSA63J-121X	MG RESISTOR	120Ω 1/16W J		R2404	NRSA63J-473X	MG RESISTOR	47kΩ 1/16W J	
R431	NRSA63J-102X	MG RESISTOR	1kΩ 1/16W J		R2405	NRSA63J-104X	MG RESISTOR	100kΩ 1/16W J	
R432	NRSA63J-272X	MG RESISTOR	2.7kΩ 1/16W J		R2406	NRSA63J-104X	MG RESISTOR	100kΩ 1/16W J	
R433	NRSA63J-513X	MG RESISTOR	51kΩ 1/16W J		R2413	NRSA63J-473X	MG RESISTOR	47kΩ 1/16W J	
R434	QRJ146J-1R0X	UNF C RESISTOR	1Ω 1/4W J		R2414	NRSA63J-473X	MG RESISTOR	47kΩ 1/16W J	
R435	NRSA63J-103X	MG RESISTOR	10kΩ 1/16W J		R2415	NRSA63J-104X	MG RESISTOR	100kΩ 1/16W J	
R436	NRSA63J-103X	MG RESISTOR	10kΩ 1/16W J		R2416	NRSA63J-104X	MG RESISTOR	100kΩ 1/16W J	
R437	NRSA63J-103X	MG RESISTOR	10kΩ 1/16W J		R2501	NRSA63J-333X	MG RESISTOR	33kΩ 1/16W J	

△ Symbol No.	Part No.	Part Name	Description	Local	△ Symbol No.	Part No.	Part Name	Description	Local
R2502	NRSA63J-333X	MG RESISTOR	33kΩ	1/16W J	R4624	NRSA63J-152X	MG RESISTOR	1.5kΩ	1/16W J
R2503	NRSA63J-104X	MG RESISTOR	100kΩ	1/16W J	R4625	NRSA63J-0R0X	MG RESISTOR	0Ω	1/16W J
R2504	NRSA63J-104X	MG RESISTOR	100kΩ	1/16W J	R4626	NRSA63J-102X	MG RESISTOR	1kΩ	1/16W J
R2505	NRSA63J-223X	MG RESISTOR	22kΩ	1/16W J	R4627	NRSA02J-471X	MG RESISTOR	470Ω	1/10W J
R2506	NRSA63J-223X	MG RESISTOR	22kΩ	1/16W J	R4628	NRSA02J-471X	MG RESISTOR	470Ω	1/10W J
R2507	NRSA63J-333X	MG RESISTOR	33kΩ	1/16W J	R4629	NRSA63J-821X	MG RESISTOR	820Ω	1/16W J
R2508	NRSA63J-333X	MG RESISTOR	33kΩ	1/16W J	R4630	NRSA63J-301X	MG RESISTOR	300Ω	1/16W J
R2509	NRSA63J-622X	MG RESISTOR	6.2kΩ	1/16W J	R4631	NRSA63J-102X	MG RESISTOR	1kΩ	1/16W J
R2510	NRSA63J-102X	MG RESISTOR	1kΩ	1/16W J	R4633	NRSA63J-682X	MG RESISTOR	6.8kΩ	1/16W J
R2511	NRSA63J-103X	MG RESISTOR	10kΩ	1/16W J	R4634	NRSA63J-822X	MG RESISTOR	8.2kΩ	1/16W J
R2512	QRE141J-680Y	C RESISTOR	68Ω	1/4W J	R4701	NRSA63J-223X	MG RESISTOR	22kΩ	1/16W J
R2513	QRJ146J-680X	UNF C RESISTOR	68Ω	1/4W J	R4702	NRSA63J-223X	MG RESISTOR	22kΩ	1/16W J
R2514	NRSA63J-471X	MG RESISTOR	470Ω	1/16W J	R4703	NRSA63J-223X	MG RESISTOR	22kΩ	1/16W J
R2515	NRSA63J-471X	MG RESISTOR	470Ω	1/16W J	R4704	NRSA63J-103X	MG RESISTOR	10kΩ	1/16W J
R2601	NRSA63J-101X	MG RESISTOR	100Ω	1/16W J	R4705	NRSA63J-103X	MG RESISTOR	10kΩ	1/16W J
R2602	NRSA63J-101X	MG RESISTOR	100Ω	1/16W J	R4706	NRSA63J-103X	MG RESISTOR	10kΩ	1/16W J
R2603	NRSA63J-104X	MG RESISTOR	100kΩ	1/16W J	R4707	NRSA63J-472X	MG RESISTOR	4.7kΩ	1/16W J
R2604	NRSA63J-104X	MG RESISTOR	100kΩ	1/16W J	R4708	NRSA63J-472X	MG RESISTOR	4.7kΩ	1/16W J
△ R2605	QRJ146J-680X	UNF C RESISTOR	68Ω	1/4W J	R4709	NRSA63J-472X	MG RESISTOR	4.7kΩ	1/16W J
△ R2606	QRJ146J-680X	UNF C RESISTOR	68Ω	1/4W J	R4710	NRSA63J-334X	MG RESISTOR	330kΩ	1/16W J
R2611	QRZ9005-680X	F RESISTOR	68Ω		R4711	NRSA63J-104X	MG RESISTOR	100kΩ	1/16W J
R2612	QRZ9005-680X	F RESISTOR	68Ω		R4842	NRSA63J-105X	MG RESISTOR	1MΩ	1/16W J
△ R2613	QRJ146J-680X	UNF C RESISTOR	68Ω	1/4W J	R4843	NRSA63J-751X	MG RESISTOR	750Ω	1/16W J
△ R2614	QRJ146J-680X	UNF C RESISTOR	68Ω	1/4W J	R4844	NRSA63J-221X	MG RESISTOR	220Ω	1/16W J
R2615	NRSA63J-473X	MG RESISTOR	47kΩ	1/16W J	R4845	NRSA63J-751X	MG RESISTOR	750Ω	1/16W J
R2616	NRSA63J-473X	MG RESISTOR	47kΩ	1/16W J	R4846	NRSA63J-221X	MG RESISTOR	220Ω	1/16W J
R2617	NRSA63J-104X	MG RESISTOR	100kΩ	1/16W J	L201	QQL231K-101Y	COIL	100uH	K
R2618	NRSA63J-104X	MG RESISTOR	100kΩ	1/16W J	L202	QQL231K-101Y	COIL	100uH	K
R2619	QRJ146J-680X	UNF C RESISTOR	68Ω	1/4W J	L203	QQL231K-101Y	COIL	100uH	K
R2620	QRJ146J-680X	UNF C RESISTOR	68Ω	1/4W J	L204	QQL231K-101Y	COIL	100uH	K
R2621	QRJ146J-680X	UNF C RESISTOR	68Ω	1/4W J	L321	QQL231K-121Y	COIL	120uH	K
R2622	QRJ146J-680X	UNF C RESISTOR	68Ω	1/4W J	L322	QQL231K-121Y	COIL	120uH	K
△ R2623	QRJ146J-680X	UNF C RESISTOR	68Ω	1/4W J	L402	QQL231K-5R6Y	COIL	5.6uH	K
△ R2624	QRJ146J-680X	UNF C RESISTOR	68Ω	1/4W J	L489	NQL012K-2R2X	COIL	2.2uH	K
R4501	NRSA63J-750X	MG RESISTOR	75Ω	1/16W J	L4601	NQL012K-560X	COIL	56uH	K
R4502	NRSA63J-750X	MG RESISTOR	75Ω	1/16W J	CN201	QGA2001F1-14	CONNECTOR	W-B (1-14)	
R4503	NRSA63J-750X	MG RESISTOR	75Ω	1/16W J	CN202	QGA2001F1-09	CONNECTOR	W-B (1-9)	
R4504	NRSA63J-750X	MG RESISTOR	75Ω	1/16W J	CN203	QGA2001F1-12	CONNECTOR	W-B (1-12)	
R4505	NRSA63J-473X	MG RESISTOR	47kΩ	1/16W J	CN204	QGA2001F1-03	CONNECTOR	W-B (1-3)	
R4506	NRSA63J-750X	MG RESISTOR	75Ω	1/16W J	CN205	QGB1214K1-10S	CONNECTOR	B-B (1-10)	
R4507	NRSA63J-750X	MG RESISTOR	75Ω	1/16W J	CN206	QGB2510K1-06	CONNECTOR	B-B (1-6)	
R4508	NRSA63J-750X	MG RESISTOR	75Ω	1/16W J	CN207	QGA2501F1-03	CONNECTOR	W-B (1-3)	
R4509	NRSA63J-750X	MG RESISTOR	75Ω	1/16W J	CN208	QGA2001F1-08	CONNECTOR	W-B (1-8)	
R4510	NRSA63J-473X	MG RESISTOR	47kΩ	1/16W J	CN218	QGA2001F1-03	CONNECTOR	W-B (1-3)	
R4511	NRSA63J-750X	MG RESISTOR	75Ω	1/16W J	CN221	QGB2510K1-10	CONNECTOR	B-B (1-10)	
R4512	NRSA63J-750X	MG RESISTOR	75Ω	1/16W J	CN223	QGA2001F1-08	CONNECTOR	W-B (1-8)	
R4513	NRSA63J-750X	MG RESISTOR	75Ω	1/16W J	CN224	QGA2001F1-07	CONNECTOR	W-B (1-7)	
R4514	NRSA63J-750X	MG RESISTOR	75Ω	1/16W J	CN234	QGA2001F1-09	CONNECTOR	W-B (1-9)	
R4515	NRSA63J-750X	MG RESISTOR	75Ω	1/16W J	CN321	QGB1214K1-10S	CONNECTOR	B-B (1-10)	
R4516	NRSA63J-750X	MG RESISTOR	75Ω	1/16W J	CN325	QGB2510K2-06	CONNECTOR	B-B (1-6)	
R4517	NRSA63J-473X	MG RESISTOR	47kΩ	1/16W J	CN401	QGB1214K1-16S	CONNECTOR	B-B (1-16)	
R4518	NRSA63J-561X	MG RESISTOR	560Ω	1/16W J	CN402	QGB1224K1-13	CONNECTOR	B-B (1-13)	
R4521	NRSA63J-562X	MG RESISTOR	5.6kΩ	1/16W J	CN451	QGB1214K1-20S	CONNECTOR	B-B (1-20)	
R4522	NRSA63J-562X	MG RESISTOR	5.6kΩ	1/16W J	CN452	QGB1224K1-15	CONNECTOR	B-B (1-15)	
R4523	NRSA63J-562X	MG RESISTOR	5.6kΩ	1/16W J	J201	QNN0502-001	SURROUND JACK		
R4524	NRSA63J-562X	MG RESISTOR	5.6kΩ	1/16W J	J203	QNN0502-001	SURROUND JACK		
R4525	NRSA63J-562X	MG RESISTOR	5.6kΩ	1/16W J	J204	QNN0503-001	SURROUND JACK		
△ R4541	QRJ146J-6R8X	UNF C RESISTOR	6.8Ω	1/4W J	J321	QNN0502-001	SURROUND JACK		
R4542	QRJ146J-1R0X	UNF C RESISTOR	1Ω	1/4W J	J322	QNN0506-001	4PIN JACK ASSY		
R4553	NRSA63J-102X	MG RESISTOR	1kΩ	1/16W J	J323	QNN0503-001	SURROUND JACK		
R4554	NRSA63J-102X	MG RESISTOR	1kΩ	1/16W J	J324	QNN0507-001	SURROUND JACK		
R4558	NRSA63J-102X	MG RESISTOR	1kΩ	1/16W J	J401	QNN0504-001	SURROUND JACK		
R4559	NRSA63J-102X	MG RESISTOR	1kΩ	1/16W J	J402	QNN0505-001	SURROUND JACK		
R4565	NRSA63J-561X	MG RESISTOR	560Ω	1/16W J	J403	QNN0505-001	SURROUND JACK		
R4601	NRSA02J-121X	MG RESISTOR	120Ω	1/10W J	J451	QND0090-001	S JACK		
R4602	NRSA63J-331X	MG RESISTOR	330Ω	1/16W J	J452	QND0029-001	DIN CONNECTOR		
R4603	NRSA02J-121X	MG RESISTOR	120Ω	1/10W J	J453	QND0029-001	DIN CONNECTOR		
R4604	NRSA63J-331X	MG RESISTOR	330Ω	1/16W J	J454	QND0089-001	S JACK		
R4605	NRSA02J-121X	MG RESISTOR	120Ω	1/10W J	RY271	QSK0151-001	RELAY		
R4611	NRSA02J-121X	MG RESISTOR	120Ω	1/10W J	RY272	QSK0151-001	RELAY		
R4612	NRSA63J-331X	MG RESISTOR	330Ω	1/16W J	RY273	QSK0151-001	RELAY		
R4613	NRSA02J-121X	MG RESISTOR	120Ω	1/10W J	RY274	QSK0151-001	RELAY		
R4614	NRSA63J-331X	MG RESISTOR	330Ω	1/16W J	RY275	QSK0151-001	RELAY		
R4615	NRSA02J-121X	MG RESISTOR	120Ω	1/10W J	RY276	QSK0151-001	RELAY		
R4620	NRSA63J-103X	MG RESISTOR	10kΩ	1/16W J	RY277	QSK0151-001	RELAY		
R4621	NRSA63J-103X	MG RESISTOR	10kΩ	1/16W J	RY278	QSK0151-001	RELAY		
R4622	NRSA63J-103X	MG RESISTOR	10kΩ	1/16W J					
R4623	NRSA63J-103X	MG RESISTOR	10kΩ	1/16W J					



△ Symbol No.	Part No.	Part Name	Description	Local
	RY351	QSK0151-001	RELAY	
	SW201	QSW0511-001	PUSH SWITCH	
	WR204	QJK016-091804	SIN CR C-B WIRE	
	WR318	QJK016-031403	SIN CR C-B WIRE	
	WR322	WJP0032-002A	E-SH C WIRE C-B	
	WR323	QJK016-081403	SIN CR C-B WIRE	
	WR324	WJK0130-001A	E-SI C WIRE C-B	

△ Symbol No.	Part No.	Part Name	Description	Local
	D73	1SS133-T2	DIODE	
	D74	1SS133-T2	DIODE	
	D75	1SS133-T2	DIODE	
	D101	1SS133-T2	DIODE	
	D3605	1SS133-T2	DIODE	
	△ D4001	31DF2-FC6	FR DIODE	
	△ D4002	31DF2-FC6	FR DIODE	
	△ D4003	31DF2-FC6	FR DIODE	
	△ D4004	31DF2-FC6	FR DIODE	

## AC supply board

Block No. [0][3][0][0]

△ Symbol No.	Part No.	Part Name	Description	Local
	PW21	QUB056-32QPQP	SIN TWIST WIRE	
	PW22	QUB051-32QPQP	SIN TWIST WIRE	
	PW23	WJK0132-002A	E-SI C WIRE C-B	
	PW25	QUB052-10QPA8	SIN TWIST WIRE	
	PW26	QUB050-10QPA8	SIN TWIST WIRE	
	IC44	KIA7806API	IC Regulator	
	Q1	2SC1740S/RS/-T	TRANSISTOR	
	Q2	2SC1740S/RS/-T	TRANSISTOR	
	△ Q3	2SD2394/EF/	TRANSISTOR	
	△ Q4	2SD2394/EF/	TRANSISTOR	
	Q5	2SC1740S/RS/-T	TRANSISTOR	
	Q6	KRA104M-T	DIGI TRANSISTOR	
	Q7	KRC104M-T	TRANSISTOR	
	Q21	KRC105M-T	DIGI TRANSISTOR	
	Q22	2SD468/BC/-T	TRANSISTOR	
	△ Q41	2SB1357/EF/-T	TRANSISTOR	
	Q42	KRC102M-T	DIGI TRANSISTOR	
	Q43	KRA104M-T	DIGI TRANSISTOR	
	Q44	KTC3200/GL/-T	TRANSISTOR	
	Q45	2SD2394/EF/	TRANSISTOR	
	Q46	KRA104M-T	DIGI TRANSISTOR	
	Q47	KRC104M-T	TRANSISTOR	
	Q53	2SC1740S/RS/-T	TRANSISTOR	
	Q54	KRA104M-T	DIGI TRANSISTOR	
	Q55	KRC104M-T	TRANSISTOR	
	△ Q61	2SD2394/EF/	TRANSISTOR	
	△ Q62	KTA1046/Y/	TRANSISTOR	
	Q63	2SC1740S/RS/-T	TRANSISTOR	
	Q64	KRC104M-T	TRANSISTOR	
	Q65	KRC104M-T	TRANSISTOR	
	D1	MTZJ4.7B-T2	Z DIODE	
	D2	1SS133-T2	DIODE	
	D3	1SS133-T2	DIODE	
	D4	MTZJ6.8B-T2	Z DIODE	
	△ D21	11ES2-T4	DIODE	
	△ D22	11ES2-T4	DIODE	
	△ D23	11ES2-T4	DIODE	
	△ D24	11ES2-T4	DIODE	
	D25	1SS133-T2	DIODE	
	D26	MTZJ6.2A-T2	Z DIODE	
	△ D41	RS403L	FR DIODE	
	D45	MTZJ5.6C-T2	Z DIODE	
	△ D48	11ES2-T4	DIODE	
	D49	MTZJ36C-T2	Z DIODE	
	D50	MTZJ8.2C-T2	Z DIODE	
	D51	HZ6B1L-T2	Z DIODE	
	△ D61	31DF2-FC6	FR DIODE	
	△ D62	31DF2-FC6	FR DIODE	
	△ D63	31DF2-FC6	FR DIODE	
	△ D64	31DF2-FC6	FR DIODE	
	D65	1SS133-T2	DIODE	
	D66	1SS133-T2	DIODE	
	D67	1SS133-T2	DIODE	
	D68	1SS133-T2	DIODE	
	D69	HZ18-2L-T2	Z DIODE	
	D70	HZ18-2L-T2	Z DIODE	
	D71	1SS133-T2	DIODE	
	D72	1SS133-T2	DIODE	

△ Symbol No.	Part No.	Part Name	Description	Local
	C1	QETN1CM-107Z	E CAPACITOR	100uF 16V M
	C2	QCBB1HK-222Y	C CAPACITOR	2200pF 50V K
	C3	QETN1CM-107Z	E CAPACITOR	100uF 16V M
	C4	QETN1AM-227Z	E CAPACITOR	220uF 10V M
	△ C21	QCZ9105-47Z	C CAPACITOR	4700pF 250V M
	C22	QCF31HZ-103Z	C CAPACITOR	0.01uF 50V Z
	C23	QETM1EM-228	E CAPACITOR	2200uF 25V M
	C24	QCF31HZ-472Z	C CAPACITOR	4700pF 50V Z
	C25	QETN1CM-477Z	E CAPACITOR	470uF 16V M
	C40	QETM1EM-228	E CAPACITOR	2200uF 25V M
	C41	QFVC1HJ-104Z	MF CAPACITOR	0.1uF 50V J
	C42	QETM1EM-228	E CAPACITOR	2200uF 25V M
	C43	QETN1CM-107Z	E CAPACITOR	100uF 16V M
	C44	QFN31HJ-223Z	M CAPACITOR	0.022uF 50V J
	C45	QFN31HJ-223Z	M CAPACITOR	0.022uF 50V J
	C46	QFN31HJ-223Z	M CAPACITOR	0.022uF 50V J
	C47	QFN31HJ-223Z	M CAPACITOR	0.022uF 50V J
	C48	QFN31HJ-223Z	M CAPACITOR	0.022uF 50V J
	C49	QEZ0558-688	E CAPACITOR	6800uF
	C51	QEZ0629-107	E.CAPA AWF	100uF
	C52	QETN1EM-107Z	E CAPACITOR	100uF 25V M
	C53	QETN1JM-227Z	E CAPACITOR	220uF 63V M
	C54	QETN1HM-226Z	E CAPACITOR	22uF 50V M
	C55	QETN1HM-226Z	E CAPACITOR	22uF 50V M
	C56	QETN1HM-105Z	E CAPACITOR	1uF 50V M
	C57	QFVC1HJ-473Z	MF CAPACITOR	0.047uF 50V J
	C58	QFVC1HJ-473Z	MF CAPACITOR	0.047uF 50V J
	C59	QFN31HJ-472Z	M CAPACITOR	4700pF 50V J
	C60	QCBB1HK-222Y	C CAPACITOR	2200pF 50V K
	C61	QFZ0160-223Z	PP CAPACITOR	0.022uF
	C62	QFZ0160-223Z	PP CAPACITOR	0.022uF
	C63	QFZ0160-223Z	PP CAPACITOR	0.022uF
	C64	QFZ0160-223Z	PP CAPACITOR	0.022uF
	C65	QFZ0160-223Z	PP CAPACITOR	0.022uF
	C71	QEZ0596-228	C CAPACITOR	2200uF
	C72	QEZ0596-228	C CAPACITOR	2200uF
	C73	QEZ0538-227Z	C CAPACITOR	220uF
	C74	QEZ0538-227Z	C CAPACITOR	220uF
	C75	QFN31HJ-472Z	M CAPACITOR	4700pF 50V J
	C76	QFN31HJ-472Z	M CAPACITOR	4700pF 50V J
	C78	QETN1HM-475Z	E CAPACITOR	4.7uF 50V M
	C79	QETN1HM-226Z	E CAPACITOR	22uF 50V M
	C80	QETN1HM-226Z	E CAPACITOR	22uF 50V M
	C81	QCBB1HK-331Y	C CAPACITOR	330pF 50V K
	C82	QCBB1HK-331Y	C CAPACITOR	330pF 50V K
	C83	QCBB1HK-331Y	C CAPACITOR	330pF 50V K
	R1	QRJ146J-151X	UNF C RESISTOR	150Ω 1/4W J
	R2	QRE141J-473Y	C RESISTOR	47kΩ 1/4W J
	R4	QRE141J-472Y	C RESISTOR	4.7kΩ 1/4W J
	R5	QRE141J-821Y	C RESISTOR	820Ω 1/4W J
	R6	QRE141J-101Y	C RESISTOR	100Ω 1/4W J
	R7	QRE141J-101Y	C RESISTOR	100Ω 1/4W J
	R8	QRE141J-472Y	C RESISTOR	4.7kΩ 1/4W J
	R9	QRZ0133-3R9	C.RES RMA	3.9Ω
	R10	QRZ0133-3R9	C.RES RMA	3.9Ω
	△ R22	QRZ9006-4R7X	FUSI RESISTOR	4.7Ω 1/4W J
	R23	QRE141J-821Y	C RESISTOR	820Ω 1/4W J
	△ R26	QRZ9006-4R7X	FUSI RESISTOR	4.7Ω 1/4W J
	R28	QRE141J-152Y	C RESISTOR	1.5kΩ 1/4W J
	R41	QRT01DJ-R22X	MF RESISTOR	0.22Ω 1W J
	R43	QRT01DJ-R22X	MF RESISTOR	0.22Ω 1W J
	R45	QRJ146J-1R0X	UNF C RESISTOR	1Ω 1/4W J
	△ R46	QRT01DJ-4R7X	MF RESISTOR	4.7Ω 1W J
	△ R47	QRT01DJ-4R7X	MF RESISTOR	4.7Ω 1W J
	△ R48	QRJ146J-332X	UNF C RESISTOR	3.3kΩ 1/4W J
	R49	QRE141J-223Y	C RESISTOR	22kΩ 1/4W J
	R50	QRE141J-104Y	C RESISTOR	100kΩ 1/4W J

△ Symbol No.	Part No.	Part Name	Description	Local
R51	QRE141J-821Y	C RESISTOR	820Ω 1/4W J	
R52	QRE141J-101Y	C RESISTOR	100Ω 1/4W J	
R53	QRE141J-101Y	C RESISTOR	100Ω 1/4W J	
R54	QRE141J-472Y	C RESISTOR	4.7kΩ 1/4W J	
△ R55	QRT01DJ-4R7X	MF RESISTOR	4.7Ω 1W J	
△ R56	QRT01DJ-4R7X	MF RESISTOR	4.7Ω 1W J	
R57	QRE141J-821Y	C RESISTOR	820Ω 1/4W J	
△ R61	QRZ0133-2R2	C.RES RMA	2.2Ω	
△ R62	QRZ0133-2R2	C.RES RMA	2.2Ω	
△ R63	QRZ0133-911	C RESISTOR	910Ω	
△ R64	QRZ0133-911	C RESISTOR	910Ω	
△ R65	QRZ9005-100X	F RESISTOR	10Ω	
R67	QRE141J-562Y	C RESISTOR	5.6kΩ 1/4W J	
R68	QRE141J-822Y	C RESISTOR	8.2kΩ 1/4W J	
R69	QRE141J-103Y	C RESISTOR	10kΩ 1/4W J	
R70	QRE141J-221Y	C RESISTOR	220Ω 1/4W J	
R71	QRE141J-221Y	C RESISTOR	220Ω 1/4W J	
R72	QRE141J-163Y	C RESISTOR	16kΩ 1/4W J	
R73	QRE141J-222Y	C RESISTOR	2.2kΩ 1/4W J	
R74	QRE141J-123Y	C RESISTOR	12kΩ 1/4W J	
R75	QRE141J-103Y	C RESISTOR	10kΩ 1/4W J	
△ R76	QRZ9005-680X	F RESISTOR	68Ω	
R77	QRE141J-103Y	C RESISTOR	10kΩ 1/4W J	
R78	QRE141J-103Y	C RESISTOR	10kΩ 1/4W J	
R79	QRE141J-222Y	C RESISTOR	2.2kΩ 1/4W J	
R80	QRE141J-163Y	C RESISTOR	16kΩ 1/4W J	
R81	QRL027J-471	OMF RESISTOR	470Ω 2W J	
R82	QRL027J-471	OMF RESISTOR	470Ω 2W J	
R83	QRE141J-103Y	C RESISTOR	10kΩ 1/4W J	
△ R84	QRZ9005-680X	F RESISTOR	68Ω	
R4011	QRZ0133-2R2	C.RES RMA	2.2Ω	
R4012	QRZ0133-911	C RESISTOR	910Ω	
△ T21	QQT0281-002	POWER TRANSF		

CN1	QGF1205C1-21	CONNECTOR	FFC/FPC (1-21)	
CN2	QGF1205C1-24	CONNECTOR	FFC/FPC (1-24)	
CN3	QGB2510J1-07	CONNECTOR	B-B (1-7)	
CN4	QGB2510J1-06	CONNECTOR	B-B (1-6)	
CN5	QGB2510J1-10	CONNECTOR	B-B (1-10)	
CN6	QGB1214J1-10S	CONNECTOR	B-B (1-10)	
CN7	QGB1214J1-16S	CONNECTOR	B-B (1-16)	
CN8	QGB1214J1-20S	CONNECTOR	B-B (1-20)	
CN9	QGB2510J1-10	CONNECTOR	B-B (1-10)	
CN10	QGB2510J1-05	CONNECTOR	B-B (1-5)	
CN11	QGA2001C1-05	CONNECTOR	W-B (1-5)	
CN12	QGB1214J1-10S	CONNECTOR	B-B (1-10)	
CN13	QGB2510J1-04	CONNECTOR	B-B (1-4)	
CN14	QGB2510J1-04	CONNECTOR	B-B (1-4)	
CN15	QGB2510J1-06	CONNECTOR	B-B (1-6)	
CN25	QGA2001C1-08	CONNECTOR	W-B (1-8)	
CN41	QGA7901C1-02	CONNECTOR	W-B (1-2)	
CN44	QGA2001F1-05	CONNECTOR	W-B (1-5)	
CN45	QGA2001F1-08	CONNECTOR	W-B (1-8)	
CN46	QGA2001C1-03	CONNECTOR	W-B (1-3)	
CN47	QGA7901C1-02	CONNECTOR	W-B (1-2)	
CN48	QGA2001C1-04	CONNECTOR	W-B (1-4)	
CN61	QGA3901C1-04	CONNECTOR	W-B (1-4)	
CN62	QGA2001C1-09	CONNECTOR	W-B (1-9)	
CN63	QGA2501C1-02	CONNECTOR	W-B (1-2)	
CN64	QGA2001C1-03	CONNECTOR	W-B (1-3)	
CN65	QGA2001C1-02	CONNECTOR	W-B (1-2)	
EP1	QNZ0136-001Z	EARTH PLATE		
EP2	QNZ0136-001Z	EARTH PLATE		
EP3	QNZ0136-001Z	EARTH PLATE		
EP22	QNZ0136-001Z	EARTH PLATE		
EP61	QNZ0136-001Z	EARTH PLATE		
EP62	QNZ0136-001Z	EARTH PLATE		
FC21	QNG0020-001Z	FUSE CLIP		
FC22	QNG0020-001Z	FUSE CLIP		
FC41	QNG0020-001Z	FUSE CLIP		
FC42	QNG0020-001Z	FUSE CLIP		
FC43	QNG0020-001Z	FUSE CLIP		
FC44	QNG0020-001Z	FUSE CLIP		
FC401	QNG0020-001Z	FUSE CLIP		
FC402	QNG0020-001Z	FUSE CLIP		
FS601	VYSH101-009	SPACER		
FS602	VYSH101-009	SPACER		

△ Symbol No.	Part No.	Part Name	Description	Local
FS603	VYSH101-009	SPACER		
FS604	VYSH101-009	SPACER		
FS605	VYSH101-009	SPACER		
FS606	VYSH101-009	SPACER		
HS1	E70306-005	HEAT SINK		
HS2	E70306-005	HEAT SINK		
HS61	E70306-001	HEAT SINK		
HS62	E70306-001	HEAT SINK		
J81	QNS0061-001	6.3 JACK		
K1	QQR0779-001Z	COIL		
K2	QQR0779-001Z	COIL		
RY1	QSK0109-001	RELAY		
△ RY21	QSK0098-001	RELAY		
RY101	QSK0131-001	RELAY		
RY102	QSK0131-001	RELAY		
RY103	QSK0131-001	RELAY		
RY104	QSK0131-001	RELAY		
△ TH41	QAD0095-4R7Z	P THERMISTOR	4.7Ω M	
TW41	QUB220-08DMHP	SIN TWIST WIRE		
TW42	QUB220-08DMHP	SIN TWIST WIRE		
WR12	QJK016-056500	SIN CR C-B WIRE		
WR13	QJK016-096004	SIN CR C-B WIRE		
WR14	QJK016-090802	SIN CR C-B WIRE		
WR26	QJK016-081103	SIN CR C-B WIRE		
WR41	WJK0153-001A	E-SI C WIRE C-B		
WR42	QJK016-031503	E-SI C WIRE C-B		
WR48	QJK016-041204	E-SI C WIRE C-B		
WR81	QJK015-041204	E-SI C WIRE C-B		
WR85	QJP001-033801	SHI CR C-B WIRE		
WR86	QJK016-022202	SIN CR C-B WIRE		
WR101	QJK012-063801	E-SI C WIRE C-B		
WR102	QJK017-025202	E-SI C WIRE C-B		
WR601	QUB340-12A2A2	WIRE		
WR602	QUB348-13A2A2	WIRE		
WR603	QUB451-17A5A2	WIRE		

## Front board

Block No. [0][4][0][0]

△ Symbol No.	Part No.	Part Name	Description	Local
IC961	MN101CP49K926	IC	System micom	
IC962	MN101C35DHN	IC	Panel micom	
IC963	IC-PST9139-T	IC	Regulator	
IC964	GP1UM271XK	IR DETECT UNIT	Receiver for remote	
IC965	BU2092F-X	IC	Serial IN/Parallel OUT driver	
IC967	TA8409S	IC	Motor driver	
Q1003	KRC107M-T	DIGI TRANSISTOR		
Q1011	KRC107M-T	DIGI TRANSISTOR		
Q1012	KRA107M-T	DIGI TRANSISTOR		
Q1013	KRA107M-T	DIGI TRANSISTOR		
Q1014	KRA107M-T	DIGI TRANSISTOR		
Q1015	KRA107M-T	DIGI TRANSISTOR		
Q1016	KRA107M-T	DIGI TRANSISTOR		
Q1017	KRA107M-T	DIGI TRANSISTOR		
Q1018	KRA107M-T	DIGI TRANSISTOR		
Q1019	KRA107M-T	DIGI TRANSISTOR		
Q1020	KRA107M-T	DIGI TRANSISTOR		
Q1021	KRC111M-T	TRANSISTOR		
Q1022	KRC109M-T	DIGI TRANSISTOR		
Q1023	KRC107M-T	DIGI TRANSISTOR		
Q1031	KRA107M-T	DIGI TRANSISTOR		
Q1034	KRA107M-T	DIGI TRANSISTOR		
Q1035	KRC103M-T	TRANSISTOR		
D1001	11ES2-T4	DIODE		
D1002	11ES2-T4	DIODE		
D1003	11ES2-T4	DIODE		
D1004	11ES2-T4	DIODE		
D1005	1SS133-T2	DIODE		
D1023	1SS133-T2	DIODE		
D1024	1SS133-T2	DIODE		

△ Symbol No.	Part No.	Part Name	Description	Local	△ Symbol No.	Part No.	Part Name	Description	Local
D1031	SLR-342VC-T	LED			R1052	NRSA63J-102X	MG RESISTOR	1kΩ 1/16W J	
D1034	SELU2E10C/EF/	LED			R1053	NRSA63J-122X	MG RESISTOR	1.2kΩ 1/16W J	
D1231	MTZJ6.2C-T2	Z DIODE			R1054	NRSA63J-152X	MG RESISTOR	1.5kΩ 1/16W J	
C29	NCB31HK-472X	C CAPACITOR	4700pF 50V K		R1055	NRSA63J-222X	MG RESISTOR	2.2kΩ 1/16W J	
C471	QCSB1HJ-470Y	C CAPACITOR	47pF 50V J		R1056	NRSA63J-102X	MG RESISTOR	1kΩ 1/16W J	
C472	QCSB1HJ-470Y	C CAPACITOR	47pF 50V J		R1059	NRSA63J-104X	MG RESISTOR	100kΩ 1/16W J	
C473	QCSB1HJ-470Y	C CAPACITOR	47pF 50V J		R1060	NRSA63J-104X	MG RESISTOR	100kΩ 1/16W J	
C475	QCBB1HK-331Y	C CAPACITOR	330pF 50V K		R1061	NRSA63J-103X	MG RESISTOR	10kΩ 1/16W J	
C476	QCBB1HK-331Y	C CAPACITOR	330pF 50V K		R1062	NRSA63J-103X	MG RESISTOR	10kΩ 1/16W J	
C478	QDVB1EZ-223Y	C CAPACITOR	0.022uF 25V Z		R1063	NRSA63J-103X	MG RESISTOR	10kΩ 1/16W J	
C479	QFN31HJ-473Z	M CAPACITOR	0.047uF 50V J		R1064	NRSA63J-103X	MG RESISTOR	10kΩ 1/16W J	
C1001	QEKC0JM-107Z	E CAPACITOR	100uF 6.3V M		R1065	NRSA63J-103X	MG RESISTOR	10kΩ 1/16W J	
C1002	QCZ0202-155Z	C CAPACITOR	1.5uF 25V Z		R1066	NRSA63J-103X	MG RESISTOR	10kΩ 1/16W J	
C1003	QEZO361-479	E.D.L. CAPACITOR	0.047F		R1071	NRSA63J-221X	MG RESISTOR	220Ω 1/16W J	
C1004	QEKC1HM-225Z	E CAPACITOR	2.2uF 50V M		R1072	NRSA63J-221X	MG RESISTOR	220Ω 1/16W J	
C1005	NCF21HZ-223X	C CAPACITOR	0.022uF 50V Z		R1073	NRSA63J-221X	MG RESISTOR	220Ω 1/16W J	
C1006	QEKC0JM-107Z	E CAPACITOR	100uF 6.3V M		R1074	NRSA63J-221X	MG RESISTOR	220Ω 1/16W J	
C1007	QCZ0202-155Z	C CAPACITOR	1.5uF 25V Z		R1075	NRSA63J-221X	MG RESISTOR	220Ω 1/16W J	
C1008	NCF21HZ-223X	C CAPACITOR	0.022uF 50V Z		R1076	NRSA63J-222X	MG RESISTOR	2.2kΩ 1/16W J	
C1009	NCB31HK-103X	C CAPACITOR	0.01uF 50V K		R1081	NRSA63J-103X	MG RESISTOR	10kΩ 1/16W J	
C1011	QEKC1HM-475Z	E CAPACITOR	4.7uF 50V M		R1082	NRSA63J-103X	MG RESISTOR	10kΩ 1/16W J	
C1012	QEKC1HM-475Z	E CAPACITOR	4.7uF 50V M		R1083	NRSA63J-103X	MG RESISTOR	10kΩ 1/16W J	
C1013	QEKC1HM-475Z	E CAPACITOR	4.7uF 50V M		R1084	NRSA63J-474X	MG RESISTOR	470kΩ 1/16W J	
C1021	QCBB1HK-331Y	C CAPACITOR	330pF 50V K		R1085	NRSA63J-103X	MG RESISTOR	10kΩ 1/16W J	
C1025	QEKC0JM-107Z	E CAPACITOR	100uF 6.3V M		R1086	NRSA63J-333X	MG RESISTOR	33kΩ 1/16W J	
C1034	QDVB1EZ-223Y	C CAPACITOR	0.022uF 25V Z		R1091	NRSA63J-221X	MG RESISTOR	220Ω 1/16W J	
C1035	QEKC1CM-476Z	E CAPACITOR	47uF 16V M		R1092	NRSA63J-221X	MG RESISTOR	220Ω 1/16W J	
C1036	QEKC1CM-106Z	E CAPACITOR	10uF 16V M		R1093	NRSA63J-221X	MG RESISTOR	220Ω 1/16W J	
C1037	QCZ0202-155Z	C CAPACITOR	1.5uF 25V Z		R1094	NRSA63J-221X	MG RESISTOR	220Ω 1/16W J	
C1038	QEKC1CM-476Z	E CAPACITOR	47uF 16V M		R1095	NRSA63J-221X	MG RESISTOR	220Ω 1/16W J	
C1041	NCB31HK-471X	C CAPACITOR	470pF 50V K		R1096	NRSA63J-221X	MG RESISTOR	220Ω 1/16W J	
C1042	NCB31HK-471X	C CAPACITOR	470pF 50V K		R1097	NRSA63J-221X	MG RESISTOR	220Ω 1/16W J	
C1043	NCB31HK-471X	C CAPACITOR	470pF 50V K		R1098	NRSA63J-221X	MG RESISTOR	220Ω 1/16W J	
C1044	NCB31HK-471X	C CAPACITOR	470pF 50V K		R1099	NRSA63J-221X	MG RESISTOR	220Ω 1/16W J	
C1045	NCB31HK-471X	C CAPACITOR	470pF 50V K		R1100	NRSA63J-561X	MG RESISTOR	560Ω 1/16W J	
C1046	NCB31HK-471X	C CAPACITOR	470pF 50V K		R1101	NRSA63J-102X	MG RESISTOR	1kΩ 1/16W J	
C1047	NCB31HK-471X	C CAPACITOR	470pF 50V K		R1102	NRSA63J-102X	MG RESISTOR	1kΩ 1/16W J	
C1059	NCF31CZ-104X	C CAPACITOR	0.1uF 16V Z		R1103	NRSA63J-122X	MG RESISTOR	1.2kΩ 1/16W J	
C1060	NCF31CZ-104X	C CAPACITOR	0.1uF 16V Z		R1104	NRSA63J-152X	MG RESISTOR	1.5kΩ 1/16W J	
C1061	QCBB1HK-101Y	C CAPACITOR	100pF 50V K		R1105	NRSA63J-222X	MG RESISTOR	2.2kΩ 1/16W J	
C1221	NCB31HK-331X	C CAPACITOR	330pF 50V K		R1106	NRSA63J-272X	MG RESISTOR	2.7kΩ 1/16W J	
C1222	NCB31HK-331X	C CAPACITOR	330pF 50V K		R1107	NRSA63J-332X	MG RESISTOR	3.3kΩ 1/16W J	
C1231	NCB31HK-221X	C CAPACITOR	220pF 50V K		R1122	NRSA63J-102X	MG RESISTOR	1kΩ 1/16W J	
C3734	NCF31CZ-104X	C CAPACITOR	0.1uF 16V Z		R1123	NRSA63J-102X	MG RESISTOR	1kΩ 1/16W J	
R471	QRE141J-750Y	C RESISTOR	75Ω 1/4W J		R1124	NRSA63J-122X	MG RESISTOR	1.2kΩ 1/16W J	
R472	QRE141J-750Y	C RESISTOR	75Ω 1/4W J		R1125	NRSA63J-102X	MG RESISTOR	1kΩ 1/16W J	
R473	QRE141J-750Y	C RESISTOR	75Ω 1/4W J		R1126	NRSA63J-102X	MG RESISTOR	1kΩ 1/16W J	
R1003	NRSA63J-331X	MG RESISTOR	330Ω 1/16W J		R1127	NRSA63J-122X	MG RESISTOR	1.2kΩ 1/16W J	
R1004	NRSA63J-223X	MG RESISTOR	22kΩ 1/16W J		R1128	NRSA63J-152X	MG RESISTOR	1.5kΩ 1/16W J	
R1005	NRSA63J-472X	MG RESISTOR	4.7kΩ 1/16W J		R1129	NRSA63J-222X	MG RESISTOR	2.2kΩ 1/16W J	
R1006	NRSA63J-473X	MG RESISTOR	47kΩ 1/16W J		R1130	NRSA63J-272X	MG RESISTOR	2.7kΩ 1/16W J	
R1011	QRE141J-513Y	C RESISTOR	51kΩ 1/4W J		R1131	NRSA63J-102X	MG RESISTOR	1kΩ 1/16W J	
R1021	QRE141J-471Y	C RESISTOR	470Ω 1/4W J		R1132	NRSA63J-102X	MG RESISTOR	1kΩ 1/16W J	
R1022	QRE141J-103Y	C RESISTOR	10kΩ 1/4W J		R1133	NRSA63J-122X	MG RESISTOR	1.2kΩ 1/16W J	
R1023	QRE141J-103Y	C RESISTOR	10kΩ 1/4W J		R1134	NRSA63J-152X	MG RESISTOR	1.5kΩ 1/16W J	
R1024	QRE141J-223Y	C RESISTOR	22kΩ 1/4W J		R1135	NRSA63J-222X	MG RESISTOR	2.2kΩ 1/16W J	
R1025	QRE141J-103Y	C RESISTOR	10kΩ 1/4W J		R1141	NRSA63J-152X	MG RESISTOR	1.5kΩ 1/16W J	
R1030	QRE141J-103Y	C RESISTOR	10kΩ 1/4W J		R1142	NRSA63J-222X	MG RESISTOR	2.2kΩ 1/16W J	
R1031	QRE141J-221Y	C RESISTOR	220Ω 1/4W J		R1143	NRSA63J-272X	MG RESISTOR	2.7kΩ 1/16W J	
R1034	QRE141J-122Y	C RESISTOR	1.2kΩ 1/4W J		R1144	NRSA63J-332X	MG RESISTOR	3.3kΩ 1/16W J	
R1035	QRE141J-100Y	C RESISTOR	10Ω 1/4W J		R1151	NRSA63J-221X	MG RESISTOR	220Ω 1/16W J	
R1036	QRE141J-100Y	C RESISTOR	10Ω 1/4W J		R1152	NRSA63J-221X	MG RESISTOR	220Ω 1/16W J	
R1037	QRE141J-153Y	C RESISTOR	15kΩ 1/4W J		R1153	NRSA63J-221X	MG RESISTOR	220Ω 1/16W J	
R1038	QRE141J-333Y	C RESISTOR	33kΩ 1/4W J		R1154	NRSA63J-221X	MG RESISTOR	220Ω 1/16W J	
R1039	QRE141J-273Y	C RESISTOR	27kΩ 1/4W J		R1155	NRSA63J-221X	MG RESISTOR	220Ω 1/16W J	
R1041	NRSA63J-103X	MG RESISTOR	10kΩ 1/16W J		R1156	NRSA63J-221X	MG RESISTOR	220Ω 1/16W J	
R1042	NRSA63J-124X	MG RESISTOR	120kΩ 1/16W J		R1157	NRSA63J-221X	MG RESISTOR	220Ω 1/16W J	
R1043	NRSA63J-124X	MG RESISTOR	120kΩ 1/16W J		R1158	NRSA63J-221X	MG RESISTOR	220Ω 1/16W J	
R1044	NRSA63J-103X	MG RESISTOR	10kΩ 1/16W J		R1161	NRSA63J-221X	MG RESISTOR	220Ω 1/16W J	
R1045	NRSA63J-103X	MG RESISTOR	10kΩ 1/16W J		R1162	NRSA63J-221X	MG RESISTOR	220Ω 1/16W J	
R1046	NRSA63J-103X	MG RESISTOR	10kΩ 1/16W J		R1163	NRSA63J-221X	MG RESISTOR	220Ω 1/16W J	
R1047	NRSA63J-103X	MG RESISTOR	10kΩ 1/16W J		R1164	NRSA63J-221X	MG RESISTOR	220Ω 1/16W J	
R1048	NRSA63J-103X	MG RESISTOR	10kΩ 1/16W J		R1165	NRSA63J-221X	MG RESISTOR	220Ω 1/16W J	
R1049	NRSA63J-103X	MG RESISTOR	10kΩ 1/16W J		R1166	NRSA63J-221X	MG RESISTOR	220Ω 1/16W J	
R1050	NRSA63J-103X	MG RESISTOR	10kΩ 1/16W J		R1167	NRSA63J-221X	MG RESISTOR	220Ω 1/16W J	
R1051	NRSA63J-102X	MG RESISTOR	1kΩ 1/16W J		R1168	NRSA63J-221X	MG RESISTOR	220Ω 1/16W J	
					R1169	NRSA63J-221X	MG RESISTOR	220Ω 1/16W J	
					R1170	NRSA63J-221X	MG RESISTOR	220Ω 1/16W J	

Symbol No.	Part No.	Part Name	Description	Local	Symbol No.	Part No.	Part Name	Description	Local
R1171	NRSA63J-221X	MG RESISTOR	220Ω 1/16W J		S1027	QSW0683-001Z	PUSH SW		
R1172	NRSA63J-221X	MG RESISTOR	220Ω 1/16W J		S1028	QSW0683-001Z	PUSH SW		
R1173	NRSA63J-221X	MG RESISTOR	220Ω 1/16W J		S1029	QSW0683-001Z	PUSH SW		
R1174	NRSA63J-221X	MG RESISTOR	220Ω 1/16W J		S1030	QSW0683-001Z	PUSH SW		
R1178	NRSA63J-221X	MG RESISTOR	220Ω 1/16W J		S1031	QSW0683-001Z	PUSH SW		
R1179	NRSA63J-221X	MG RESISTOR	220Ω 1/16W J		S1032	QSW0683-001Z	PUSH SW		
R1180	NRSA63J-221X	MG RESISTOR	220Ω 1/16W J		S1033	QSW0683-001Z	PUSH SW		
R1182	NRSA63J-221X	MG RESISTOR	220Ω 1/16W J		S1034	QSW0683-001Z	PUSH SW		
R1183	NRSA63J-221X	MG RESISTOR	220Ω 1/16W J		S1035	QSW0683-001Z	PUSH SW		
R1184	NRSA63J-221X	MG RESISTOR	220Ω 1/16W J		S1041	QSW0683-001Z	PUSH SW		
R1191	NRSA63J-221X	MG RESISTOR	220Ω 1/16W J		S1042	QSW0683-001Z	PUSH SW		
R1192	NRSA63J-221X	MG RESISTOR	220Ω 1/16W J		S1043	QSW0683-001Z	PUSH SW		
R1193	NRSA63J-221X	MG RESISTOR	220Ω 1/16W J		S1044	QSW0683-001Z	PUSH SW		
R1194	NRSA63J-221X	MG RESISTOR	220Ω 1/16W J		S1051	QSW0851-001	SWITCH		
R1195	NRSA63J-221X	MG RESISTOR	220Ω 1/16W J		S1052	QSW0851-001	SWITCH		
R1196	NRSA63J-221X	MG RESISTOR	220Ω 1/16W J		TF1	QMR0010-001	TH PROTECTOR		
R1197	NRSA63J-221X	MG RESISTOR	220Ω 1/16W J		TF2	QMR0008-001	TH PROTECTOR		
R1198	NRSA63J-221X	MG RESISTOR	220Ω 1/16W J		UN634	GP1FM313RZ	OPT RECEIVER		
R1220	NRSA63J-182X	MG RESISTOR	1.8kΩ 1/16W J		WR64	QJK030-033403	SIN CR C-B WIRE		
R1221	NRSA63J-471X	MG RESISTOR	470Ω 1/16W J		WR65	QJK030-023002	SIN CR C-B WIRE		
R1222	NRSA63J-471X	MG RESISTOR	470Ω 1/16W J		WR302	QJP001-033001	SHI CR C-B WIRE		
R1223	NRSA63J-332X	MG RESISTOR	3.3kΩ 1/16W J		WR961	QJK030-084803	SIN CR C-B WIRE		
R1224	NRSA63J-332X	MG RESISTOR	3.3kΩ 1/16W J		WR962	QJK030-082003	SIN CR C-B WIRE		
R1225	NRSA63J-332X	MG RESISTOR	3.3kΩ 1/16W J		WR966	QJK016-092004	SIN CR C-B WIRE		
R1226	NRSA63J-332X	MG RESISTOR	3.3kΩ 1/16W J		WR967	QJK016-082403	SIN CR C-B WIRE		
R1227	NRSA63J-332X	MG RESISTOR	3.3kΩ 1/16W J		WR970	QJK016-090804	SIN CR C-B WIRE		
R1228	NRSA63J-332X	MG RESISTOR	3.3kΩ 1/16W J		WR972	QJK016-021002	SIN CR C-B WIRE		
R1229	NRSA63J-332X	MG RESISTOR	3.3kΩ 1/16W J		WR977	QJK030-042004	SIN CR C-B WIRE		
R1230	NRSA63J-332X	MG RESISTOR	3.3kΩ 1/16W J		WR984	QJK016-101100	SIN CR C-B WIRE		
R1231	NRSA63J-221X	MG RESISTOR	220Ω 1/16W J		WR986	QJK016-061101	SIN CR C-B WIRE		
R1232	NRSA63J-471X	MG RESISTOR	470Ω 1/16W J		X1001	QAX0246-001Z	C RESONATOR	8.00MHz	
R1233	NRSA63J-221X	MG RESISTOR	220Ω 1/16W J		X1002	QAX0246-001Z	C RESONATOR	8.00MHz	
R1234	NRSA63J-182X	MG RESISTOR	1.8kΩ 1/16W J						
R1235	NRSA63J-182X	MG RESISTOR	1.8kΩ 1/16W J						
R1241	NRSA63J-562X	MG RESISTOR	5.6kΩ 1/16W J						
R1242	NRSA63J-562X	MG RESISTOR	5.6kΩ 1/16W J						
R1243	NRSA63J-562X	MG RESISTOR	5.6kΩ 1/16W J						
R3734	NRSA63J-221X	MG RESISTOR	220Ω 1/16W J						
RA966	QRB169J-104	NET RESISTOR	100kΩ J						

## DSP board

Block No. [0][5][0][0]

Symbol No.	Part No.	Part Name	Description	Local
IC481	TC9090AN	IC	3-line digital Y/C signal separation IC for multi-colors	
IC482	UPC1862GS-X	IC	Video signal processing clock generator	
IC661	TMX320DA610P225	IC	DSP controlor	
IC662	SST39VF160-7CEK	IC (FLASH)	16Mbit multi-purpose flash memory	
IC663	or HY57641620HGT7	IC	4banks x 1Mbits x16 DRAM	
IC663	K4S641632F-TC75	IC(DIGITAL)	CMOS SDRAM	
IC671	UPD78F4216AC924	IC	Local micom	
IC673	AK4112BVF-X	IC(MICRO C ROM)	Digital audio signal receiver	
IC674	SN74LV126APW-X	IC	4-output buffers	
IC675	CS8405A-CS-X	IC	Digital audio interfase transmitter	
IC676	SN74LV157APW-X	IC	Data selector / Multiplexers	
IC677	SN74AHC2G74T-X	IC	Flip-Flop	
IC678	SN74LV74APW-X	IC	Flip-Flop	
IC681	SN74LV157APW-X	IC	Data selector / Multiplexers	
IC690	PQ012FZ01Z-X	IC	Low Power-Loss Voltage Regulator	
IC691	BA033FP-X	IC	Regulator	
IC692	BA033FP-X	IC	Regulator	
IC693	BA033FP-X	IC	Regulator	
IC700	SN74LVC1G04K-X	IC	Inverter	
IC801	TC5081BP	IC	Phase Comparator	
IC802	SN74LVC1GU04K-X	IC	Inverter	
IC803	SN74AHC2G74T-X	IC	Flip-Flop	
IC804	TC3W03FU-X	IC	Crystal oscillator	
IC805	SN74LV393APW-X	IC	Binary counters	
IC806	SN74AHC2G74T-X	IC	Flip-Flop	

△ Symbol No.	Part No.	Part Name	Description	Local	△ Symbol No.	Part No.	Part Name	Description	Local
IC807	SN74LVC1G04K-X	IC	Inverter		C3552	NCB31HK-103X	C CAPACITOR	0.01uF 50V K	
IC808	SN74AHCT32PW-X	IC(DIGITAL)	Quadruple 2-input OR gate		C3553	NCB31HK-103X	C CAPACITOR	0.01uF 50V K	
IC809	SN74LV74APW-X	IC	Flip-Flop		C3554	NCB31HK-103X	C CAPACITOR	0.01uF 50V K	
IC810	SN74LVC1G04K-X	IC	Inverter		C3555	NCB31HK-103X	C CAPACITOR	0.01uF 50V K	
IC811	SN74LV157APW-X	IC	Data selector / Multiplexers		C3556	NCB31HK-103X	C CAPACITOR	0.01uF 50V K	
IC812	SN74LV74APW-X	IC	Flip-Flop		C3557	NCB31HK-103X	C CAPACITOR	0.01uF 50V K	
IC814	SN74LV126APW-X	IC	4-output buffers		C3558	NCB31HK-103X	C CAPACITOR	0.01uF 50V K	
IC815	SN74LV393APW-X	IC	Binary counters		C3559	NCB31HK-103X	C CAPACITOR	0.01uF 50V K	
IC816	SN74LV126APW-X	IC	4-output buffers		C3560	NCB31HK-103X	C CAPACITOR	0.01uF 50V K	
IC817	SN74LVC2G241T-X	IC	Buffer		C3561	NCB31HK-103X	C CAPACITOR	0.01uF 50V K	
IC818	SN74LV126APW-X	IC	4-output buffers		C3562	NCB31HK-103X	C CAPACITOR	0.01uF 50V K	
IC819	SN74LV393APW-X	IC	Binary counters		C3563	NCB31HK-103X	C CAPACITOR	0.01uF 50V K	
IC820	SN74LV126APW-X	IC	4-output buffers		C3566	NCS31HJ-471X	C CAPACITOR	470pF 50V J	
IC821	SN74AHC2G74T-X	IC	Flip-Flop		C3567	NCS31HJ-471X	C CAPACITOR	470pF 50V J	
IC822	SN74LVC1G04K-X	IC	Inverter		C3571	NCB31HK-103X	C CAPACITOR	0.01uF 50V K	
IC831	PQ20VZ11-X	IC	Regulator		C3572	NCF31CZ-104X	C CAPACITOR	0.1uF 16V Z	
					C3573	NCF31CZ-104X	C CAPACITOR	0.1uF 16V Z	
					C3574	NEA71CM-106X	E CAPACITOR	10uF 16V M	
					C3575	NCF31CZ-104X	C CAPACITOR	0.1uF 16V Z	
					C3576	NCB31HK-103X	C CAPACITOR	0.01uF 50V K	
Q3651	DTC114YE-X	TRANSISTOR			C3581	NEA71CM-106X	E CAPACITOR	10uF 16V M	
Q3921	DTC114YE-X	TRANSISTOR			C3582	NCB31HK-103X	C CAPACITOR	0.01uF 50V K	
Q3922	DTC114YE-X	TRANSISTOR			C3591	NEA71CM-106X	E CAPACITOR	10uF 16V M	
Q4801	2SC2412K/RS/-X	TRANSISTOR			C3592	NCB31HK-103X	C CAPACITOR	0.01uF 50V K	
Q4802	2SC2412K/RS/-X	TRANSISTOR			C3601	NEA71CM-106X	E CAPACITOR	10uF 16V M	
Q4803	2SC2412K/RS/-X	TRANSISTOR			C3602	NCF31CZ-104X	C CAPACITOR	0.1uF 16V Z	
Q4804	2SA1037AK/RS/-X	TRANSISTOR			C3603	NCB30JK-105X	C CAPACITOR	1uF 6.3V K	
Q4805	2SC2412K/RS/-X	TRANSISTOR			C3604	NCB31HK-682X	C CAPACITOR	6800pF 50V K	
Q4806	2SA1037AK/RS/-X	TRANSISTOR			C3605	NCF21CZ-155X	C CAPACITOR	1.5uF 16V Z	
Q4807	2SC2412K/RS/-X	TRANSISTOR			C3606	NCB31HK-223X	C CAPACITOR	0.022uF 50V K	
Q4808	2SA1037AK/RS/-X	TRANSISTOR			C3608	NCS31HJ-101X	C CAPACITOR	100pF 50V J	
D3601	SVC343-X	VARI CAP			C3609	NCS31HJ-101X	C CAPACITOR	100pF 50V J	
D3602	SVC343-X	VARI CAP			C3610	NCF31CZ-104X	C CAPACITOR	0.1uF 16V Z	
D3604	1SS355-X	SI DIODE			C3611	NCF31CZ-104X	C CAPACITOR	0.1uF 16V Z	
					C3612	NCF31CZ-104X	C CAPACITOR	0.1uF 16V Z	
C3501	NEA70JM-107X	E CAPACITOR	100uF 6.3V M		C3613	NCF31CZ-104X	C CAPACITOR	0.1uF 16V Z	
C3502	NCF31CZ-104X	C CAPACITOR	0.1uF 16V Z		C3614	NCF31CZ-104X	C CAPACITOR	0.1uF 16V Z	
C3503	NCB31HK-103X	C CAPACITOR	0.01uF 50V K		C3615	NCF31CZ-104X	C CAPACITOR	0.1uF 16V Z	
C3504	NCB31HK-103X	C CAPACITOR	0.01uF 50V K		C3616	NCF31CZ-104X	C CAPACITOR	0.1uF 16V Z	
C3505	NCB31HK-103X	C CAPACITOR	0.01uF 50V K		C3617	NCF31CZ-104X	C CAPACITOR	0.1uF 16V Z	
C3506	NCB31HK-103X	C CAPACITOR	0.01uF 50V K		C3618	NCF31CZ-104X	C CAPACITOR	0.1uF 16V Z	
C3507	NCB31HK-103X	C CAPACITOR	0.01uF 50V K		C3619	NCF31CZ-104X	C CAPACITOR	0.1uF 16V Z	
C3508	NCB31HK-103X	C CAPACITOR	0.01uF 50V K		C3620	NCF31CZ-104X	C CAPACITOR	0.1uF 16V Z	
C3509	NCB31HK-103X	C CAPACITOR	0.01uF 50V K		C3621	NCF31CZ-104X	C CAPACITOR	0.1uF 16V Z	
C3510	NCB31HK-103X	C CAPACITOR	0.01uF 50V K		C3622	NCF31CZ-104X	C CAPACITOR	0.1uF 16V Z	
C3511	NCB31HK-103X	C CAPACITOR	0.01uF 50V K		C3624	NCF31CZ-104X	C CAPACITOR	0.1uF 16V Z	
C3512	NCB31HK-103X	C CAPACITOR	0.01uF 50V K		C3625	NCF31CZ-104X	C CAPACITOR	0.1uF 16V Z	
C3513	NCB31HK-103X	C CAPACITOR	0.01uF 50V K		C3626	NCF31CZ-104X	C CAPACITOR	0.1uF 16V Z	
C3514	NCB31HK-103X	C CAPACITOR	0.01uF 50V K		C3627	NCF31CZ-104X	C CAPACITOR	0.1uF 16V Z	
C3515	NCB31HK-103X	C CAPACITOR	0.01uF 50V K		C3641	NCF31CZ-104X	C CAPACITOR	0.1uF 16V Z	
C3516	NCB31HK-103X	C CAPACITOR	0.01uF 50V K		C3642	NCF31CZ-104X	C CAPACITOR	0.1uF 16V Z	
C3517	NCB31HK-103X	C CAPACITOR	0.01uF 50V K		C3643	NCF31CZ-104X	C CAPACITOR	0.1uF 16V Z	
C3518	NCB31HK-103X	C CAPACITOR	0.01uF 50V K		C3651	NCF31CZ-104X	C CAPACITOR	0.1uF 16V Z	
C3519	NCB31HK-103X	C CAPACITOR	0.01uF 50V K		C3652	NEA71CM-106X	E CAPACITOR	10uF 16V M	
C3520	NCB31HK-103X	C CAPACITOR	0.01uF 50V K		C3653	NCF31CZ-104X	C CAPACITOR	0.1uF 16V Z	
C3521	NCB31HK-103X	C CAPACITOR	0.01uF 50V K		C3654	NEA71AM-107X	E CAPACITOR	100uF 10V M	
C3522	NCB31HK-103X	C CAPACITOR	0.01uF 50V K		C3661	NCS31HJ-330X	C CAPACITOR	33pF 50V J	
C3531	NEA70JM-107X	E CAPACITOR	100uF 6.3V M		C3662	NCS31HJ-470X	C CAPACITOR	47pF 50V J	
C3532	NCF31CZ-104X	C CAPACITOR	0.1uF 16V Z		C3701	NCS31HJ-101X	C CAPACITOR	100pF 50V J	
C3533	NCB31HK-103X	C CAPACITOR	0.01uF 50V K		C3702	NEA71HM-105X	E CAPACITOR	1uF 50V M	
C3534	NCB31HK-103X	C CAPACITOR	0.01uF 50V K		C3703	NCS31HJ-330X	C CAPACITOR	33pF 50V J	
C3535	NCB31HK-103X	C CAPACITOR	0.01uF 50V K		C3711	NCS31HJ-101X	C CAPACITOR	100pF 50V J	
C3536	NCB31HK-103X	C CAPACITOR	0.01uF 50V K		C3712	NEA71HM-105X	E CAPACITOR	1uF 50V M	
C3537	NCB31HK-103X	C CAPACITOR	0.01uF 50V K		C3713	NCS31HJ-330X	C CAPACITOR	33pF 50V J	
C3538	NCB31HK-103X	C CAPACITOR	0.01uF 50V K		C3721	NCS31HJ-101X	C CAPACITOR	100pF 50V J	
C3539	NCB31HK-103X	C CAPACITOR	0.01uF 50V K		C3722	NEA71HM-105X	E CAPACITOR	1uF 50V M	
C3540	NCB31HK-103X	C CAPACITOR	0.01uF 50V K		C3723	NCS31HJ-330X	C CAPACITOR	33pF 50V J	
C3541	NCB31HK-103X	C CAPACITOR	0.01uF 50V K		C3731	NCF31CZ-104X	C CAPACITOR	0.1uF 16V Z	
C3542	NCB31HK-103X	C CAPACITOR	0.01uF 50V K		C3732	NCF31CZ-104X	C CAPACITOR	0.1uF 16V Z	
C3543	NCB31HK-103X	C CAPACITOR	0.01uF 50V K		C3733	NCF31CZ-104X	C CAPACITOR	0.1uF 16V Z	
C3544	NCB31HK-103X	C CAPACITOR	0.01uF 50V K		C3735	NCF31CZ-104X	C CAPACITOR	0.1uF 16V Z	
C3545	NCB31HK-103X	C CAPACITOR	0.01uF 50V K		C3736	NCF31CZ-104X	C CAPACITOR	0.1uF 16V Z	
C3546	NCB31HK-103X	C CAPACITOR	0.01uF 50V K		C3741	NEA71CM-106X	E CAPACITOR	10uF 16V M	
C3547	NCB31HK-103X	C CAPACITOR	0.01uF 50V K		C3742	NEA71CM-106X	E CAPACITOR	10uF 16V M	
C3548	NCB31HK-103X	C CAPACITOR	0.01uF 50V K		C3743	NCF31CZ-104X	C CAPACITOR	0.1uF 16V Z	
C3549	NCB31HK-103X	C CAPACITOR	0.01uF 50V K		C3744	NCF31CZ-104X	C CAPACITOR	0.1uF 16V Z	
C3550	NCB31HK-103X	C CAPACITOR	0.01uF 50V K		C3745	NCS31HJ-101X	C CAPACITOR	100pF 50V J	
C3551	NCB31HK-103X	C CAPACITOR	0.01uF 50V K		C3751	NEA71CM-106X	E CAPACITOR	10uF 16V M	

△ Symbol No.	Part No.	Part Name	Description	Local	△ Symbol No.	Part No.	Part Name	Description	Local
C3752	NEA71CM-106X	E CAPACITOR	10uF 16V M		C4869	NCS31HJ-330X	C CAPACITOR	33pF 50V J	
C3753	NCF31CZ-104X	C CAPACITOR	0.1uF 16V Z		C4870	NCS31HJ-7R0X	C CAPACITOR	7pF 50V J	
C3754	NCF31CZ-104X	C CAPACITOR	0.1uF 16V Z		C4871	NCS31HJ-680X	C CAPACITOR	68pF 50V J	
C3755	NCF31CZ-104X	C CAPACITOR	0.1uF 16V Z		C4872	NCS31HJ-470X	C CAPACITOR	47pF 50V J	
C3756	NCF31CZ-104X	C CAPACITOR	0.1uF 16V Z		C4873	NCS31HJ-100X	C CAPACITOR	10pF 50V J	
C3757	NCF31CZ-104X	C CAPACITOR	0.1uF 16V Z						
C3758	NCS31HJ-101X	C CAPACITOR	100pF 50V J		R3501	NRSA63J-221X	MG RESISTOR	220Ω 1/16W J	
C3801	NEA70JM-107X	E CAPACITOR	100uF 6.3V M		R3502	NRSA63J-221X	MG RESISTOR	220Ω 1/16W J	
C3802	NCF31CZ-104X	C CAPACITOR	0.1uF 16V Z		R3503	NRSA63J-221X	MG RESISTOR	220Ω 1/16W J	
C3811	NCF31CZ-104X	C CAPACITOR	0.1uF 16V Z		R3504	NRSA63J-221X	MG RESISTOR	220Ω 1/16W J	
C3901	NEA71AM-107X	E CAPACITOR	100uF 10V M		R3505	NRSA63J-221X	MG RESISTOR	220Ω 1/16W J	
C3902	NCF31CZ-104X	C CAPACITOR	0.1uF 16V Z		R3506	NRSA63J-221X	MG RESISTOR	220Ω 1/16W J	
C3903	NCB30JK-105X	C CAPACITOR	1uF 6.3V K		R3507	NRSA63J-221X	MG RESISTOR	220Ω 1/16W J	
C3904	NEA71AM-107X	E CAPACITOR	100uF 10V M		R3511	NRSA63J-470X	MG RESISTOR	47Ω 1/16W J	
C3905	NEA71AM-107X	E CAPACITOR	100uF 10V M		R3512	NRSA63J-470X	MG RESISTOR	47Ω 1/16W J	
C3906	NCF31CZ-104X	C CAPACITOR	0.1uF 16V Z		R3521	NRSA63J-102X	MG RESISTOR	1kΩ 1/16W J	
C3907	NCB30JK-105X	C CAPACITOR	1uF 6.3V K		R3522	NRSA63J-102X	MG RESISTOR	1kΩ 1/16W J	
C3911	NEA71AM-107X	E CAPACITOR	100uF 10V M		R3523	NRSA63J-102X	MG RESISTOR	1kΩ 1/16W J	
C3912	NCF31CZ-104X	C CAPACITOR	0.1uF 16V Z		R3524	NRSA63J-102X	MG RESISTOR	1kΩ 1/16W J	
C3913	NCB30JK-105X	C CAPACITOR	1uF 6.3V K		R3526	NRSA63J-102X	MG RESISTOR	1kΩ 1/16W J	
C3914	NEA71AM-107X	E CAPACITOR	100uF 10V M		R3527	NRSA63J-102X	MG RESISTOR	1kΩ 1/16W J	
C3921	NCS31HJ-101X	C CAPACITOR	100pF 50V J		R3531	NRSA63J-470X	MG RESISTOR	47Ω 1/16W J	
C3922	NCS31HJ-101X	C CAPACITOR	100pF 50V J		R3532	NRSA63J-470X	MG RESISTOR	47Ω 1/16W J	
C3923	NCF31CZ-104X	C CAPACITOR	0.1uF 16V Z		R3533	NRSA63J-470X	MG RESISTOR	47Ω 1/16W J	
C3924	NCF31CZ-104X	C CAPACITOR	0.1uF 16V Z		R3534	NRSA63J-470X	MG RESISTOR	47Ω 1/16W J	
C3931	NEA71AM-107X	E CAPACITOR	100uF 10V M		R3535	NRSA63J-470X	MG RESISTOR	47Ω 1/16W J	
C3932	NCF31CZ-104X	C CAPACITOR	0.1uF 16V Z		R3536	NRSA63J-470X	MG RESISTOR	47Ω 1/16W J	
C3933	NCB30JK-105X	C CAPACITOR	1uF 6.3V K		R3537	NRSA63J-470X	MG RESISTOR	47Ω 1/16W J	
C3934	NEA71AM-107X	E CAPACITOR	100uF 10V M		R3538	NRSA63J-470X	MG RESISTOR	47Ω 1/16W J	
C4801	NCB31HK-103X	C CAPACITOR	0.01uF 50V K		R3539	NRSA63J-470X	MG RESISTOR	47Ω 1/16W J	
C4802	NEA71CM-106X	E CAPACITOR	10uF 16V M		R3541	NRSA63J-101X	MG RESISTOR	100Ω 1/16W J	
C4803	NEA71CM-106X	E CAPACITOR	10uF 16V M		R3563	NRSA63J-102X	MG RESISTOR	1kΩ 1/16W J	
C4804	NCF31CZ-104X	C CAPACITOR	0.1uF 16V Z		R3565	NRSA63J-102X	MG RESISTOR	1kΩ 1/16W J	
C4805	NCB31HK-103X	C CAPACITOR	0.01uF 50V K		R3568	NRSA63J-102X	MG RESISTOR	1kΩ 1/16W J	
C4806	NCB31HK-103X	C CAPACITOR	0.01uF 50V K		R3571	NRSA63J-103X	MG RESISTOR	10kΩ 1/16W J	
C4807	NCB31HK-103X	C CAPACITOR	0.01uF 50V K		R3572	NRSA63J-470X	MG RESISTOR	47Ω 1/16W J	
C4808	NCB31HK-103X	C CAPACITOR	0.01uF 50V K		R3573	NRSA63J-102X	MG RESISTOR	1kΩ 1/16W J	
C4809	NEA71CM-106X	E CAPACITOR	10uF 16V M		R3574	NRSA63J-102X	MG RESISTOR	1kΩ 1/16W J	
C4810	NCB31HK-103X	C CAPACITOR	0.01uF 50V K		R3575	NRSA63J-102X	MG RESISTOR	1kΩ 1/16W J	
C4811	NEA71CM-107X	E CAPACITOR	100uF 16V M		R3581	NRSA63J-103X	MG RESISTOR	10kΩ 1/16W J	
C4812	NCB31HK-103X	C CAPACITOR	0.01uF 50V K		R3591	NRSA63J-0R0X	MG RESISTOR	0Ω 1/16W J	
C4813	NCB31HK-103X	C CAPACITOR	0.01uF 50V K		R3601	NRSA63J-101X	MG RESISTOR	100Ω 1/16W J	
C4814	NCS31HJ-181X	C CAPACITOR	180pF 50V J		R3602	NRSA63J-273X	MG RESISTOR	27kΩ 1/16W J	
C4815	NCB31HK-103X	C CAPACITOR	0.01uF 50V K		R3603	NRSA63J-272X	MG RESISTOR	2.7kΩ 1/16W J	
C4816	NCB31HK-103X	C CAPACITOR	0.01uF 50V K		R3604	NRSA63J-104X	MG RESISTOR	100kΩ 1/16W J	
C4817	NCB31HK-103X	C CAPACITOR	0.01uF 50V K		R3605	NRSA63J-104X	MG RESISTOR	100kΩ 1/16W J	
C4818	NCB31HK-103X	C CAPACITOR	0.01uF 50V K		R3606	NRSA63J-104X	MG RESISTOR	100kΩ 1/16W J	
C4819	NCF31EZ-104X	C CAPACITOR	0.1uF 25V Z		R3607	NRSA63J-104X	MG RESISTOR	100kΩ 1/16W J	
C4820	NEA71CM-106X	E CAPACITOR	10uF 16V M		R3608	NRSA63J-560X	MG RESISTOR	56Ω 1/16W J	
C4821	NEA71CM-107X	E CAPACITOR	100uF 16V M		R3609	NRSA63J-151X	MG RESISTOR	150Ω 1/16W J	
C4822	NCF31CZ-104X	C CAPACITOR	0.1uF 16V Z		R3610	NRSA63J-221X	MG RESISTOR	220Ω 1/16W J	
C4823	NCB31HK-103X	C CAPACITOR	0.01uF 50V K		R3611	NRSA63J-221X	MG RESISTOR	220Ω 1/16W J	
C4824	NCB31HK-103X	C CAPACITOR	0.01uF 50V K		R3612	NRSA63J-221X	MG RESISTOR	220Ω 1/16W J	
C4825	NCS31HJ-680X	C CAPACITOR	68pF 50V J		R3613	NRSA63J-101X	MG RESISTOR	100Ω 1/16W J	
C4826	NCS31HJ-470X	C CAPACITOR	47pF 50V J		R3614	NRSA63J-101X	MG RESISTOR	100Ω 1/16W J	
C4827	NCB31HK-103X	C CAPACITOR	0.01uF 50V K		R3621	NRSA63J-221X	MG RESISTOR	220Ω 1/16W J	
C4828	NEA71HM-474X	E CAPACITOR	0.47uF 50V M		R3623	NRSA63J-221X	MG RESISTOR	220Ω 1/16W J	
C4829	NCF31CZ-104X	C CAPACITOR	0.1uF 16V Z		R3624	NRSA63J-221X	MG RESISTOR	220Ω 1/16W J	
C4830	NEA71CM-226X	E CAPACITOR	22uF 16V M		R3625	NRSA63J-221X	MG RESISTOR	220Ω 1/16W J	
C4831	NCB31CK-333X	C CAPACITOR	0.033uF 16V K		R3626	NRSA63J-221X	MG RESISTOR	220Ω 1/16W J	
C4837	NEA71CM-107X	E CAPACITOR	100uF 16V M		R3631	NRSA63J-221X	MG RESISTOR	220Ω 1/16W J	
C4838	NCB31HK-103X	C CAPACITOR	0.01uF 50V K		R3632	NRSA63J-221X	MG RESISTOR	220Ω 1/16W J	
C4839	NCB31HK-153X	C CAPACITOR	0.015uF 50V K		R3633	NRSA63J-470X	MG RESISTOR	47Ω 1/16W J	
C4840	NEA71HM-475X	E CAPACITOR	4.7uF 50V M		R3634	NRSA63J-470X	MG RESISTOR	47Ω 1/16W J	
C4841	NCB31HK-152X	C CAPACITOR	1500pF 50V K		R3635	NRSA63J-470X	MG RESISTOR	47Ω 1/16W J	
C4842	NCB31HK-221X	C CAPACITOR	220pF 50V K		R3636	NRSA63J-470X	MG RESISTOR	47Ω 1/16W J	
C4843	NEA71HM-104X	E CAPACITOR	0.1uF 50V M		R3643	NRSA63J-221X	MG RESISTOR	220Ω 1/16W J	
C4844	NEA71HM-475X	E CAPACITOR	4.7uF 50V M		R3646	NRSA63J-221X	MG RESISTOR	220Ω 1/16W J	
C4845	NEA71HM-475X	E CAPACITOR	4.7uF 50V M		R3647	NRSA63J-470X	MG RESISTOR	47Ω 1/16W J	
C4852	NEA71CM-107X	E CAPACITOR	100uF 16V M		R3648	NRSA63J-470X	MG RESISTOR	47Ω 1/16W J	
C4853	NEA71HM-105X	E CAPACITOR	1uF 50V M		R3651	NRSA63J-302X	MG RESISTOR	3kΩ 1/16W J	
C4859	NCS31HJ-470X	C CAPACITOR	47pF 50V J		R3652	NRSA63J-102X	MG RESISTOR	1kΩ 1/16W J	
C4860	NCS31HJ-100X	C CAPACITOR	10pF 50V J		R3653	NRSA63J-273X	MG RESISTOR	27kΩ 1/16W J	
C4861	NCS31HJ-120X	C CAPACITOR	12pF 50V J		R3701	NRSA63J-750X	MG RESISTOR	75Ω 1/16W J	
C4862	NCS31HJ-5R0X	C CAPACITOR	5pF 50V J		R3702	NRSA63J-221X	MG RESISTOR	220Ω 1/16W J	
C4863	NCS31HJ-680X	C CAPACITOR	68pF 50V J		R3711	NRSA63J-750X	MG RESISTOR	75Ω 1/16W J	
C4864	NCS31HJ-150X	C CAPACITOR	15pF 50V J		R3712	NRSA63J-221X	MG RESISTOR	220Ω 1/16W J	
C4868	NCS31HJ-680X	C CAPACITOR	68pF 50V J		R3721	NRSA63J-750X	MG RESISTOR	75Ω 1/16W J	

△ Symbol No.	Part No.	Part Name	Description	Local	△ Symbol No.	Part No.	Part Name	Description	Local
R3722	NRSA63J-221X	MG RESISTOR	220Ω 1/16W J		R4852	NRSA63J-561X	MG RESISTOR	560Ω 1/16W J	
R3731	NRSA63J-221X	MG RESISTOR	220Ω 1/16W J		R4853	NRSA63J-122X	MG RESISTOR	1.2kΩ 1/16W J	
R3732	NRSA63J-221X	MG RESISTOR	220Ω 1/16W J		R4855	NRSA63J-472X	MG RESISTOR	4.7kΩ 1/16W J	
R3733	NRSA63J-221X	MG RESISTOR	220Ω 1/16W J		R4856	NRSA63J-561X	MG RESISTOR	560Ω 1/16W J	
R3735	NRSA63J-221X	MG RESISTOR	220Ω 1/16W J		R4857	NRSA63J-472X	MG RESISTOR	4.7kΩ 1/16W J	
R3741	NRSA63F-183X	MG RESISTOR	18kΩ 1/16W F		R4858	NRSA63J-472X	MG RESISTOR	4.7kΩ 1/16W J	
R3742	NRSA63J-100X	MG RESISTOR	10Ω 1/16W J		L481	NQL085J-100X	COIL	3.50Ω 10uH J	
R3743	NRSA63J-221X	MG RESISTOR	220Ω 1/16W J		L482	NQL085J-100X	COIL	3.50Ω 10uH J	
R3744	NRSA63J-221X	MG RESISTOR	220Ω 1/16W J		L483	NQL085J-100X	COIL	3.50Ω 10uH J	
R3745	NRSA63J-221X	MG RESISTOR	220Ω 1/16W J		L484	NQL085J-100X	COIL	3.50Ω 10uH J	
R3746	NRSA63J-221X	MG RESISTOR	220Ω 1/16W J		L485	NQL085J-100X	COIL	3.50Ω 10uH J	
R3751	NRSA63J-101X	MG RESISTOR	100Ω 1/16W J		L486	NQL085J-100X	COIL	3.50Ω 10uH J	
R3752	NRSA63J-221X	MG RESISTOR	220Ω 1/16W J		L487	NQL085J-150X	COIL	15uH J	
R3753	NRSA63J-221X	MG RESISTOR	220Ω 1/16W J		L488	NQL085J-220X	COIL	5.50Ω 22uH J	
R3754	NRSA63J-221X	MG RESISTOR	220Ω 1/16W J		L489	NQL085J-6R8X	COIL	6.8uH J	
R3755	NRSA63J-221X	MG RESISTOR	220Ω 1/16W J		L490	NQL085J-270X	COIL	27uH J	
R3756	NRSA63J-221X	MG RESISTOR	220Ω 1/16W J		L3601	NQL025J-R39X	P COIL	0.39uH J	
R3757	NRSA63J-221X	MG RESISTOR	220Ω 1/16W J		CN481	QGB1224J1-13	CONNECTOR	B-B (1-13)	
R3758	NRSA63J-221X	MG RESISTOR	220Ω 1/16W J		CN482	QGB1224J1-15	CONNECTOR	B-B (1-15)	
R3801	NRSA63J-105X	MG RESISTOR	1MΩ 1/16W J		CN634	QGF1205F1-06	CONNECTOR	FFC/FPC (1-6)	
R3802	NRSA63J-103X	MG RESISTOR	10kΩ 1/16W J		CN635	QGB2510K1-07	CONNECTOR	B-B (1-7)	
R3803	NRSA63J-103X	MG RESISTOR	10kΩ 1/16W J		CN641	QGB1220M1-21	CONNECTOR	B-B (1-21)	
R3804	NRSA63J-103X	MG RESISTOR	10kΩ 1/16W J		CN642	QGF1016C1-21	CONNECTOR	FFC/FPC (1-21)	
R3805	NRSA63J-103X	MG RESISTOR	10kΩ 1/16W J		EP710	E409182-001SM	GRAND TERMINAL		
R3806	NRSA63J-103X	MG RESISTOR	10kΩ 1/16W J		J3701	QNN0512-001	SURROUND JACK		
R3807	NRSA63J-103X	MG RESISTOR	10kΩ 1/16W J		K3501	NQR0229-001X	FERRITE BEADS		
R3811	NRSA63J-101X	MG RESISTOR	100Ω 1/16W J		K3502	NQR0229-001X	FERRITE BEADS		
R3812	NRSA63J-221X	MG RESISTOR	220Ω 1/16W J		K3661	NQR0269-013X	FERRITE BEADS		
R3813	NRSA63J-221X	MG RESISTOR	220Ω 1/16W J		K3701	NQR0269-004X	FERRITE BEADS		
R3814	NRSA63J-221X	MG RESISTOR	220Ω 1/16W J		K3711	NQR0269-004X	FERRITE BEADS		
R3815	NRSA63J-470X	MG RESISTOR	47Ω 1/16W J		K3721	NQR0269-004X	FERRITE BEADS		
R3816	NRSA63J-470X	MG RESISTOR	47Ω 1/16W J		LC661	NQR0450-001X	EMI FILTER	0.022uF 50V M	
R3817	NRSA63J-470X	MG RESISTOR	47Ω 1/16W J		LC662	NQR0450-001X	EMI FILTER	0.022uF 50V M	
R3818	NRSA63J-470X	MG RESISTOR	47Ω 1/16W J		LC663	NQR0450-001X	EMI FILTER	0.022uF 50V M	
R3921	NRSA63J-512X	MG RESISTOR	5.1kΩ 1/16W J		LC664	NQR0345-001X	FERRITE BEADS		
R3922	NRSA63J-512X	MG RESISTOR	5.1kΩ 1/16W J		LC671	NQR0450-001X	EMI FILTER	0.022uF 50V M	
R3923	NRSA63J-221X	MG RESISTOR	220Ω 1/16W J		LC673	NQR0450-001X	EMI FILTER	0.022uF 50V M	
R3924	NRSA63J-512X	MG RESISTOR	5.1kΩ 1/16W J		LC691	NQR0450-001X	EMI FILTER	0.022uF 50V M	
R3925	NRSA63J-221X	MG RESISTOR	220Ω 1/16W J		LC801	NQR0450-001X	EMI FILTER	0.022uF 50V M	
R3926	NRSA63J-103X	MG RESISTOR	10kΩ 1/16W J		UN631	GP1FA351RZ	OPT RECEIVER	Fiber optic receiver	
R3927	NRSA63J-103X	MG RESISTOR	10kΩ 1/16W J		UN632	GP1FA351RZ	OPT RECEIVER	Fiber optic receiver	
R3928	NRSA63J-103X	MG RESISTOR	10kΩ 1/16W J		UN633	GP1FA351RZ	OPT RECEIVER	Fiber optic receiver	
R3929	NRSA63J-103X	MG RESISTOR	10kΩ 1/16W J		UN635	GP1FA351TZ	OPT TRANSMITTER		
R4801	NRSA63J-821X	MG RESISTOR	820Ω 1/16W J		WR636	QJP001-035801	SIN CR C-B WIRE		
R4802	NRSA63J-103X	MG RESISTOR	10kΩ 1/16W J		X482	QAX0687-001	C RESONATOR	503.50kHz	
R4803	NRSA63J-103X	MG RESISTOR	10kΩ 1/16W J		X483	QAX0260-001Z	CRYSTAL	14.31818MHz	
R4804	NRSA63J-822X	MG RESISTOR	8.2kΩ 1/16W J		X3571	NAX0572-001X	CXO		
R4805	NRSA63J-123X	MG RESISTOR	12kΩ 1/16W J		X3801	NAX0427-001X	C RESONATOR		
R4811	NRSA63J-681X	MG RESISTOR	680Ω 1/16W J						
R4812	NRSA63J-105X	MG RESISTOR	1MΩ 1/16W J						
R4813	NRSA63J-102X	MG RESISTOR	1kΩ 1/16W J						
R4816	NRSA63J-822X	MG RESISTOR	8.2kΩ 1/16W J						
R4817	NRSA63J-272X	MG RESISTOR	2.7kΩ 1/16W J						
R4818	NRSA63J-271X	MG RESISTOR	270Ω 1/16W J						
R4819	NRSA63J-222X	MG RESISTOR	2.2kΩ 1/16W J						
R4820	NRSA63J-152X	MG RESISTOR	1.5kΩ 1/16W J						
R4821	NRSA63J-104X	MG RESISTOR	100kΩ 1/16W J						
R4822	NRSA63J-221X	MG RESISTOR	220Ω 1/16W J						
R4823	NRSA63J-104X	MG RESISTOR	100kΩ 1/16W J						
R4824	NRSA63J-221X	MG RESISTOR	220Ω 1/16W J						
R4825	NRSA63J-104X	MG RESISTOR	100kΩ 1/16W J						
R4831	NRSA63J-153X	MG RESISTOR	15kΩ 1/16W J						
R4832	NRSA63J-333X	MG RESISTOR	33kΩ 1/16W J						
R4833	NRSA63J-102X	MG RESISTOR	1kΩ 1/16W J						
R4834	NRSA63J-182X	MG RESISTOR	1.8kΩ 1/16W J						
R4835	NRSA63J-361X	MG RESISTOR	360Ω 1/16W J						
R4836	NRSA63J-182X	MG RESISTOR	1.8kΩ 1/16W J						
R4837	NRSA63J-101X	MG RESISTOR	100Ω 1/16W J						
R4838	NRSA63J-333X	MG RESISTOR	33kΩ 1/16W J						
R4839	NRSA63J-273X	MG RESISTOR	27kΩ 1/16W J						
R4840	NRSA63J-102X	MG RESISTOR	1kΩ 1/16W J						
R4841	NRSA63J-102X	MG RESISTOR	1kΩ 1/16W J						
R4842	NRSA63J-511X	MG RESISTOR	510Ω 1/16W J						
R4843	NRSA63J-101X	MG RESISTOR	100Ω 1/16W J						
R4844	NRSA63J-391X	MG RESISTOR	390Ω 1/16W J						
R4847	NRSA63J-0R0X	MG RESISTOR	0Ω 1/16W J						
R4848	NRSA63J-0R0X	MG RESISTOR	0Ω 1/16W J						
R4851	NRSA63J-0R0X	MG RESISTOR	0Ω 1/16W J						

### Exit 7.1ch input board

Block No. [0][6][0][0]

△ Symbol No.	Part No.	Part Name	Description	Local
IC701	NJM5532D-D	IC	Low-noise Dual Operational Amplifier	
IC702	NJM5532D-D	IC	Low-noise Dual Operational Amplifier	
IC703	NJM5532D-D	IC	Low-noise Dual Operational Amplifier	
IC704	NJM5532D-D	IC	Low-noise Dual Operational Amplifier	
Q7091	2SC3422/OY/	TRANSISTOR		
Q7092	2SC3422/OY/	TRANSISTOR		
Q7093	2SC3422/OY/	TRANSISTOR		
Q7094	2SC3422/OY/	TRANSISTOR		
Q7095	2SC3422/OY/	TRANSISTOR		
Q7096	2SC3422/OY/	TRANSISTOR		

△ Symbol No.	Part No.	Part Name	Description	Local	△ Symbol No.	Part No.	Part Name	Description	Local
Q7097	2SC3422/OY/	TRANSISTOR			R7737	QRV12DF-1000	CMF RESISTOR	100Ω 1/2W F	
C7191	QDVB1EZ-103Y	C CAPACITOR	0.01uF 25V Z		R7738	QRV12DF-1000	CMF RESISTOR	100Ω 1/2W F	
C7192	QDVB1EZ-103Y	C CAPACITOR	0.01uF 25V Z		R7739	QRV12DF-1000	CMF RESISTOR	100Ω 1/2W F	
C7193	QDVB1EZ-103Y	C CAPACITOR	0.01uF 25V Z		R7740	QRV12DF-1000	CMF RESISTOR	100Ω 1/2W F	
C7194	QDVB1EZ-103Y	C CAPACITOR	0.01uF 25V Z		R7751	QRZ9005-470X	FUSI RESISTOR	47Ω 1/4W G	
C7195	QDVB1EZ-103Y	C CAPACITOR	0.01uF 25V Z		R7752	QRZ9005-470X	FUSI RESISTOR	47Ω 1/4W G	
C7196	QDVB1EZ-103Y	C CAPACITOR	0.01uF 25V Z		R7753	QRZ9005-470X	FUSI RESISTOR	47Ω 1/4W G	
C7197	QDVB1EZ-103Y	C CAPACITOR	0.01uF 25V Z		R7754	QRZ9005-470X	FUSI RESISTOR	47Ω 1/4W G	
C7701	QCBB1HK-223Y	C CAPACITOR	0.022uF 50V K		R7755	QRZ9005-470X	FUSI RESISTOR	47Ω 1/4W G	
C7702	QCBB1HK-223Y	C CAPACITOR	0.022uF 50V K		R7756	QRZ9005-470X	FUSI RESISTOR	47Ω 1/4W G	
C7703	QCBB1HK-223Y	C CAPACITOR	0.022uF 50V K		R7757	QRZ9005-470X	FUSI RESISTOR	47Ω 1/4W G	
C7704	QCBB1HK-223Y	C CAPACITOR	0.022uF 50V K		R7758	QRZ9005-470X	FUSI RESISTOR	47Ω 1/4W G	
C7705	QCBB1HK-223Y	C CAPACITOR	0.022uF 50V K		L7701	QQL231K-101Y	COIL	100uH K	
C7706	QCBB1HK-223Y	C CAPACITOR	0.022uF 50V K		L7702	QQL231K-101Y	COIL	100uH K	
C7707	QCBB1HK-223Y	C CAPACITOR	0.022uF 50V K		CN731	QGA2501F1-03	CONNECTOR	W-B (1-3)	
C7708	QCBB1HK-223Y	C CAPACITOR	0.022uF 50V K		CN732	QGA2501F1-03	CONNECTOR	W-B (1-3)	
C7709	QCBB1HK-561Y	C CAPACITOR	560pF 50V K		CN733	QGA2501F1-03	CONNECTOR	W-B (1-3)	
C7710	QCBB1HK-561Y	C CAPACITOR	560pF 50V K		CN734	QGA2501F1-03	CONNECTOR	W-B (1-3)	
C7711	QCBB1HK-561Y	C CAPACITOR	560pF 50V K		CN735	QGA2501F1-03	CONNECTOR	W-B (1-3)	
C7712	QCBB1HK-561Y	C CAPACITOR	560pF 50V K		CN736	QGA2501F1-03	CONNECTOR	W-B (1-3)	
C7713	QCBB1HK-561Y	C CAPACITOR	560pF 50V K		CN737	QGA2501F1-03	CONNECTOR	W-B (1-3)	
C7714	QCBB1HK-561Y	C CAPACITOR	560pF 50V K		FS701	VYSH101-009	SPACER		
C7715	QCBB1HK-561Y	C CAPACITOR	560pF 50V K		FS702	VYSH101-009	SPACER		
C7716	QCBB1HK-561Y	C CAPACITOR	560pF 50V K		J701	QNN0510-001	PIN JACK 6PIN		
C7733	QCSB1HJ-100Y	C CAPACITOR	10pF 50V J		J702	QNN0511-001	SURROUND JACK		
C7734	QCSB1HJ-100Y	C CAPACITOR	10pF 50V J		WR700	QJK016-143504	14P PLUG ASSY		
C7735	QCSB1HJ-100Y	C CAPACITOR	10pF 50V J						
C7736	QCSB1HJ-100Y	C CAPACITOR	10pF 50V J						
C7737	QCSB1HJ-100Y	C CAPACITOR	10pF 50V J						
C7738	QCSB1HJ-100Y	C CAPACITOR	10pF 50V J						
C7739	QCSB1HJ-100Y	C CAPACITOR	10pF 50V J						
C7740	QCSB1HJ-100Y	C CAPACITOR	10pF 50V J						
C7751	QEZO630-476	E.CAPA AWF	47uF						
C7752	QEZO630-476	E.CAPA AWF	47uF						
C7753	QEZO630-476	E.CAPA AWF	47uF						
C7754	QEZO630-476	E.CAPA AWF	47uF						
C7755	QEZO630-476	E.CAPA AWF	47uF						
C7756	QEZO630-476	E.CAPA AWF	47uF						
C7757	QEZO630-476	E.CAPA AWF	47uF						
C7758	QEZO630-476	E.CAPA AWF	47uF						
R7701	QRV12DF-1002	CMF RESISTOR	10kΩ 1/2W F						
R7702	QRV12DF-1002	CMF RESISTOR	10kΩ 1/2W F						
R7703	QRV12DF-1002	CMF RESISTOR	10kΩ 1/2W F						
R7704	QRV12DF-1002	CMF RESISTOR	10kΩ 1/2W F						
R7705	QRV12DF-1002	CMF RESISTOR	10kΩ 1/2W F						
R7706	QRV12DF-1002	CMF RESISTOR	10kΩ 1/2W F						
R7707	QRV12DF-1002	CMF RESISTOR	10kΩ 1/2W F						
R7708	QRV12DF-1002	CMF RESISTOR	10kΩ 1/2W F						
R7709	QRV12DF-1002	CMF RESISTOR	10kΩ 1/2W F						
R7710	QRV12DF-1002	CMF RESISTOR	10kΩ 1/2W F						
R7711	QRV12DF-1002	CMF RESISTOR	10kΩ 1/2W F						
R7712	QRV12DF-1002	CMF RESISTOR	10kΩ 1/2W F						
R7713	QRV12DF-1002	CMF RESISTOR	10kΩ 1/2W F						
R7714	QRV12DF-1002	CMF RESISTOR	10kΩ 1/2W F						
R7715	QRV12DF-1002	CMF RESISTOR	10kΩ 1/2W F						
R7716	QRV12DF-1002	CMF RESISTOR	10kΩ 1/2W F						
R7717	QRV12DF-1002	CMF RESISTOR	10kΩ 1/2W F						
R7718	QRV12DF-1002	CMF RESISTOR	10kΩ 1/2W F						
R7719	QRV12DF-1002	CMF RESISTOR	10kΩ 1/2W F						
R7720	QRV12DF-1002	CMF RESISTOR	10kΩ 1/2W F						
R7721	QRV12DF-1002	CMF RESISTOR	10kΩ 1/2W F						
R7722	QRV12DF-1002	CMF RESISTOR	10kΩ 1/2W F						
R7723	QRV12DF-1002	CMF RESISTOR	10kΩ 1/2W F						
R7724	QRV12DF-1002	CMF RESISTOR	10kΩ 1/2W F						
R7725	QRV12DF-1002	CMF RESISTOR	10kΩ 1/2W F						
R7726	QRV12DF-1002	CMF RESISTOR	10kΩ 1/2W F						
R7727	QRV12DF-1002	CMF RESISTOR	10kΩ 1/2W F						
R7728	QRV12DF-1002	CMF RESISTOR	10kΩ 1/2W F						
R7729	QRV12DF-1002	CMF RESISTOR	10kΩ 1/2W F						
R7730	QRV12DF-1002	CMF RESISTOR	10kΩ 1/2W F						
R7731	QRV12DF-1002	CMF RESISTOR	10kΩ 1/2W F						
R7732	QRV12DF-1002	CMF RESISTOR	10kΩ 1/2W F						
R7733	QRV12DF-1000	CMF RESISTOR	100Ω 1/2W F						
R7734	QRV12DF-1000	CMF RESISTOR	100Ω 1/2W F						
R7735	QRV12DF-1000	CMF RESISTOR	100Ω 1/2W F						
R7736	QRV12DF-1000	CMF RESISTOR	100Ω 1/2W F						

## Audio board

Block No. [0][7][0][0]

△ Symbol No.	Part No.	Part Name	Description	Local
IC501	TC74HC238AF-X	IC	3-to-8 Line Decoder	
IC502	UPC1830GT-XE	IC	Video/Chroma sync signal processing LSI	
IC503	NJM2580M-X	IC	Video amp	
IC561	TC74HC4053AF-X	IC	Multiplexer	
IC562	TC74HC4053AF-X	IC	Multiplexer	
IC631	NJM5532M-D-XE	IC	Low-noise Dual Operational Amplifier	
IC632	NJM5532M-D-XE	IC	Low-noise Dual Operational Amplifier	
IC633	NJM5532M-D-XE	IC	Low-noise Dual Operational Amplifier	
IC634	MN35505-X	IC	DA Converter	
IC635	JCV8006	IC	CC converter	
IC636	NJM4580E-W	IC	Dual Ope amp	
IC637	NJM5532M-D-XE	IC	Low-noise Dual Operational Amplifier	
IC638	NJM5532M-D-XE	IC	Low-noise Dual Operational Amplifier	
IC639	MN35505-X	IC	DA Converter	
IC640	JCV8006	IC	CC converter	
IC641	NJM4580E-W	IC	Dual Ope amp	
IC642	NJM4580E-W	IC	Dual Ope amp	
IC643	NJM5532M-D-XE	IC	Low-noise Dual Operational Amplifier	
IC644	MN35505-X	IC	DA Converter	
IC645	JCV8006	IC	CC converter	
IC646	NJM4580E-W	IC	Dual Ope amp	
IC647	NJM4580E-W	IC	Dual Ope amp	
IC648	NJM5532M-D-XE	IC	Low-noise Dual Operational Amplifier	
IC649	MN35505-X	IC	DA Converter	
IC650	JCV8006	IC	CC converter	



△ Symbol No.	Part No.	Part Name	Description	Local	△ Symbol No.	Part No.	Part Name	Description	Local
IC651	SN74LV157APW-X	IC	Data selector / Multiplexers		C506	QETN1AM-227Z	E CAPACITOR	220uF 10V M	
IC654	NJM2121M-X	IC	Op amp.		C507	QETN1AM-227Z	E CAPACITOR	220uF 10V M	
IC655	NJM4580E-W	IC	Dual Ope amp		C508	QETN1AM-477Z	E CAPACITOR	470uF 10V M	
IC656	NJM4580E-W	IC	Dual Ope amp		C509	QETN1AM-107Z	E CAPACITOR	100uF 10V M	
IC657	CS5361-KS-X	IC	Multi-bit audio A/D converter		C510	QETN1EM-476Z	E CAPACITOR	47uF 25V M	
IC658	CS5333-KZ-X	IC	24-bit stereo audio A/D converter		C511	NCF21CZ-104X	C CAPACITOR	0.1uF 16V Z	
IC659	CS5333-KZ-X	IC	24-bit stereo audio A/D converter		C512	NCF21CZ-104X	C CAPACITOR	0.1uF 16V Z	
IC660	SN74LVC1GU04K-X	IC	Inverter		C513	NCF21CZ-104X	C CAPACITOR	0.1uF 16V Z	
IC686	NJM4580E-W	IC	Dual Ope amp		C561	NCF31HZ-473X	C CAPACITOR	0.047uF 50V Z	
IC687	NJM5532M-D-XE	IC	Low-noise Dual Operational Amplifier		C562	NCF31HZ-473X	C CAPACITOR	0.047uF 50V Z	
IC694	BA033FP-X	IC	Regulator		C563	NCF31HZ-473X	C CAPACITOR	0.047uF 50V Z	
IC695	BA033FP-X	IC	Regulator		C564	NCF31HZ-473X	C CAPACITOR	0.047uF 50V Z	
IC696	BA033FP-X	IC	Regulator		C565	NCF31HZ-473X	C CAPACITOR	0.047uF 50V Z	
Q501	KRC105M-T	DIGI TRANSISTOR			C566	NCF31HZ-473X	C CAPACITOR	0.047uF 50V Z	
Q502	KRC105M-T	DIGI TRANSISTOR			C567	NCF31HZ-473X	C CAPACITOR	0.047uF 50V Z	
Q503	KRC105M-T	DIGI TRANSISTOR			C568	NCF31HZ-473X	C CAPACITOR	0.047uF 50V Z	
Q504	KRC105M-T	DIGI TRANSISTOR			C569	NCF31HZ-473X	C CAPACITOR	0.047uF 50V Z	
Q505	KRC105M-T	DIGI TRANSISTOR			C570	NCF31HZ-473X	C CAPACITOR	0.047uF 50V Z	
Q506	KRC105M-T	DIGI TRANSISTOR			C571	NCF31HZ-473X	C CAPACITOR	0.047uF 50V Z	
Q507	2SA1037AK/RS/-X	TRANSISTOR			C572	NCF31HZ-473X	C CAPACITOR	0.047uF 50V Z	
Q561	KRC105M-T	DIGI TRANSISTOR			C573	NCB31HK-103X	C CAPACITOR	0.01uF 50V K	
Q562	KRC105M-T	DIGI TRANSISTOR			C574	NCB31HK-103X	C CAPACITOR	0.01uF 50V K	
Q563	2SC2412K/RS/-X	TRANSISTOR			C575	QETN1CM-476Z	E CAPACITOR	47uF 16V M	
Q564	2SA1037AK/RS/-X	TRANSISTOR			C576	QETN1CM-476Z	E CAPACITOR	47uF 16V M	
Q565	2SC2412K/RS/-X	TRANSISTOR			C1501	NCS31HJ-681X	C CAPACITOR	680pF 50V J	
Q566	2SA1037AK/RS/-X	TRANSISTOR			C1502	NCS31HJ-561X	C CAPACITOR	560pF 50V J	
Q567	2SC2412K/RS/-X	TRANSISTOR			C1503	NCB31HK-472X	C CAPACITOR	4700pF 50V K	
Q568	2SA1037AK/RS/-X	TRANSISTOR			C1504	QETN1HM-225Z	E CAPACITOR	2.2uF 50V M	
Q3105	DTA114YE-X	TRANSISTOR			C1505	NCF21CZ-104X	C CAPACITOR	0.1uF 16V Z	
Q3107	2SD1328/ST/-X	TRANSISTOR			C1506	QETN1EM-226Z	E CAPACITOR	22uF 25V M	
Q3108	2SD1328/ST/-X	TRANSISTOR			C1507	NCF21CZ-104X	C CAPACITOR	0.1uF 16V Z	
Q3161	2SC2412K/RS/-X	TRANSISTOR			C1508	QETN1EM-226Z	E CAPACITOR	22uF 25V M	
Q3162	2SC2412K/RS/-X	TRANSISTOR			C1509	NCF21CZ-104X	C CAPACITOR	0.1uF 16V Z	
Q3163	DTA114YE-X	TRANSISTOR			C1510	NCF21CZ-104X	C CAPACITOR	0.1uF 16V Z	
Q3203	2SC2412K/RS/-X	TRANSISTOR			C1511	NCF21CZ-104X	C CAPACITOR	0.1uF 16V Z	
Q3207	2SD1328/ST/-X	TRANSISTOR			C1512	QETN1HM-105Z	E CAPACITOR	1uF 50V M	
Q3208	2SD1328/ST/-X	TRANSISTOR			C1513	NCF21CZ-104X	C CAPACITOR	0.1uF 16V Z	
Q3261	2SC2412K/RS/-X	TRANSISTOR			C1514	NCF21CZ-104X	C CAPACITOR	0.1uF 16V Z	
Q3263	DTA114YE-X	TRANSISTOR			C1515	NCF31AZ-105X	C CAPACITOR	1uF 10V Z	
Q3265	DTA114YE-X	TRANSISTOR			C1516	NCF21CZ-104X	C CAPACITOR	0.1uF 16V Z	
Q3266	2SD1328/ST/-X	TRANSISTOR			C1517	QETN1CM-226Z	E CAPACITOR	22uF 16V M	
Q3291	DTC114YE-X	TRANSISTOR			C1518	NCF21CZ-104X	C CAPACITOR	0.1uF 16V Z	
Q3301	DTA114YE-X	TRANSISTOR			C1519	QETN1HM-105Z	E CAPACITOR	1uF 50V M	
Q3303	2SC2412K/RS/-X	TRANSISTOR			C1520	QETN1EM-475Z	E CAPACITOR	4.7uF 25V M	
Q3304	2SC2412K/RS/-X	TRANSISTOR			C1521	QETN1HM-104Z	E CAPACITOR	0.1uF 50V M	
Q3307	2SD1328/ST/-X	TRANSISTOR			C1522	NCF21HZ-103X	C CAPACITOR	0.01uF 50V Z	
Q3308	2SD1328/ST/-X	TRANSISTOR			C1523	NCS31HJ-100X	C CAPACITOR	10pF 50V J	
Q3361	2SC2412K/RS/-X	TRANSISTOR			C1524	NCS31HJ-100X	C CAPACITOR	10pF 50V J	
Q3362	2SC2412K/RS/-X	TRANSISTOR			C1525	NCF21EZ-224X	C CAPACITOR	0.22uF 25V Z	
Q3363	DTA114YE-X	TRANSISTOR			C1526	QETN1HM-225Z	E CAPACITOR	2.2uF 50V M	
Q3403	2SC2412K/RS/-X	TRANSISTOR			C1527	NCS31HJ-331X	C CAPACITOR	330pF 50V J	
Q3404	2SC2412K/RS/-X	TRANSISTOR			C3001	QTE1H44-226Z	E CAPACITOR	22uF 50V	
Q3407	2SD1328/ST/-X	TRANSISTOR			C3002	QTE1H44-226Z	E CAPACITOR	22uF 50V	
Q3408	2SD1328/ST/-X	TRANSISTOR			C3003	NCS31HJ-181X	C CAPACITOR	180pF 50V J	
Q3461	2SC2412K/RS/-X	TRANSISTOR			C3004	NCS31HJ-181X	C CAPACITOR	180pF 50V J	
Q3462	2SC2412K/RS/-X	TRANSISTOR			C3005	NCS31HJ-100X	C CAPACITOR	10pF 50V J	
Q3463	DTA114YE-X	TRANSISTOR			C3006	NCS31HJ-100X	C CAPACITOR	10pF 50V J	
D501	1SS355-X	SI DIODE			C3007	NCS31HJ-102X	C CAPACITOR	1000pF 50V J	
D502	1SS355-X	SI DIODE			C3008	NCS31HJ-102X	C CAPACITOR	1000pF 50V J	
D503	1SS355-X	SI DIODE			C3009	QEZO538-476Z	C CAPACITOR	47uF	
D504	1SS355-X	SI DIODE			C3010	QEZO538-476Z	C CAPACITOR	47uF	
D505	1SS355-X	SI DIODE			C3011	NCB31HK-223X	C CAPACITOR	0.022uF 50V K	
D506	1SS355-X	SI DIODE			C3012	NCB31HK-223X	C CAPACITOR	0.022uF 50V K	
D561	1SS355-X	SI DIODE			C3021	QEZO538-106Z	E CAPACITOR	10uF	
D562	1SS355-X	SI DIODE			C3022	NCB31CK-104X	C CAPACITOR	0.1uF 16V K	
C501	QETN1CM-476Z	E CAPACITOR	47uF 16V M		C3023	QETN1HM-105Z	E CAPACITOR	1uF 50V M	
C502	NCB31HK-103X	C CAPACITOR	0.01uF 50V K		C3024	NCB31CK-104X	C CAPACITOR	0.1uF 16V K	
C503	QETN1HM-104Z	E CAPACITOR	0.1uF 50V M		C3025	QETN1HM-105Z	E CAPACITOR	1uF 50V M	
C504	QETN1HM-225Z	E CAPACITOR	2.2uF 50V M		C3026	NCB31CK-104X	C CAPACITOR	0.1uF 16V K	
C505	QETN1HM-225Z	E CAPACITOR	2.2uF 50V M		C3027	QETN1AM-227Z	E CAPACITOR	220uF 10V M	
					C3028	NCB31CK-104X	C CAPACITOR	0.1uF 16V K	
					C3029	QETN1HM-106Z	E CAPACITOR	10uF 50V M	
					C3030	NCB31CK-104X	C CAPACITOR	0.1uF 16V K	
					C3031	QTE1H44-226Z	E CAPACITOR	22uF 50V	
					C3032	QTE1H44-226Z	E CAPACITOR	22uF 50V	
					C3033	NCB31HK-103X	C CAPACITOR	0.01uF 50V K	
					C3034	NCB31HK-103X	C CAPACITOR	0.01uF 50V K	
					C3035	QETN1HM-105Z	E CAPACITOR	1uF 50V M	

△ Symbol No.	Part No.	Part Name	Description	Local	△ Symbol No.	Part No.	Part Name	Description	Local
C3036	NCB31CK-104X	C CAPACITOR	0.1uF 16V K		C3251	QEZO629-107	E.CAPA AWF	100uF	
C3037	QETN1HM-105Z	E CAPACITOR	1uF 50V M		C3252	QEZO629-107	E.CAPA AWF	100uF	
C3038	NCB31CK-104X	C CAPACITOR	0.1uF 16V K		C3253	QEZO538-476Z	C CAPACITOR	47uF	
C3039	QETN1HM-105Z	E CAPACITOR	1uF 50V M		C3255	QEZO538-476Z	C CAPACITOR	47uF	
C3040	NCB31CK-104X	C CAPACITOR	0.1uF 16V K		C3261	NCF31CZ-104X	C CAPACITOR	0.1uF 16V Z	
C3041	QETN1HM-105Z	E CAPACITOR	1uF 50V M		C3262	NCF31CZ-104X	C CAPACITOR	0.1uF 16V Z	
C3042	NCB31CK-104X	C CAPACITOR	0.1uF 16V K		C3263	NCS31HJ-330X	C CAPACITOR	33pF 50V J	
C3051	QTE1H44-226Z	E CAPACITOR	22uF 50V		C3265	QFVJ1HJ-105Z	MF CAPACITOR	1uF 50V J	
C3052	QTE1H44-226Z	E CAPACITOR	22uF 50V		C3266	QFVC1HJ-224Z	MF CAPACITOR	0.22uF 50V J	
C3053	NCB31HK-103X	C CAPACITOR	0.01uF 50V K		C3267	QFVJ1HJ-474Z	MF CAPACITOR	0.47uF 50V J	
C3054	NCB31HK-103X	C CAPACITOR	0.01uF 50V K		C3271	NCS31HJ-101X	C CAPACITOR	100pF 50V J	
C3055	QETN1HM-105Z	E CAPACITOR	1uF 50V M		C3272	NCB31HK-103X	C CAPACITOR	0.01uF 50V K	
C3056	NCB31CK-104X	C CAPACITOR	0.1uF 16V K		C3273	NCB31HK-103X	C CAPACITOR	0.01uF 50V K	
C3057	QETN1HM-105Z	E CAPACITOR	1uF 50V M		C3274	NCB31HK-103X	C CAPACITOR	0.01uF 50V K	
C3058	NCB31CK-104X	C CAPACITOR	0.1uF 16V K		C3275	NCB31HK-103X	C CAPACITOR	0.01uF 50V K	
C3059	QETN1HM-105Z	E CAPACITOR	1uF 50V M		C3279	NCF21CZ-155X	C CAPACITOR	1.5uF 16V Z	
C3060	NCB31CK-104X	C CAPACITOR	0.1uF 16V K		C3281	QEZO636-128	E CAPACITOR	1200uF	
C3061	QETN1HM-105Z	E CAPACITOR	1uF 50V M		C3282	QEZO636-128	E CAPACITOR	1200uF	
C3062	NCB31CK-104X	C CAPACITOR	0.1uF 16V K		C3283	NCF21CZ-155X	C CAPACITOR	1.5uF 16V Z	
C3071	NCS31HJ-101X	C CAPACITOR	100pF 50V J		C3284	NCF21CZ-155X	C CAPACITOR	1.5uF 16V Z	
C3072	NCS31HJ-101X	C CAPACITOR	100pF 50V J		C3285	NCB31AK-224X	C CAPACITOR	0.22uF 10V K	
C3073	NCB31CK-104X	C CAPACITOR	0.1uF 16V K		C3286	NCB31HK-103X	C CAPACITOR	0.01uF 50V K	
C3101	QFLC1HJ-182Z	M CAPACITOR	1800pF 50V J		C3287	QEZO555-227Z	E.CAPA.PW	220uF	
C3102	QFLC1HJ-182Z	M CAPACITOR	1800pF 50V J		C3288	NCF21CZ-155X	C CAPACITOR	1.5uF 16V Z	
C3111	QFN31HJ-181Z	M CAPACITOR	180pF 50V J		C3289	NCB30JK-105X	C CAPACITOR	1uF 6.3V K	
C3112	QFN31HJ-181Z	M CAPACITOR	180pF 50V J		C3292	NCF31CZ-104X	C CAPACITOR	0.1uF 16V Z	
C3113	QFLC1HJ-683Z	M CAPACITOR	0.068uF 50V J		C3293	NCF31CZ-104X	C CAPACITOR	0.1uF 16V Z	
C3114	QFLC1HJ-683Z	M CAPACITOR	0.068uF 50V J		C3297	NEA70JM-107X	E CAPACITOR	100uF 6.3V M	
C3115	QTE1H44-226Z	E CAPACITOR	22uF 50V		C3298	NCF31CZ-104X	C CAPACITOR	0.1uF 16V Z	
C3116	QTE1H44-226Z	E CAPACITOR	22uF 50V		C3301	QFLC1HJ-182Z	M CAPACITOR	1800pF 50V J	
C3121	QFLC1HJ-103Z	M CAPACITOR	0.01uF 50V J		C3302	QFLC1HJ-182Z	M CAPACITOR	1800pF 50V J	
C3122	QFLC1HJ-103Z	M CAPACITOR	0.01uF 50V J		C3311	QFN31HJ-181Z	M CAPACITOR	180pF 50V J	
C3123	QFN31HJ-102Z	M CAPACITOR	1000pF 50V J		C3312	QFN31HJ-181Z	M CAPACITOR	180pF 50V J	
C3124	QFN31HJ-102Z	M CAPACITOR	1000pF 50V J		C3313	QFLC1HJ-683Z	M CAPACITOR	0.068uF 50V J	
C3125	QTE1K44-106Z	E CAPACITOR	10uF 80V		C3314	QFLC1HJ-683Z	M CAPACITOR	0.068uF 50V J	
C3126	QTE1K44-106Z	E CAPACITOR	10uF 80V		C3315	QTE1H44-226Z	E CAPACITOR	22uF 50V	
C3127	QFLC1HJ-182Z	M CAPACITOR	1800pF 50V J		C3316	QTE1H44-226Z	E CAPACITOR	22uF 50V	
C3128	QFLC1HJ-182Z	M CAPACITOR	1800pF 50V J		C3321	QFN31HJ-222Z	M CAPACITOR	2200pF 50V J	
C3143	NCS31HJ-100X	C CAPACITOR	10pF 50V J		C3322	QFN31HJ-222Z	M CAPACITOR	2200pF 50V J	
C3144	NCS31HJ-100X	C CAPACITOR	10pF 50V J		C3323	QFN31HJ-122Z	M CAPACITOR	1200pF 50V J	
C3151	QEZO629-107	E.CAPA AWF	100uF		C3324	QFN31HJ-122Z	M CAPACITOR	1200pF 50V J	
C3152	QEZO629-107	E.CAPA AWF	100uF		C3325	QFN31HJ-103Z	M CAPACITOR	0.01uF 50V J	
C3153	QEZO538-476Z	C CAPACITOR	47uF		C3326	QFN31HJ-103Z	M CAPACITOR	0.01uF 50V J	
C3154	QEZO538-476Z	C CAPACITOR	47uF		C3327	QTE1K44-106Z	E CAPACITOR	10uF 80V	
C3171	NCS31HJ-101X	C CAPACITOR	100pF 50V J		C3328	QTE1K44-106Z	E CAPACITOR	10uF 80V	
C3172	NCB31HK-103X	C CAPACITOR	0.01uF 50V K		C3329	QFLC1HJ-182Z	M CAPACITOR	1800pF 50V J	
C3173	NCB31HK-103X	C CAPACITOR	0.01uF 50V K		C3330	QFLC1HJ-182Z	M CAPACITOR	1800pF 50V J	
C3174	NCB31HK-103X	C CAPACITOR	0.01uF 50V K		C3351	QEZO629-107	E.CAPA AWF	100uF	
C3175	NCB31HK-103X	C CAPACITOR	0.01uF 50V K		C3352	QEZO629-107	E.CAPA AWF	100uF	
C3179	NCF21CZ-155X	C CAPACITOR	1.5uF 16V Z		C3353	QEZO538-476Z	C CAPACITOR	47uF	
C3181	QEZO636-128	E CAPACITOR	1200uF		C3354	QEZO538-476Z	C CAPACITOR	47uF	
C3182	QEZO636-128	E CAPACITOR	1200uF		C3371	NCS31HJ-101X	C CAPACITOR	100pF 50V J	
C3183	NCF21CZ-155X	C CAPACITOR	1.5uF 16V Z		C3372	NCB31HK-103X	C CAPACITOR	0.01uF 50V K	
C3184	NCF21CZ-155X	C CAPACITOR	1.5uF 16V Z		C3373	NCB31HK-103X	C CAPACITOR	0.01uF 50V K	
C3185	NCB31AK-224X	C CAPACITOR	0.22uF 10V K		C3374	NCB31HK-103X	C CAPACITOR	0.01uF 50V K	
C3186	NCB31HK-103X	C CAPACITOR	0.01uF 50V K		C3375	NCB31HK-103X	C CAPACITOR	0.01uF 50V K	
C3187	QEZO636-128	E CAPACITOR	1200uF		C3379	NCF21CZ-155X	C CAPACITOR	1.5uF 16V Z	
C3188	NCF21CZ-155X	C CAPACITOR	1.5uF 16V Z		C3381	QEZO555-227Z	E.CAPA.PW	220uF	
C3189	NCB30JK-105X	C CAPACITOR	1uF 6.3V K		C3382	QEZO555-227Z	E.CAPA.PW	220uF	
C3197	NEA70JM-107X	E CAPACITOR	100uF 6.3V M		C3383	NCF21CZ-155X	C CAPACITOR	1.5uF 16V Z	
C3198	NCF31CZ-104X	C CAPACITOR	0.1uF 16V Z		C3384	NCF21CZ-155X	C CAPACITOR	1.5uF 16V Z	
C3201	QFLC1HJ-182Z	M CAPACITOR	1800pF 50V J		C3385	NCB31AK-224X	C CAPACITOR	0.22uF 10V K	
C3202	QFLC1HJ-182Z	M CAPACITOR	1800pF 50V J		C3386	NCB31HK-103X	C CAPACITOR	0.01uF 50V K	
C3211	QFN31HJ-181Z	M CAPACITOR	180pF 50V J		C3387	QEZO555-227Z	E.CAPA.PW	220uF	
C3212	QFN31HJ-181Z	M CAPACITOR	180pF 50V J		C3388	NCF21CZ-155X	C CAPACITOR	1.5uF 16V Z	
C3213	QFLC1HJ-683Z	M CAPACITOR	0.068uF 50V J		C3389	NCB30JK-105X	C CAPACITOR	1uF 6.3V K	
C3214	QFLC1HJ-683Z	M CAPACITOR	0.068uF 50V J		C3397	NEA70JM-107X	E CAPACITOR	100uF 6.3V M	
C3215	QTE1H44-226Z	E CAPACITOR	22uF 50V		C3398	NCF31CZ-104X	C CAPACITOR	0.1uF 16V Z	
C3216	QTE1H44-226Z	E CAPACITOR	22uF 50V		C3401	QFN31HJ-182Z	M CAPACITOR	1800pF 50V J	
C3221	QFN31HJ-222Z	M CAPACITOR	2200pF 50V J		C3402	QFN31HJ-182Z	M CAPACITOR	1800pF 50V J	
C3222	QFVJ1HJ-474Z	MF CAPACITOR	0.47uF 50V J		C3411	QFN31HJ-181Z	M CAPACITOR	180pF 50V J	
C3223	QFN31HJ-122Z	M CAPACITOR	1200pF 50V J		C3412	QFN31HJ-181Z	M CAPACITOR	180pF 50V J	
C3225	QFN31HJ-103Z	M CAPACITOR	0.01uF 50V J		C3413	QFN31HJ-683Z	M CAPACITOR	0.068uF 50V J	
C3226	QFVJ1HJ-105Z	MF CAPACITOR	1uF 50V J		C3414	QFN31HJ-683Z	M CAPACITOR	0.068uF 50V J	
C3227	QTE1K44-106Z	E CAPACITOR	10uF 80V		C3415	QTE1H44-226Z	E CAPACITOR	22uF 50V	
C3229	QFLC1HJ-182Z	M CAPACITOR	1800pF 50V J		C3416	QTE1H44-226Z	E CAPACITOR	22uF 50V	
C3230	QFLC1HJ-182Z	M CAPACITOR	1800pF 50V J		C3421	QFN31HJ-222Z	M CAPACITOR	2200pF 50V J	
C3232	QTE1K44-106Z	E CAPACITOR	10uF 80V		C3422	QFN31HJ-222Z	M CAPACITOR	2200pF 50V J	

△ Symbol No.	Part No.	Part Name	Description	Local	△ Symbol No.	Part No.	Part Name	Description	Local
C3423	QFN31HJ-122Z	M CAPACITOR	1200pF 50V J		R599	NRSA63J-104X	MG RESISTOR	100kΩ 1/16W J	
C3424	QFN31HJ-122Z	M CAPACITOR	1200pF 50V J		R1108	NRSA63J-0R0X	MG RESISTOR	0Ω 1/16W J	
C3425	QFN31HJ-103Z	M CAPACITOR	0.01uF 50V J		R1109	NRSA63J-153X	MG RESISTOR	15kΩ 1/16W J	
C3426	QFN31HJ-103Z	M CAPACITOR	0.01uF 50V J		R1110	NRSA63J-153X	MG RESISTOR	15kΩ 1/16W J	
C3427	QTE1K44-106Z	E CAPACITOR	10uF 80V		R1111	NRSA63J-153X	MG RESISTOR	15kΩ 1/16W J	
C3428	QTE1K44-106Z	E CAPACITOR	10uF 80V		R1112	NRSA63J-273X	MG RESISTOR	27kΩ 1/16W J	
C3429	QFLC1HJ-182Z	M CAPACITOR	1800pF 50V J		R1113	NRSA63J-333X	MG RESISTOR	33kΩ 1/16W J	
C3430	QFLC1HJ-182Z	M CAPACITOR	1800pF 50V J		R1114	NRSA63J-473X	MG RESISTOR	47kΩ 1/16W J	
C3451	QEZ0629-107	E.CAPA AWF	100uF		R1115	NRSA63J-0R0X	MG RESISTOR	0Ω 1/16W J	
C3452	QEZ0629-107	E.CAPA AWF	100uF		R1116	NRSA63J-183X	MG RESISTOR	18kΩ 1/16W J	
C3453	QEZ0538-476Z	C CAPACITOR	47uF		R1117	NRSA63J-183X	MG RESISTOR	18kΩ 1/16W J	
C3454	QEZ0538-476Z	C CAPACITOR	47uF		R1118	NRSA63J-183X	MG RESISTOR	18kΩ 1/16W J	
C3471	NCS31HJ-101X	C CAPACITOR	100pF 50V J		R1119	NRSA63J-273X	MG RESISTOR	27kΩ 1/16W J	
C3472	NCB31HK-103X	C CAPACITOR	0.01uF 50V K		R1120	NRSA63J-333X	MG RESISTOR	33kΩ 1/16W J	
C3473	NCB31HK-103X	C CAPACITOR	0.01uF 50V K		R1121	NRSA63J-513X	MG RESISTOR	51kΩ 1/16W J	
C3474	NCB31HK-103X	C CAPACITOR	0.01uF 50V K		R1501	NRSA63J-222X	MG RESISTOR	2.2kΩ 1/16W J	
C3475	NCB31HK-103X	C CAPACITOR	0.01uF 50V K		R1502	NRSA63J-331X	MG RESISTOR	330Ω 1/16W J	
C3476	NCF31CZ-104X	C CAPACITOR	0.1uF 16V Z		R1503	NRSA63J-272X	MG RESISTOR	2.7kΩ 1/16W J	
C3479	NCF21CZ-155X	C CAPACITOR	1.5uF 16V Z		R1504	NRSA63J-472X	MG RESISTOR	4.7kΩ 1/16W J	
C3481	QTE1C06-226Z	E CAPACITOR	22uF 16V		R1507	NRSA63J-0R0X	MG RESISTOR	0Ω 1/16W J	
C3482	QTE1C06-226Z	E CAPACITOR	22uF 16V		R1508	NRSA63J-0R0X	MG RESISTOR	0Ω 1/16W J	
C3483	NCF21CZ-155X	C CAPACITOR	1.5uF 16V Z		R1510	NRSA63J-223X	MG RESISTOR	22kΩ 1/16W J	
C3484	NCF21CZ-155X	C CAPACITOR	1.5uF 16V Z		R1511	NRSA63J-223X	MG RESISTOR	22kΩ 1/16W J	
C3485	NCB31AK-224X	C CAPACITOR	0.22uF 10V K		R1512	NRSA63J-393X	MG RESISTOR	39kΩ 1/16W J	
C3486	NCB31HK-103X	C CAPACITOR	0.01uF 50V K		R1513	NRSA63J-392X	MG RESISTOR	3.9kΩ 1/16W J	
C3487	QTE1C06-226Z	E CAPACITOR	22uF 16V		R1515	NRSA63J-184X	MG RESISTOR	180kΩ 1/16W J	
C3488	NCF21CZ-155X	C CAPACITOR	1.5uF 16V Z		R1516	NRSA63J-104X	MG RESISTOR	100kΩ 1/16W J	
C3489	NCB30JK-105X	C CAPACITOR	1uF 6.3V K		R1517	NRSA63D-822X	MG RESISTOR	8.2kΩ 1/16W D	
C3497	NEA70JM-107X	E CAPACITOR	100uF 6.3V M		R1518	NRSA63D-472X	MG RESISTOR	4.7kΩ 1/16W D	
C3498	NCF31CZ-104X	C CAPACITOR	0.1uF 16V Z		R1519	NRSA63J-223X	MG RESISTOR	22kΩ 1/16W J	
C3941	QETN1AM-107Z	E CAPACITOR	100uF 10V M		R1520	NRSA63J-153X	MG RESISTOR	15kΩ 1/16W J	
C3942	NCF31CZ-104X	C CAPACITOR	0.1uF 16V Z		R1521	NRSA63J-682X	MG RESISTOR	6.8kΩ 1/16W J	
C3943	NCB30JK-105X	C CAPACITOR	1uF 6.3V K		R1522	NRSA63J-684X	MG RESISTOR	680kΩ 1/16W J	
C3944	QETN1AM-107Z	E CAPACITOR	100uF 10V M		R1523	NRSA63J-153X	MG RESISTOR	15kΩ 1/16W J	
C3951	QETN1AM-227Z	E CAPACITOR	220uF 10V M		R1525	NRSA63J-182X	MG RESISTOR	1.8kΩ 1/16W J	
C3952	NCF31CZ-104X	C CAPACITOR	0.1uF 16V Z		R1526	NRSA63J-684X	MG RESISTOR	680kΩ 1/16W J	
C3953	NCB30JK-105X	C CAPACITOR	1uF 6.3V K		R1530	NRSA63J-750X	MG RESISTOR	75Ω 1/16W J	
C3954	QETN1AM-107Z	E CAPACITOR	100uF 10V M		R1531	NRSA63J-750X	MG RESISTOR	75Ω 1/16W J	
C3961	QEHC1EM-227Z	E CAPACITOR	220uF 25V M		R1532	NRSA63J-750X	MG RESISTOR	75Ω 1/16W J	
C3962	NCF31CZ-104X	C CAPACITOR	0.1uF 16V Z		R1533	NRSA63J-473X	MG RESISTOR	47kΩ 1/16W J	
C3963	NCB30JK-105X	C CAPACITOR	1uF 6.3V K		R1534	NRSA63J-473X	MG RESISTOR	47kΩ 1/16W J	
C3964	QETN1AM-107Z	E CAPACITOR	100uF 10V M		R1535	NRSA63J-473X	MG RESISTOR	47kΩ 1/16W J	
R501	NRSA63J-750X	MG RESISTOR	75Ω 1/16W J		R1536	NRSA63J-221X	MG RESISTOR	220Ω 1/16W J	
R502	NRSA63J-750X	MG RESISTOR	75Ω 1/16W J		R1537	NRSA63J-0R0X	MG RESISTOR	0Ω 1/16W J	
R503	NRSA63J-750X	MG RESISTOR	75Ω 1/16W J		R1538	NRSA63J-751X	MG RESISTOR	750Ω 1/16W J	
R505	NRSA63J-750X	MG RESISTOR	75Ω 1/16W J		R1539	NRSA63J-181X	MG RESISTOR	180Ω 1/16W J	
R506	NRSA63J-750X	MG RESISTOR	75Ω 1/16W J		R1540	NRSA63J-271X	MG RESISTOR	270Ω 1/16W J	
R507	NRSA63J-750X	MG RESISTOR	75Ω 1/16W J		R1541	NRSA63J-222X	MG RESISTOR	2.2kΩ 1/16W J	
R508	NRSA63J-750X	MG RESISTOR	75Ω 1/16W J		R1542	NRSA63J-821X	MG RESISTOR	820Ω 1/16W J	
R509	NRSA63J-750X	MG RESISTOR	75Ω 1/16W J		R1543	NRSA63J-182X	MG RESISTOR	1.8kΩ 1/16W J	
R510	NRSA63J-750X	MG RESISTOR	75Ω 1/16W J		R1544	NRSA63J-122X	MG RESISTOR	1.2kΩ 1/16W J	
R512	QRZ9005-150X	FUSI RESISTOR	15Ω		R1545	NRSA63J-821X	MG RESISTOR	820Ω 1/16W J	
R513	QRZ9005-150X	FUSI RESISTOR	15Ω		R1546	NRSA63J-475X	MG RESISTOR	4.7MΩ 1/16W J	
R514	QRZ9005-150X	FUSI RESISTOR	15Ω		R1547	NRSA63J-102X	MG RESISTOR	1kΩ 1/16W J	
R515	QRZ9005-150X	FUSI RESISTOR	15Ω		R3001	NRSA63J-104X	MG RESISTOR	100kΩ 1/16W J	
R516	QRZ9005-150X	FUSI RESISTOR	15Ω		R3002	NRSA63J-104X	MG RESISTOR	100kΩ 1/16W J	
R517	QRZ9005-150X	FUSI RESISTOR	15Ω		R3003	NRSA63J-103X	MG RESISTOR	10kΩ 1/16W J	
R561	NRSA63J-750X	MG RESISTOR	75Ω 1/16W J		R3004	NRSA63J-103X	MG RESISTOR	10kΩ 1/16W J	
R562	NRSA63J-750X	MG RESISTOR	75Ω 1/16W J		R3005	NRSA63J-562X	MG RESISTOR	5.6kΩ 1/16W J	
R563	NRSA63J-750X	MG RESISTOR	75Ω 1/16W J		R3006	NRSA63J-562X	MG RESISTOR	5.6kΩ 1/16W J	
R564	NRSA63J-750X	MG RESISTOR	75Ω 1/16W J		R3007	NRSA63J-103X	MG RESISTOR	10kΩ 1/16W J	
R565	QRZ9005-150X	FUSI RESISTOR	15Ω		R3008	NRSA63J-103X	MG RESISTOR	10kΩ 1/16W J	
R566	QRZ9005-150X	FUSI RESISTOR	15Ω		R3009	NRSA63J-103X	MG RESISTOR	10kΩ 1/16W J	
R571	NRSA63J-102X	MG RESISTOR	1kΩ 1/16W J		R3010	NRSA63J-103X	MG RESISTOR	10kΩ 1/16W J	
R572	NRSA63J-102X	MG RESISTOR	1kΩ 1/16W J		R3011	NRSA63J-220X	MG RESISTOR	22Ω 1/16W J	
R573	NRSA63J-102X	MG RESISTOR	1kΩ 1/16W J		R3012	NRSA63J-220X	MG RESISTOR	22Ω 1/16W J	
R574	NRSA63J-102X	MG RESISTOR	1kΩ 1/16W J		R3013	NRSA63J-220X	MG RESISTOR	22Ω 1/16W J	
R575	NRSA63J-102X	MG RESISTOR	1kΩ 1/16W J		R3014	NRSA63J-220X	MG RESISTOR	22Ω 1/16W J	
R576	NRSA63J-102X	MG RESISTOR	1kΩ 1/16W J		R3022	NRSA63J-103X	MG RESISTOR	10kΩ 1/16W J	
R591	NRSA63J-222X	MG RESISTOR	2.2kΩ 1/16W J		R3023	NRSA63J-103X	MG RESISTOR	10kΩ 1/16W J	
R592	NRSA63J-103X	MG RESISTOR	10kΩ 1/16W J		R3024	NRSA63J-103X	MG RESISTOR	10kΩ 1/16W J	
R593	NRSA63J-104X	MG RESISTOR	100kΩ 1/16W J		R3025	NRSA63J-221X	MG RESISTOR	220Ω 1/16W J	
R594	NRSA63J-222X	MG RESISTOR	2.2kΩ 1/16W J		R3026	NRSA63J-221X	MG RESISTOR	220Ω 1/16W J	
R595	NRSA63J-103X	MG RESISTOR	10kΩ 1/16W J		R3027	NRSA63J-221X	MG RESISTOR	220Ω 1/16W J	
R596	NRSA63J-104X	MG RESISTOR	100kΩ 1/16W J		R3028	NRSA63J-103X	MG RESISTOR	10kΩ 1/16W J	
R597	NRSA63J-222X	MG RESISTOR	2.2kΩ 1/16W J		R3029	NRSA63J-103X	MG RESISTOR	10kΩ 1/16W J	
R598	NRSA63J-103X	MG RESISTOR	10kΩ 1/16W J		R3031	NRSA63J-102X	MG RESISTOR	1kΩ 1/16W J	
					R3032	NRSA63J-102X	MG RESISTOR	1kΩ 1/16W J	



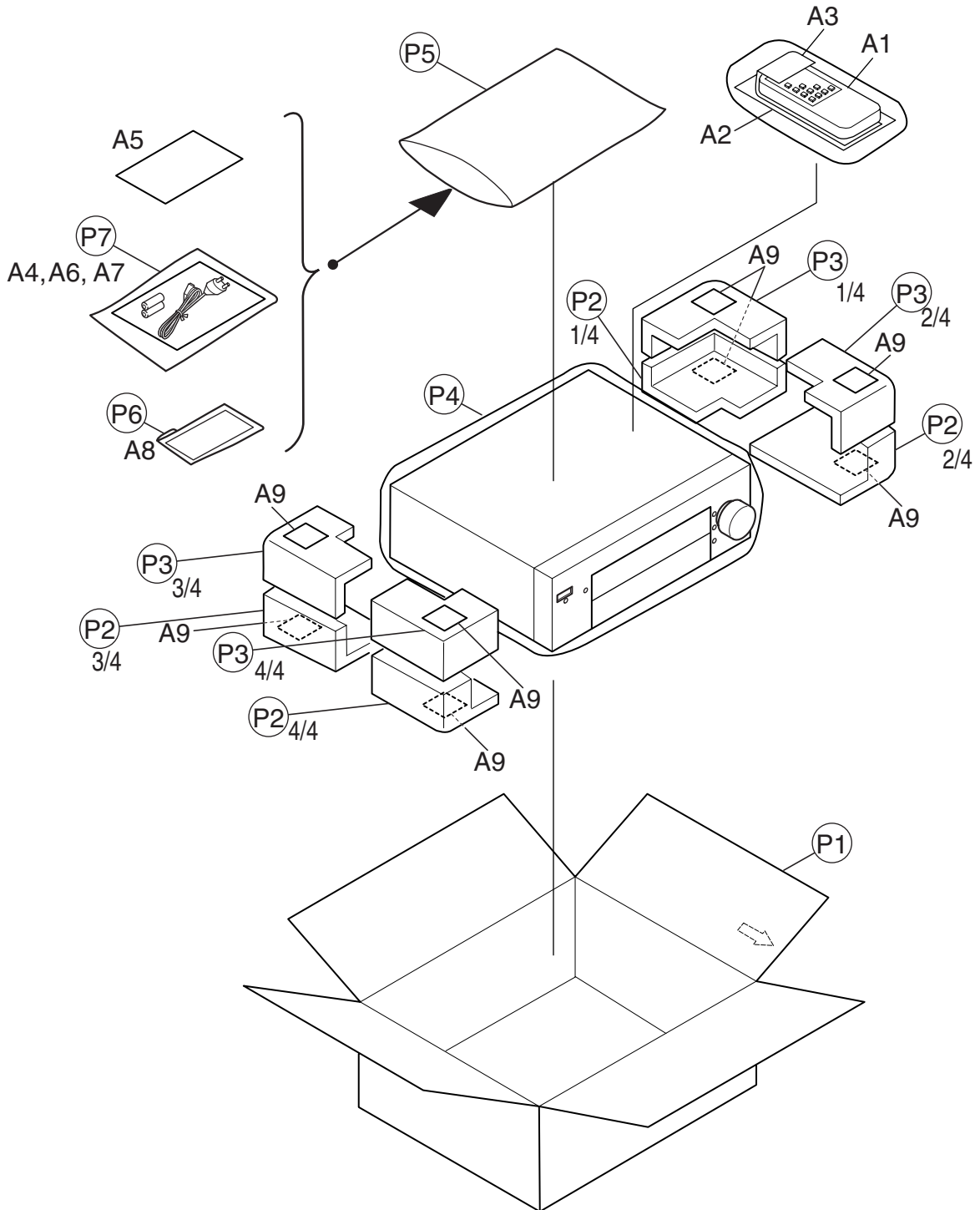
△ Symbol No.	Part No.	Part Name	Description	Local	△ Symbol No.	Part No.	Part Name	Description	Local
R3308	QRV12DF-1602	CMF RESISTOR	16kΩ 1/2W F		R3433	NRSA63J-103X	MG RESISTOR	10kΩ 1/16W J	
R3309	NRSA63J-362X	MG RESISTOR	3.6kΩ 1/16W J		R3434	NRSA63J-103X	MG RESISTOR	10kΩ 1/16W J	
R3310	NRSA63J-362X	MG RESISTOR	3.6kΩ 1/16W J		R3435	NRSA63J-302X	MG RESISTOR	3kΩ 1/16W J	
R3311	NRSA63J-163X	MG RESISTOR	16kΩ 1/16W J		R3436	NRSA63J-302X	MG RESISTOR	3kΩ 1/16W J	
R3312	NRSA63J-163X	MG RESISTOR	16kΩ 1/16W J		R3439	NRSA63J-104X	MG RESISTOR	100kΩ 1/16W J	
R3313	NRSA63J-162X	MG RESISTOR	1.6kΩ 1/16W J		R3440	NRSA63J-104X	MG RESISTOR	100kΩ 1/16W J	
R3314	NRSA63J-162X	MG RESISTOR	1.6kΩ 1/16W J		R3441	NRSA63J-561X	MG RESISTOR	560Ω 1/16W J	
R3315	NRSA63J-182X	MG RESISTOR	1.8kΩ 1/16W J		R3442	NRSA63J-561X	MG RESISTOR	560Ω 1/16W J	
R3316	NRSA63J-182X	MG RESISTOR	1.8kΩ 1/16W J		R3451	NRSA63J-472X	MG RESISTOR	4.7kΩ 1/16W J	
R3321	NRSA63J-561X	MG RESISTOR	560Ω 1/16W J		R3452	NRSA63J-472X	MG RESISTOR	4.7kΩ 1/16W J	
R3322	NRSA63J-561X	MG RESISTOR	560Ω 1/16W J		R3457	NRSA63J-332X	MG RESISTOR	3.3kΩ 1/16W J	
R3323	NRSA63J-471X	MG RESISTOR	470Ω 1/16W J		R3458	NRSA63J-332X	MG RESISTOR	3.3kΩ 1/16W J	
R3324	NRSA63J-471X	MG RESISTOR	470Ω 1/16W J		R3461	NRSA63J-103X	MG RESISTOR	10kΩ 1/16W J	
R3325	NRSA63J-105X	MG RESISTOR	1MΩ 1/16W J		R3462	NRSA63J-103X	MG RESISTOR	10kΩ 1/16W J	
R3326	NRSA63J-105X	MG RESISTOR	1MΩ 1/16W J		R3463	NRSA63J-105X	MG RESISTOR	1MΩ 1/16W J	
R3327	NRSA63J-473X	MG RESISTOR	47kΩ 1/16W J		R3471	NRSA63J-221X	MG RESISTOR	220Ω 1/16W J	
R3328	NRSA63J-473X	MG RESISTOR	47kΩ 1/16W J		R3472	NRSA63J-221X	MG RESISTOR	220Ω 1/16W J	
R3331	NRSA63J-432X	MG RESISTOR	4.3kΩ 1/16W J		R3473	NRSA63J-221X	MG RESISTOR	220Ω 1/16W J	
R3332	NRSA63J-432X	MG RESISTOR	4.3kΩ 1/16W J		R3474	NRSA63J-221X	MG RESISTOR	220Ω 1/16W J	
R3333	NRSA63J-103X	MG RESISTOR	10kΩ 1/16W J		R3475	NRSA63J-101X	MG RESISTOR	100Ω 1/16W J	
R3334	NRSA63J-103X	MG RESISTOR	10kΩ 1/16W J		R3476	NRSA63J-470X	MG RESISTOR	47Ω 1/16W J	
R3335	NRSA63J-302X	MG RESISTOR	3kΩ 1/16W J		R3477	NRSA63J-470X	MG RESISTOR	47Ω 1/16W J	
R3336	NRSA63J-302X	MG RESISTOR	3kΩ 1/16W J		R3478	NRSA63J-101X	MG RESISTOR	100Ω 1/16W J	
R3339	NRSA63J-104X	MG RESISTOR	100kΩ 1/16W J		R3479	NRSA63J-101X	MG RESISTOR	100Ω 1/16W J	
R3340	NRSA63J-104X	MG RESISTOR	100kΩ 1/16W J		R3480	NRSA63J-101X	MG RESISTOR	100Ω 1/16W J	
R3341	NRSA63J-561X	MG RESISTOR	560Ω 1/16W J		R3481	QRJ146J-101X	UNF C RESISTOR	100Ω 1/4W J	
R3342	NRSA63J-561X	MG RESISTOR	560Ω 1/16W J		R3482	QRJ146J-101X	UNF C RESISTOR	100Ω 1/4W J	
R3351	NRSA63J-472X	MG RESISTOR	4.7kΩ 1/16W J		R3483	QRJ146J-101X	UNF C RESISTOR	100Ω 1/4W J	
R3352	NRSA63J-472X	MG RESISTOR	4.7kΩ 1/16W J		R3484	QRJ146J-101X	UNF C RESISTOR	100Ω 1/4W J	
R3353	NRSA63J-474X	MG RESISTOR	470kΩ 1/16W J		R3485	NRSA63J-332X	MG RESISTOR	3.3kΩ 1/16W J	
R3357	NRSA63J-332X	MG RESISTOR	3.3kΩ 1/16W J		R3486	NRSA63J-561X	MG RESISTOR	560Ω 1/16W J	
R3358	NRSA63J-332X	MG RESISTOR	3.3kΩ 1/16W J		R3487	NRSA63J-561X	MG RESISTOR	560Ω 1/16W J	
R3361	NRSA63J-103X	MG RESISTOR	10kΩ 1/16W J		R3488	NRSA63J-221X	MG RESISTOR	220Ω 1/16W J	
R3362	NRSA63J-103X	MG RESISTOR	10kΩ 1/16W J		R3489	NRSA63J-221X	MG RESISTOR	220Ω 1/16W J	
R3363	NRSA63J-105X	MG RESISTOR	1MΩ 1/16W J		R3490	NRSA63J-221X	MG RESISTOR	220Ω 1/16W J	
R3371	NRSA63J-221X	MG RESISTOR	220Ω 1/16W J		R3492	NRSA63J-0R0X	MG RESISTOR	0Ω 1/16W J	
R3372	NRSA63J-221X	MG RESISTOR	220Ω 1/16W J		R3551	NRSA63J-470X	MG RESISTOR	47Ω 1/16W J	
R3373	NRSA63J-221X	MG RESISTOR	220Ω 1/16W J		R3552	NRSA63J-470X	MG RESISTOR	47Ω 1/16W J	
R3374	NRSA63J-221X	MG RESISTOR	220Ω 1/16W J		R3553	NRSA63J-470X	MG RESISTOR	47Ω 1/16W J	
R3375	NRSA63J-101X	MG RESISTOR	100Ω 1/16W J		R3554	NRSA63J-470X	MG RESISTOR	47Ω 1/16W J	
R3376	NRSA63J-470X	MG RESISTOR	47Ω 1/16W J						
R3377	NRSA63J-470X	MG RESISTOR	47Ω 1/16W J		CN501	QGB2510K1-10	CONNECTOR	B-B (1-10)	
R3381	QRJ146J-101X	UNF C RESISTOR	100Ω 1/4W J		CN502	QGF1205F1-16	CONNECTOR	FFC/FPC (1-16)	
R3382	QRJ146J-101X	UNF C RESISTOR	100Ω 1/4W J		CN561	QGB2510K1-05	CONNECTOR	B-B (1-5)	
R3383	QRJ146J-101X	UNF C RESISTOR	100Ω 1/4W J		CN562	QGF1205F1-16	CONNECTOR	FFC/FPC (1-16)	
R3384	QRJ146J-101X	UNF C RESISTOR	100Ω 1/4W J		CN631	QGA2001F1-09	CONNECTOR	W-B (1-9)	
R3385	NRSA63J-332X	MG RESISTOR	3.3kΩ 1/16W J		CN633	QGB2510K1-04	CONNECTOR	B-B (1-4)	
R3386	NRSA63J-561X	MG RESISTOR	560Ω 1/16W J		CN643	QGB2510K1-04	CONNECTOR	B-B (1-4)	
R3387	NRSA63J-561X	MG RESISTOR	560Ω 1/16W J		CN651	QGB1220L1-21	CONNECTOR	B-B (1-21)	
R3388	NRSA63J-221X	MG RESISTOR	220Ω 1/16W J		CN652	QGF1016C1-21	CONNECTOR	FFC/FPC (1-21)	
R3389	NRSA63J-221X	MG RESISTOR	220Ω 1/16W J		FS181	VYH8231-006	SPACER		
R3390	NRSA63J-221X	MG RESISTOR	220Ω 1/16W J		FS182	VYH8231-006	SPACER		
R3401	NRSA63J-243X	MG RESISTOR	24kΩ 1/16W J		FS187	VYH8231-006	SPACER		
R3402	NRSA63J-243X	MG RESISTOR	24kΩ 1/16W J		FS281	VYH8231-006	SPACER		
R3403	NRSA63J-243X	MG RESISTOR	24kΩ 1/16W J		FS282	VYH8231-006	SPACER		
R3404	NRSA63J-243X	MG RESISTOR	24kΩ 1/16W J		J501	QNN0542-001	SURROUND JACK		
R3405	QRV12DF-1602	CMF RESISTOR	16kΩ 1/2W F		J502	QNN0542-001	SURROUND JACK		
R3406	QRV12DF-1602	CMF RESISTOR	16kΩ 1/2W F		J503	QNN0542-001	SURROUND JACK		
R3407	QRV12DF-1602	CMF RESISTOR	16kΩ 1/2W F		J561	QNZ0499-001	D CONNECTOR		
R3408	QRV12DF-1602	CMF RESISTOR	16kΩ 1/2W F		J562	QNZ0499-001	D CONNECTOR		
R3409	NRSA63J-362X	MG RESISTOR	3.6kΩ 1/16W J		J563	QNZ0499-001	D CONNECTOR		
R3410	NRSA63J-362X	MG RESISTOR	3.6kΩ 1/16W J		K3181	NQR0229-001X	FERRITE BEADS		
R3411	NRSA63J-163X	MG RESISTOR	16kΩ 1/16W J		K3182	NQR0229-001X	FERRITE BEADS		
R3412	NRSA63J-163X	MG RESISTOR	16kΩ 1/16W J		K3183	NQR0229-001X	FERRITE BEADS		
R3413	NRSA63J-162X	MG RESISTOR	1.6kΩ 1/16W J		K3184	NQR0229-001X	FERRITE BEADS		
R3414	NRSA63J-162X	MG RESISTOR	1.6kΩ 1/16W J		K3281	NQR0229-001X	FERRITE BEADS		
R3415	NRSA63J-182X	MG RESISTOR	1.8kΩ 1/16W J		K3282	NQR0229-001X	FERRITE BEADS		
R3416	NRSA63J-182X	MG RESISTOR	1.8kΩ 1/16W J		K3283	NQR0229-001X	FERRITE BEADS		
R3421	NRSA63J-561X	MG RESISTOR	560Ω 1/16W J		K3284	NQR0229-001X	FERRITE BEADS		
R3422	NRSA63J-561X	MG RESISTOR	560Ω 1/16W J		K3381	NQR0229-001X	FERRITE BEADS		
R3423	NRSA63J-471X	MG RESISTOR	470Ω 1/16W J		K3382	NQR0229-001X	FERRITE BEADS		
R3424	NRSA63J-471X	MG RESISTOR	470Ω 1/16W J		K3383	NQR0229-001X	FERRITE BEADS		
R3425	NRSA63J-105X	MG RESISTOR	1MΩ 1/16W J		K3384	NQR0229-001X	FERRITE BEADS		
R3426	NRSA63J-105X	MG RESISTOR	1MΩ 1/16W J		K3481	NQR0229-001X	FERRITE BEADS		
R3427	NRSA63J-473X	MG RESISTOR	47kΩ 1/16W J		K3482	NQR0229-001X	FERRITE BEADS		
R3428	NRSA63J-473X	MG RESISTOR	47kΩ 1/16W J		K3483	NQR0229-001X	FERRITE BEADS		
R3431	NRSA63J-432X	MG RESISTOR	4.3kΩ 1/16W J		K3484	NQR0229-001X	FERRITE BEADS		
R3432	NRSA63J-432X	MG RESISTOR	4.3kΩ 1/16W J		LC635	NQR0450-001X	EMI FILTER	0.022uF 50V M	

Symbol No.	Part No.	Part Name	Description	Local
LC640	NQR0450-001X	EMI FILTER	0.022uF 50V M	
LC645	NQR0450-001X	EMI FILTER	0.022uF 50V M	
LC650	NQR0450-001X	EMI FILTER	0.022uF 50V M	
RY501	QSK0150-001	RELAY		
RY502	QSK0150-001	RELAY		
RY503	QSK0150-001	RELAY		
RY504	QSK0150-001	RELAY		
RY505	QSK0150-001	RELAY		
RY506	QSK0150-001	RELAY		
RY561	QSK0150-001	RELAY		
RY562	QSK0150-001	RELAY		
S1009	NSW0059-001X	TACT SW		
S1010	NSW0059-001X	TACT SW		
S1011	NSW0059-001X	TACT SW		
S1012	NSW0059-001X	TACT SW		
S1013	NSW0059-001X	TACT SW		
S1014	NSW0059-001X	TACT SW		
S1016	NSW0059-001X	TACT SW		
S1017	NSW0059-001X	TACT SW		
S1018	NSW0059-001X	TACT SW		
S1019	NSW0059-001X	TACT SW		
S1020	NSW0059-001X	TACT SW		
S1021	NSW0059-001X	TACT SW		
WR632	QJK016-124600	SIN CR C-B WIRE		
X501	QAX0529-001	C RESONATOR	500.00kHz	
X502	QAX0703-001Z	CRYSTAL	3.579545MHz	
X3001	NAX0435-001X	CRYSTAL	24.576MHz	

< MEMO >

# Packing materials and accessories parts list

Block No. M 3 M M





## Packing and accessories

Block No. [M][3][M][M]

△ Symbol No.	Part No.	Part Name	Description	Local
A 1	RM-SAXV8000U	REMOCON		
A 2	LV42570-001A	SHEET		
A 3	LV30256-007A	SHEET		
A 4	-----	AL BATTERY	(x2)	
A 5	BT-56013-1	WARRANTY CARD		
△ A 6	QMPS290-200-JC	POWER CORD	2m BLACK	
A 7	LV30256-013A	SHEET		
A 8	LV32823-004A	COVER ASSY		
A 9	LV43644-001A	LABEL	(x8)	
P 1	LV21378-013A	CARTON BOX		
P 2	LV21069-001A	CUSHION		
P 3	LV21070-001A	CUSHION		
P 4	QPC08008015P	POLY BAG	80cm x 80cm	
P 5	QPA02503505P	POLY BAG	25cm x 35cm	
P 6	QPC00501205	POLY BAG	5cm x 12cm	
P 7	QPA02503505P	POLY BAG	25cm x 35cm	